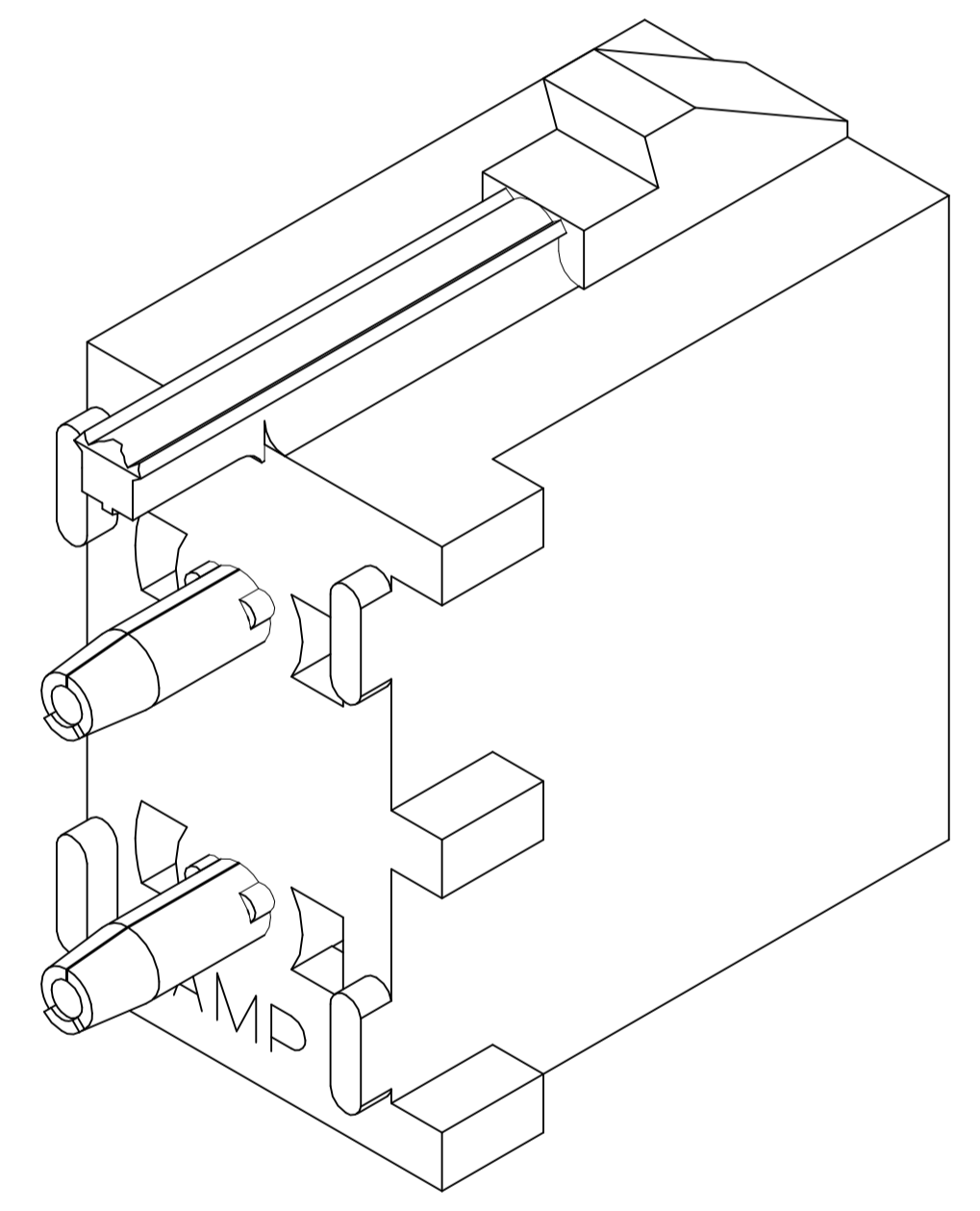
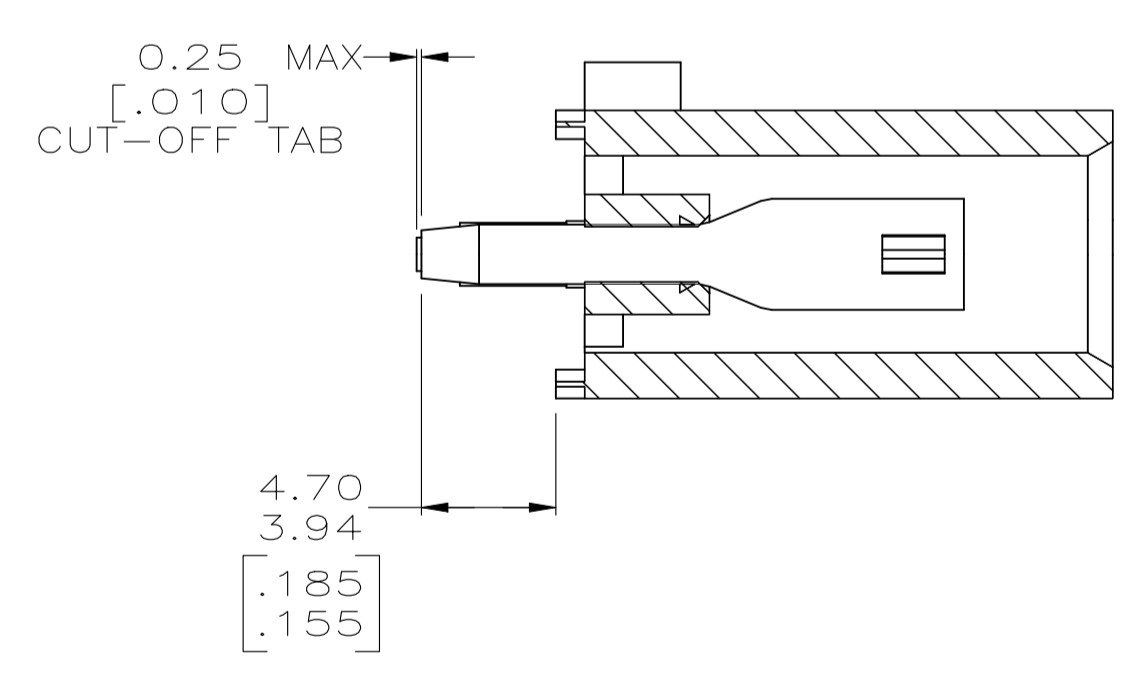
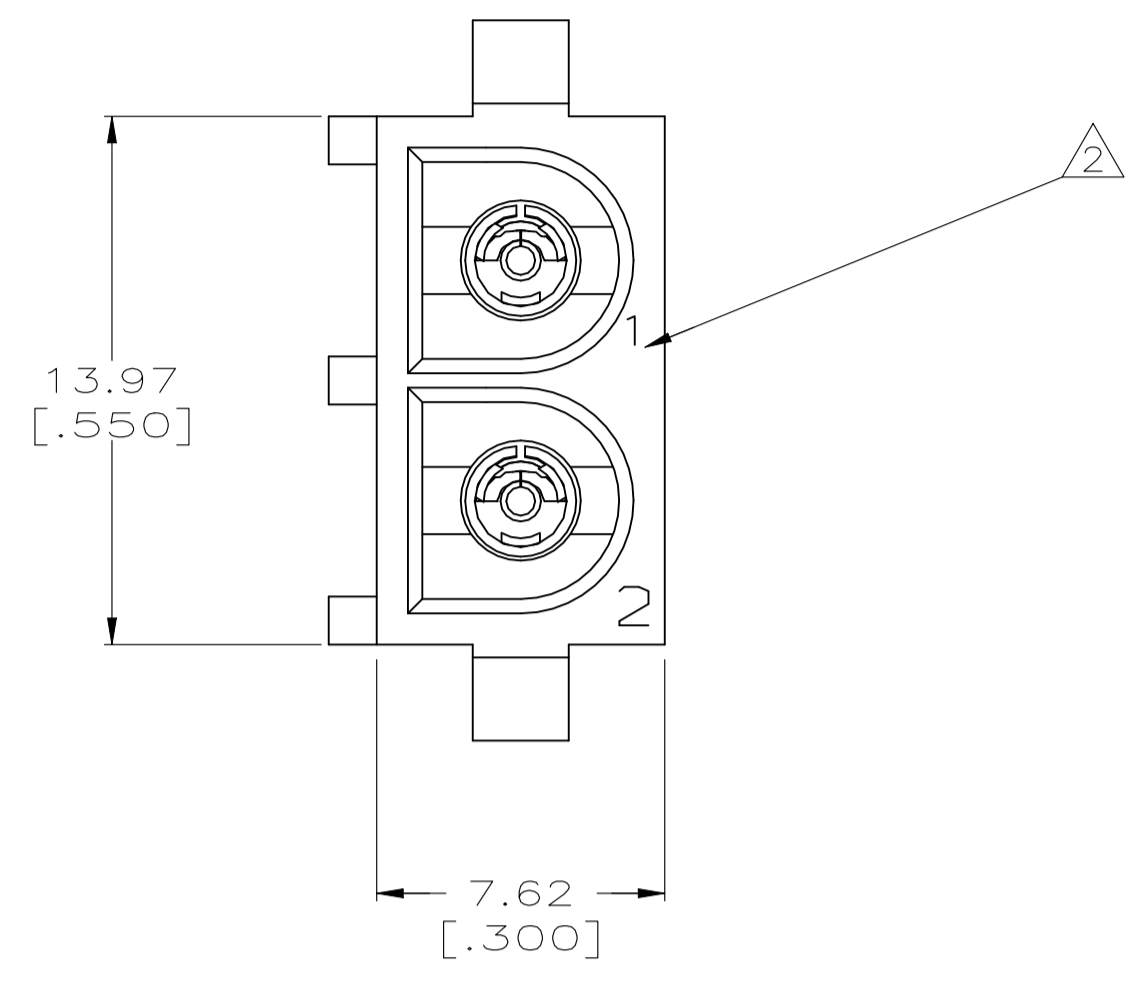
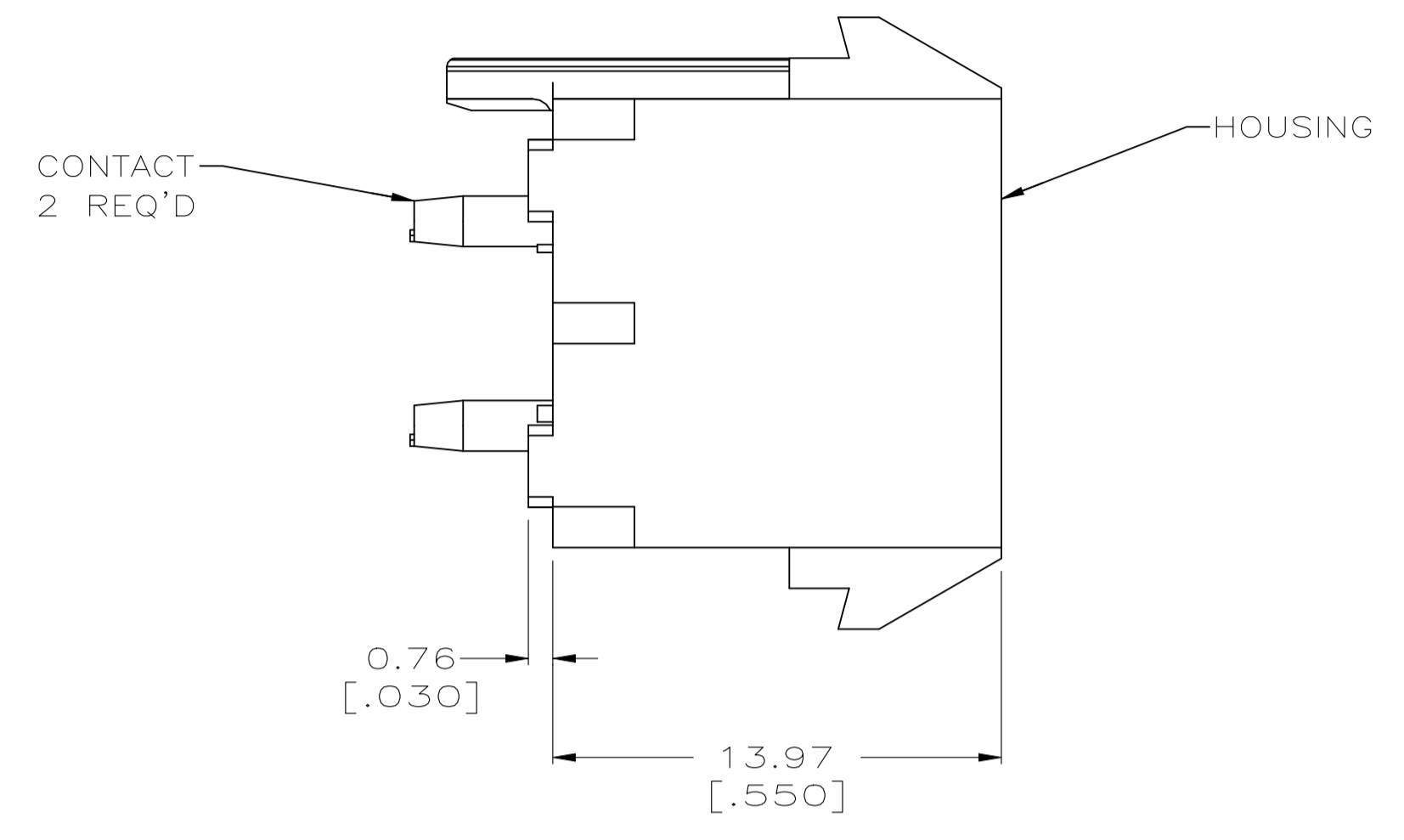
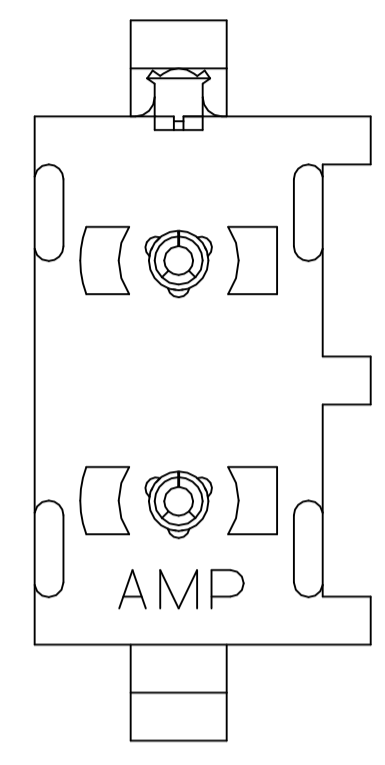
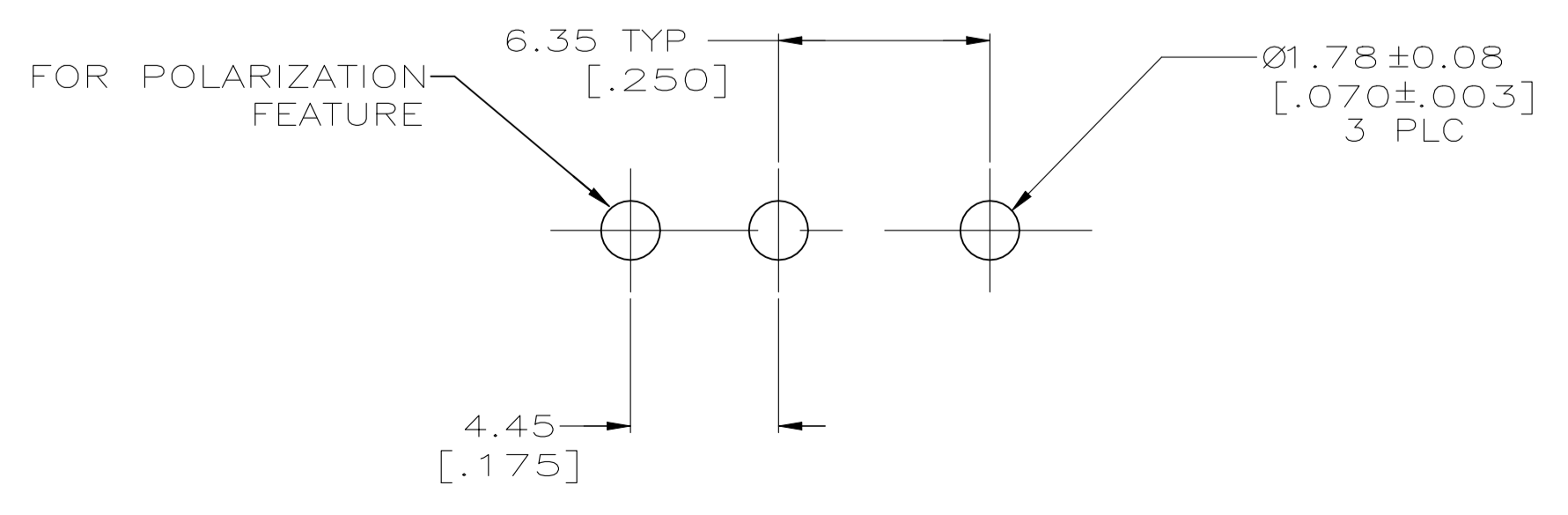


REVISIONS					
REV	DESCRIPTION	DATE	BY	CHK	APP'D
H1	REVISED PER ECR-21-117154	01AUG2022	SM	VS	

- PARTS COMPLY TO AMP SOLDERABILITY SPECIFICATION 109-11-3.
- CIRCUIT IDENTIFICATION CHARACTERS ARE ADJACENT TO THE INDICATED CAVITIES, BUT LOCATION AND ORIENTATION MAY DIFFER FROM PRINT.
- DIMENSIONS IN BRACKETS ARE IN INCHES.
- DIMENSIONS SHOWN REPRESENT PRODUCT IN DRY CONDITION. ADDITIONAL 2% GROWTH DUE TO END USE LOCATION MOISTURE ABSORPTION MAY OCCUR AND SHOULD BE ACCOUNTED FOR.



3-DIMENSIONAL MODEL NTS



RECOMMENDED MOUNTING HOLE PATTERN FOR 1.57 [.062] THICK P.C. BOARD

PHOSPHOR BRONZE, PRE-TIN PIN CONTACT MATERIAL AND FINISH	NYLON, UL94V-2,NATURAL HOUSING MATERIAL	643411-1 PART NO												
THIS DRAWING IS A CONTROLLED DOCUMENT.														
DIMENSIONS: mm [NCHES]	TOLERANCES UNLESS OTHERWISE SPECIFIED:	<table border="1"> <tr> <td>0. PLC</td> <td>± -</td> </tr> <tr> <td>1. PLC</td> <td>± -</td> </tr> <tr> <td>2. PLC</td> <td>± 0.13 [.005]</td> </tr> <tr> <td>3. PLC</td> <td>± -</td> </tr> <tr> <td>4. PLC</td> <td>± -</td> </tr> <tr> <td>ANGLES</td> <td>± 0° 30'</td> </tr> </table>	0. PLC	± -	1. PLC	± -	2. PLC	± 0.13 [.005]	3. PLC	± -	4. PLC	± -	ANGLES	± 0° 30'
0. PLC	± -													
1. PLC	± -													
2. PLC	± 0.13 [.005]													
3. PLC	± -													
4. PLC	± -													
ANGLES	± 0° 30'													
MATERIAL SEE TABLE	FINISH SEE TABLE	<table border="1"> <tr> <td>REV</td> <td>DESCRIPTION</td> <td>DATE</td> <td>BY</td> <td>CHK</td> <td>APP'D</td> </tr> <tr> <td>H1</td> <td>REVISED PER ECR-21-117154</td> <td>01AUG2022</td> <td>SM</td> <td>VS</td> <td></td> </tr> </table>	REV	DESCRIPTION	DATE	BY	CHK	APP'D	H1	REVISED PER ECR-21-117154	01AUG2022	SM	VS	
REV	DESCRIPTION	DATE	BY	CHK	APP'D									
H1	REVISED PER ECR-21-117154	01AUG2022	SM	VS										
<p><b>METRIC</b></p>		<table border="1"> <tr> <td>SIZE</td> <td>CAGE CODE</td> <td>DRAWING NO</td> <td>RESTRICTED TO</td> </tr> <tr> <td>A1</td> <td>00779</td> <td>643411</td> <td>-</td> </tr> </table>	SIZE	CAGE CODE	DRAWING NO	RESTRICTED TO	A1	00779	643411	-				
SIZE	CAGE CODE	DRAWING NO	RESTRICTED TO											
A1	00779	643411	-											
CUSTOMER DRAWING		SCALE 5:1 SHEET 1 OF 1 REV H1												