

4

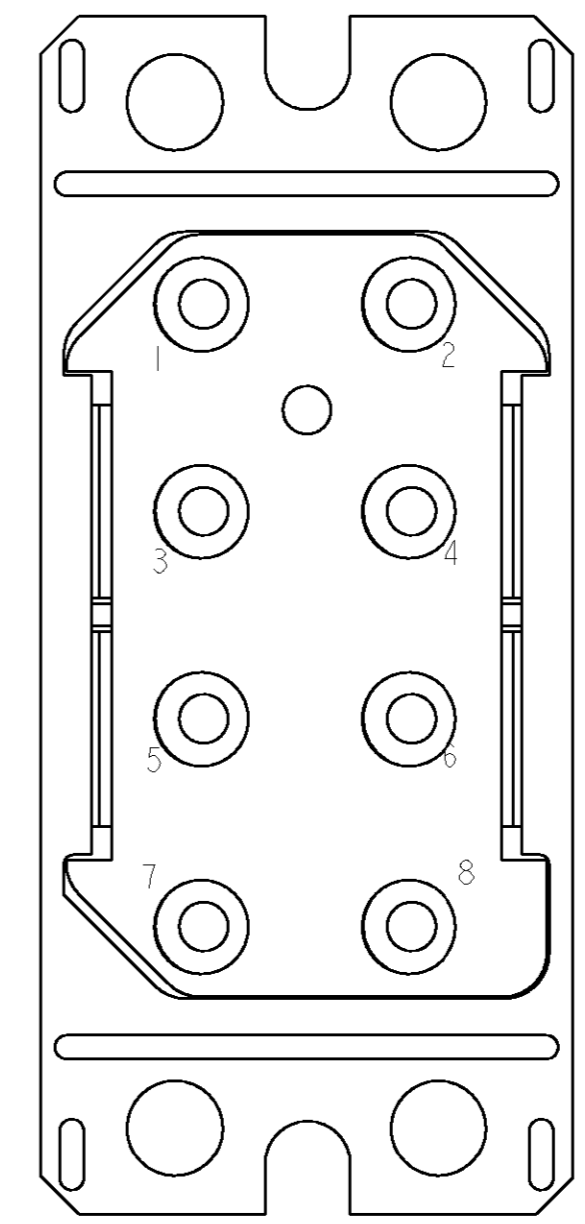
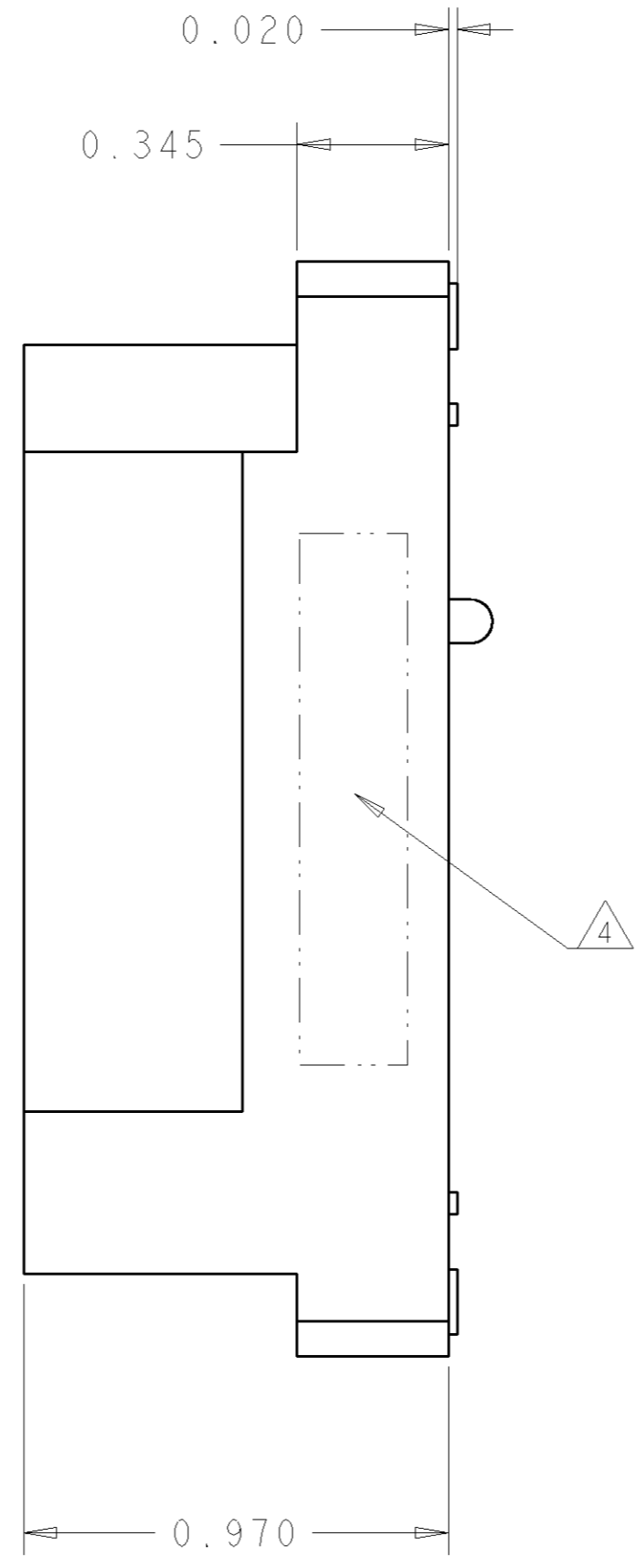
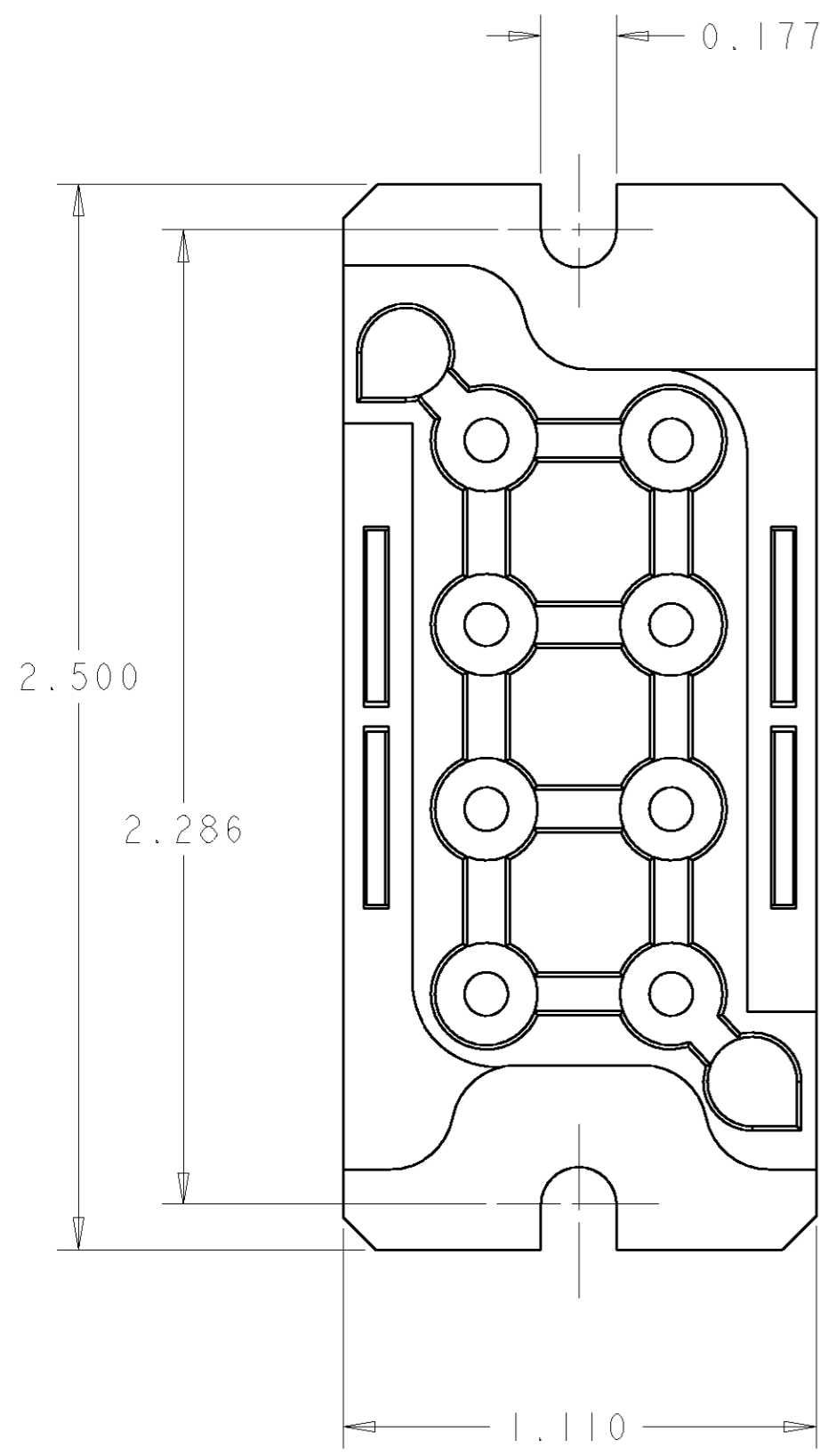
3

2

1

THIS DRAWING IS UNPUBLISHED. RELEASED FOR PUBLICATION 20  
 © COPYRIGHT 20 BY TYCO ELECTRONICS CORPORATION. ALL RIGHTS RESERVED.

LOC	DIST	REVISIONS			
P	LTR	DESCRIPTION	DATE	DWN	APVD
GP	00	A	RELEASED	11OCT2006	RG DO
		B	REV PER ECO-07-001519	22JAN2007	RG DO



PIN CONTACT **(B)** **(C)**  
 SIZE #12

REAR VIEW

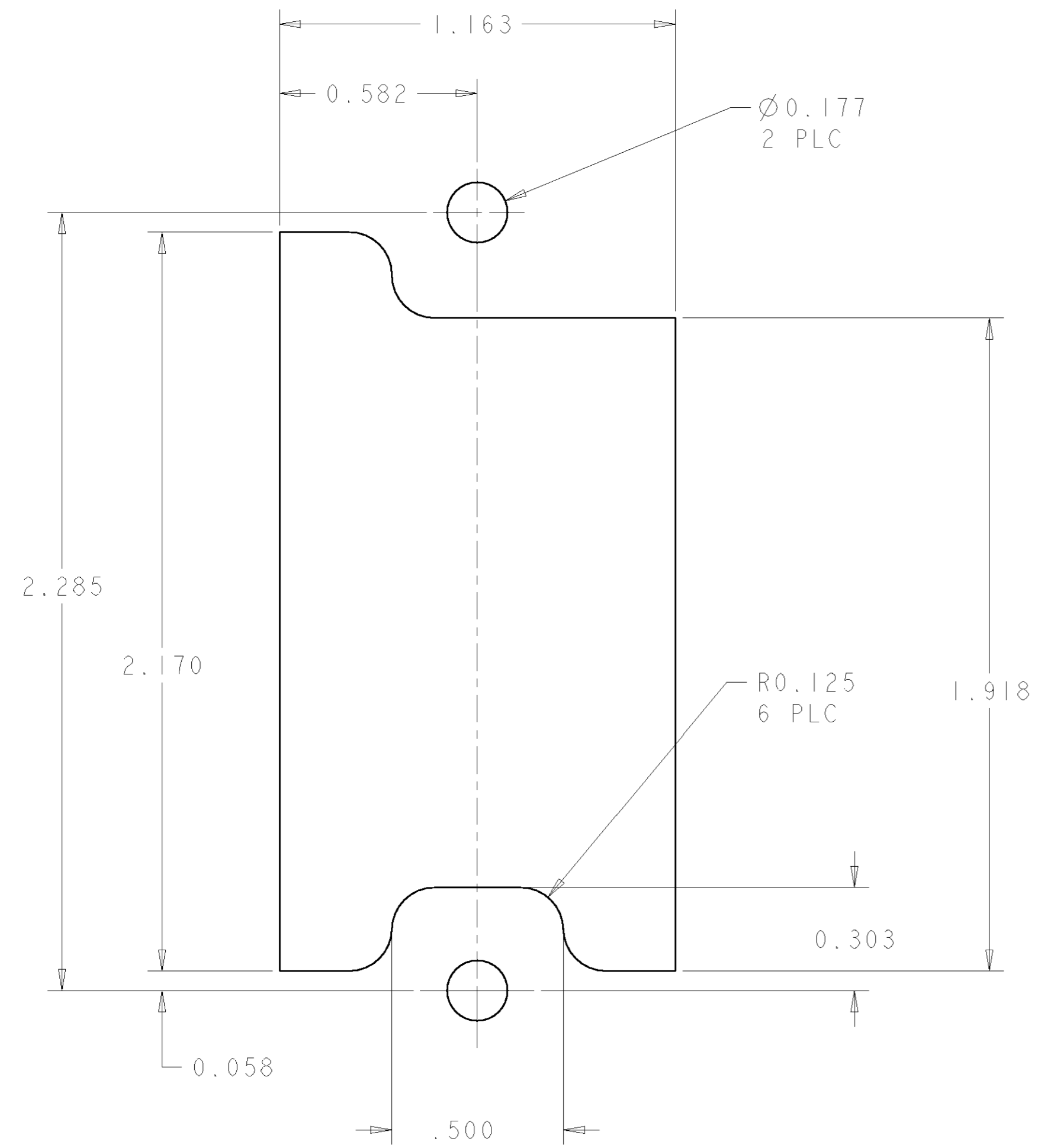
AS SHOWN	6643099-1
DESCRIPTION	PART NUMBER

**ELCON HV8P DRAWER**

<small>THIS DRAWING IS A CONTROLLED DOCUMENT FOR TYCO ELECTRONICS CORPORATION. IT IS SUBJECT TO CHANGE AND THE CONTROLLING ENGINEERING ORGANIZATION SHOULD BE CONTACTED FOR THE LATEST REVISION.</small>		DWN R. GRZYBOWSKI 11OCT06 CHK D. ORRIS 11OCT06 APVD S. FLICKINGER 11OCT06	<b>tyco</b> Tyco Electronics <b>Electronics</b> Harrisburg, PA 17105-3608
DIMENSIONS: INCHES [mm]	TOLERANCES UNLESS OTHERWISE SPECIFIED: 0 PLC ± 1 PLC ± 2 PLC ±.01 [.3] 3 PLC ±.006 [.15] 4 PLC ± ANGLES ±.5 FINISH	PRODUCT SPEC - APPLICATION SPEC - WEIGHT -	NAME CONNECTOR ASSEMBLY, PIN SIZE #12 CONTACT, CUSTOM DRAWER SIZE A2 CAGE CODE 00779C DRAWING NO 6643099 RESTRICTED TO - SCALE 3:1 SHEET 1 OF 2 REV B
MATERIAL -		CUSTOMER DRAWING	

THIS DRAWING IS UNPUBLISHED. RELEASED FOR PUBLICATION 20  
 © COPYRIGHT 20 BY TYCO ELECTRONICS CORPORATION. ALL RIGHTS RESERVED.

LOC	DIST	REVISIONS					
GP	00	P	LTR	DESCRIPTION	DATE	DWN	APVD
		-		SEE SHEET 1	-	-	-



PANEL CUTOUT  
 VIEWED FROM CONNECTOR MOUNTING SIDE

- PART NUMBER CHANGES AND OR DESIGN CHANGES AFFECTING THE INTERCHANGEABILITY REQUIRE PRIOR TYCO APPROVAL AND AUTHORIZATION BY REVISION TO THIS DRAWING.
- MATERIAL:  
 INSULATOR: THERMOPLASTIC, GLASS REINFORCED, FLAMMABILITY RATED, COLOR: BLACK  
 PIN CONTACT: COPPER ALLOY  
 RETENTION CLIP: COPPER ALLOY
- FINISH:  
 CONTACTS: SILVER PLATE .000200 MIN. THK. OVER NICKEL  
 .000040 MIN. THK.

4. ITEMS PROVIDED TO THIS SPECIFICATION TO BE PERMANENTLY IDENTIFIED PER THE FOLLOWING IDENTIFIER:
- YEAR | WEEK
- TYCO PART NUMBER                      DATE CODE (e.g. 0216)
- XXXXXXXX-X                                      XXXX
5. CRIMP CONTACTS (ITEMS B & C) SHALL BE PACKAGED SEPARATELY AND PLACED IN THE BOX WITH THE CONN. ASSEMBLY.

5	C	1	1766195-1	CONTACT, PIN, #12, CRIMP, PREMATE
5	B	6	1766193-1	CONTACT, PIN, #12, CRIMP, STD
	A	1	1648127-2	PIN, CONNECTOR ASSY
	ITEM	-1	PART NUMBER	DESCRIPTION

<small>THIS DRAWING IS A CONTROLLED DOCUMENT FOR TYCO ELECTRONICS CORPORATION. IT IS SUBJECT TO CHANGE AND THE CONTROLLING ENGINEERING ORGANIZATION SHOULD BE CONTACTED FOR THE LATEST REVISION.</small>		DWN R.GRZYBOWSKI 11OCT06 CHK D.ORRIS 11OCT06 APVD S.FLICKINGER 11OCT06	<b>tyco</b> Electronics Tyco Electronics Harrisburg, PA 17105-3608
DIMENSIONS: INCHES [mm]	TOLERANCES UNLESS OTHERWISE SPECIFIED: 0 PLC ± 1 PLC ± 2 PLC ±.01 [.3] 3 PLC ±.006 [.15] 4 PLC ± ANGLES ±.5 FINISH	NAME CONNECTOR ASSEMBLY, PIN SIZE #12 CONTACT, CUSTOM DRAWER	SIZE CAGE CODE DRAWING NO RESTRICTED TO A200779C-6643099 -
MATERIAL		WEIGHT	SCALE 3:1 SHEET 2 OF 2 REV B
		CUSTOMER DRAWING	

**ELCON HV8P DRAWER**