




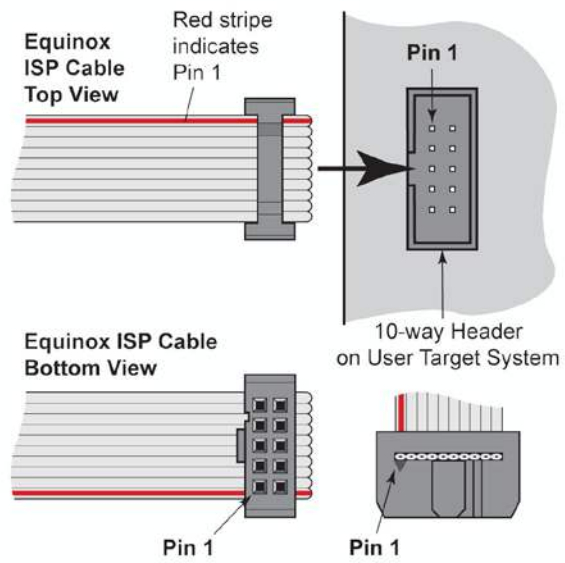


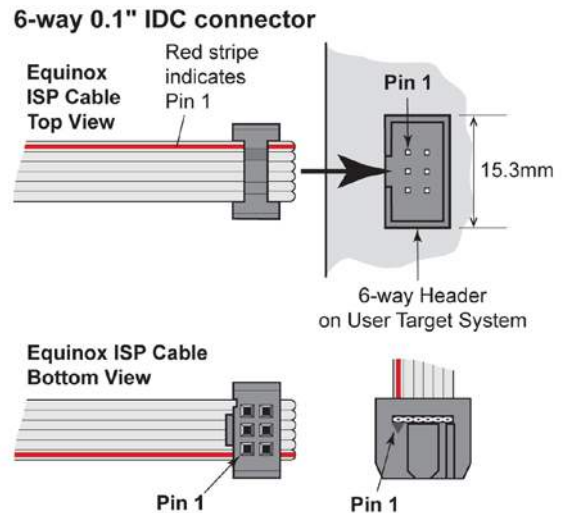
ISP Ribbon Cable - family overview

<p>6-way 0.1" pitch ISP ribbon cable (200mm)</p>	<p>20-way 0.1" pitch ISP ribbon cable for ARM microcontrollers (200mm)</p>
<p>Digi-key - 483-1029-ND Equinox - CAB-ISP6W200</p> 	<p>Digi-key - 483-1032-ND Equinox - CAB-ARM-20W</p> 
<p>10-way 0.1" pitch ISP ribbon cable (200mm)</p>	<p>10-way 0.05" pitch ISP ribbon cable for ARM microcontrollers - (150mm)</p>
<p>Digi-key - 483-1030-ND Equinox - CAB-ISP10W200</p> 	<p>Digi-key - 483-1033-ND Equinox - CAB-ARM-10W-150</p> 
<p>16-way 0.1" pitch ISP ribbon cable (200mm)</p>	<p>Typical layout of an ISP cable connector (10-way)</p>
<p>Digi-key - 483-1031-ND Equinox - CAB-16W/16W-ISP-RIBBON</p> 	 <p>The diagram illustrates the typical layout of a 10-way ISP cable connector. It includes three views: a top view of the Equinox ISP cable showing a red stripe indicating Pin 1, a bottom view of the Equinox ISP cable also showing Pin 1, and a 10-way header on a user target system with Pin 1 indicated. Arrows show the alignment between the cable's Pin 1 and the header's Pin 1.</p>

6-way In-System Programming (ISP) Cable (0.1" IDC connectors)

Equinox order code: **CAB-ISP6W200**

Digi-key order code: **483-1029-ND**



The **CAB-ISP6W200** is a **6-way** In-System Programming (ISP) ribbon cable designed to connect from any ISP programmer which features a 6-way IDC connector to a 6-way 0.1" pitch IDC connector on a suitable Target System. The cable features 200mm of flat ribbon cable with a 6-way IDC 0.1" pitch female connector on each end. The IDC connectors are fitted with 'cable grips' and are bump polarised to prevent the connector being plugged in the wrong way around.

The **CAB-ISP6W200** cable is suitable for use with any Equinox ISP programmer and also with any other programmer or 'Starter Kit' which features the 6-way 0.1" pitch IDC connector. eg. Atmel AVRISP, STK500, STK501 etc.

Specification:

- Cable length (connector to connector): 200mm
- Cable type: 6-way flat ribbon cable (red stripe denotes pin 1)
- Each end of the cable is terminated with a 6-way 0.1" pitch IDC female connector
- Connectors are fitted with 'cable grips' for added resilience.
- Connectors are bump-polarised to stop the connector being plugged in the wrong way around

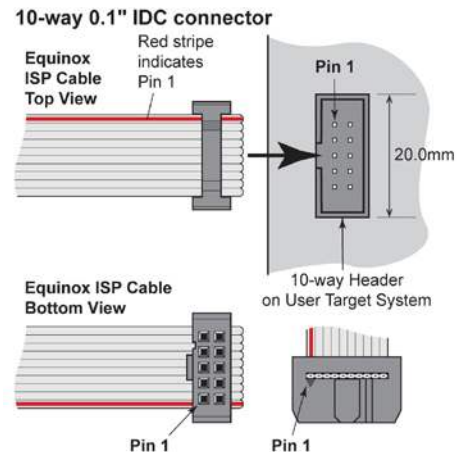
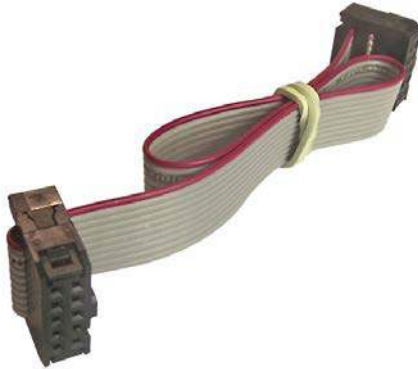
This cable is compatible with the following equipment:

- Any Equinox ISP programmer with a 6-way IDC connector eg. EPSILON5, FS2000A, FS2003, FS2009, FS2009USB, PPM3-MK2, PPM4-MK1, ISPnano etc.
- Any ISP programmer, Starter Kit or Development Board which features a 6-way IDC connector eg. Atmel STK500, STK501, STK502, STK505 etc
- Any other programmer or Target PCB which features a 0.1" pitch 6-way IDC male connector.

10-way In-System Programming (ISP) Cable (0.1" IDC connectors)

Equinox Code: **CAB-ISP10W200**

Digikey Code: **483-1030-ND**



The **CAB-ISP10W200** is a **10-way** In-System Programming (ISP) ribbon cable designed to connect from any ISP programmer which features a 10-way IDC connector to a 10-way 0.1" pitch IDC connector on a suitable Target System. The cable features 200mm of flat ribbon cable with a 10-way IDC 0.1" pitch female connector on each end. The IDC connectors are fitted with 'cable grips' and are bump polarised to prevent the connector being plugged in the wrong way around.

The **CAB-ISP10W200** cable is suitable for use with any Equinox ISP programmer and also with any programmer or 'Starter Kit' which features the 10-way 0.1" pitch IDC connector. eg. Atmel STK500, STK501 etc.

Specification:

- Cable length (connector to connector): 200mm
- Cable type: 10-way flat ribbon cable (red stripe denotes pin 1)
- Each end of the cable is terminated with a 10-way 0.1" pitch IDC female connector
- Connectors are fitted with 'cable grips' for added resilience.
- Connectors are bump-polarised to stop the connector being plugged in the wrong way around

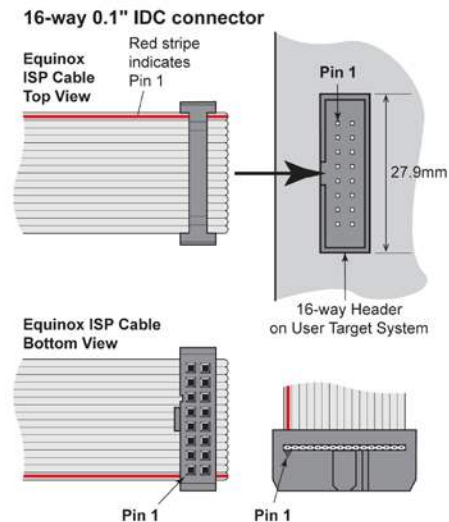
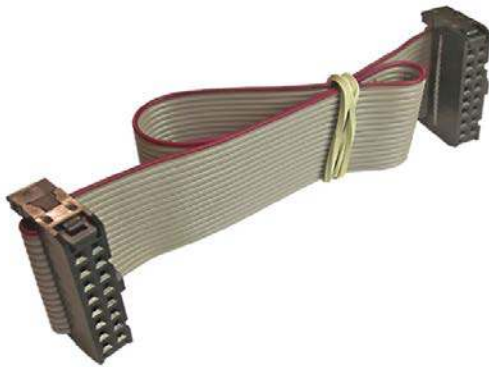
This cable is compatible with the following equipment:

- Any Equinox ISP programmer with a 10-way 0.1" pitch IDC connector eg. Equinox EPSILON5, EPSILON5-MK4, FS2000A, FS2003, FS2009, FS2009USB, PPM3-MK2, PPM4-MK4
- Any ISP Starter Kit or Development Board which features a 10-way IDC connector eg. Atmel STK500, STK501, STK502, STK505 etc
- Any other programmer or Target PCB which features a 0.1" pitch 10-way IDC male connector.

16-way In-System Programming (ISP) Cable (0.1" IDC connectors)

Equinox Code: **CAB-16W/16W-ISP-RIBBON**

Digikey Code: **483-1031-ND**



The **CAB-16W/16W-ISP-RIBBON** cable is a **16-way** In-System Programming (ISP) ribbon cable designed to connect from any ISP programmer which features a 16-way IDC connector to a 16-way 0.1" pitch IDC connector on a suitable Target System. The cable features 200mm of flat ribbon cable with a 16-way IDC 0.1" pitch female connector on each end. The IDC connectors are fitted with 'cable grips' and are bump polarised to prevent the connector being plugged in the wrong way around.

The **CAB-16W/16W-ISP-RIBBON** cable is suitable for use with all Equinox ISPnano programmers and also with any other programmer or 'Starter Kit' which features the 16-way 0.1" pitch IDC connector.

Specification:

- Cable length (connector to connector): 200mm
- Cable type: 16-way flat ribbon cable (red stripe denotes pin 1)
- Each end of the cable is terminated with a 16-way 0.1" pitch IDC female connector
- Connectors are fitted with 'cable grips' for added resilience.
- Connectors are bump-polarised to stop the connector being plugged in the wrong way around

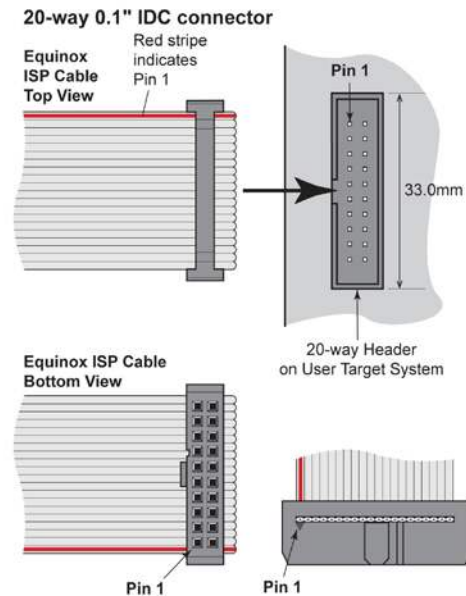
This cable is compatible with the following equipment:

- Equinox ISPnano programmer family - ISPnano Series 3, Series IV, ISPnano-MUX
- Equinox CONMOD connector module
- Infineon OCDS (JTAG) target boards feature a 16-way 0.1" IDC connector
- Any other programmer or 'Starter Kit' which features the 16-way 0.1" pitch IDC connector.

20-way In-System Programming (ISP) Cable for ARM microcontrollers (0.1" IDC)

Equinox Code: **CAB-ARM-20W**

Digikey Code: **483-1032-ND**



The **CAB-ARM-20W** cable is a **20-way** In-System Programming (ISP) ribbon cable designed to connect from any ISP programmer which features a 20-way IDC connector to a 20-way 0.1" pitch IDC connector on a suitable ARM microcontroller Target System. The cable features 200mm of flat ribbon cable with a 20-way 0.1" pitch female IDC connector on each end. The IDC connectors are fitted with 'cable grips' and are bump polarised to prevent the connector being plugged in the wrong way around.

The **CAB-ARM-20W** cable is suitable for use with the Equinox ISPnano programmer family which support the 20-way ARM connector interface. This cable is also compatible with any other programmer or 'Starter Kit' which features the 20-way 0.1" pitch IDC connector.

Specification:

- Cable length (connector to connector): 200mm
- Cable type: 20-way flat ribbon cable (red stripe denotes pin 1)
- Each end of the cable is terminated with a 20-way 0.1" pitch IDC female connector
- Connectors are fitted with 'cable grips' for added resilience.
- Connectors are bump-polarised to stop the connector being plugged in the wrong way around

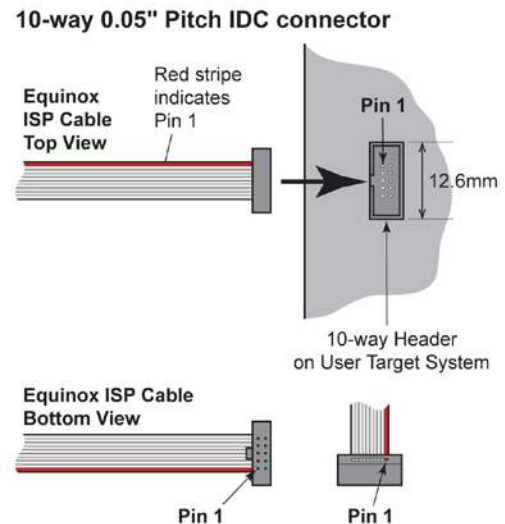
This cable is compatible with the following equipment:

- Equinox ISPnano programmer family - ISPnano Series 3, Series IV, ISPnano-MUX
- Equinox CONMOD connector module
- Any other ARM microcontroller programmer, ARM 'Starter Kit' or ARM 'evaluation board' which features the standard ARM 20-way 0.1" pitch IDC connector.

10-way In-System Programming (ISP) Cable for ARM Cortex microcontrollers (0.05" pitch)

Equinox Code: **CAB-ARM-10W-150**

Digikey Code: **483-1033-ND**



The **CAB-ARM-10W-150** is an In-System Programming (ISP) ribbon cable designed to connect from any ISP programmer which features a 10-way 0.05" pitch connector to a 10-way 0.05" pitch connector on a suitable ARM microcontroller Target System. The cable features 150 mm of flat ribbon cable with a 10-way 0.05" (1.27mm) pitch female connector on each end.

This cable can be used with any ARM device programmer which features the standard ARM Cortex 10-way 0.05" pitch connector. It is suitable for programming any ARM device via either the JTAG or Serial Wire Debug (SWD) interface. It can also be used with any compatible ARM programmer or debugger including the Equinox range of ISP programmers.

Specification:

- Cable length (connector to connector): 150 mm
- Cable type: 10-way flat ribbon cable (red stripe denotes pin 1)
- Each end of the cable is terminated with a 10-way 0.05" (1.27mm) pitch female connector
- Connectors are bump-polarised to stop the connector being plugged in the wrong way around

This cable is compatible with the following equipment:

- Any compatible ARM programmer or debugger or ARM Target System (PCB) which features the 0.05" (1.27mm) pitch 10-way connector.
- EPSILON5-MK4(ARM) programmer - fitted with ASSY-ARM-10W connector module
- FS2009USB(ARM) programmer - fitted with ASSY-ARM-10W connector module
- ISPnano Series 4 programmer - fitted with IOMOD8 connector module
- ISPnano-MUX programmer - fitted with IOMOD8 connector module