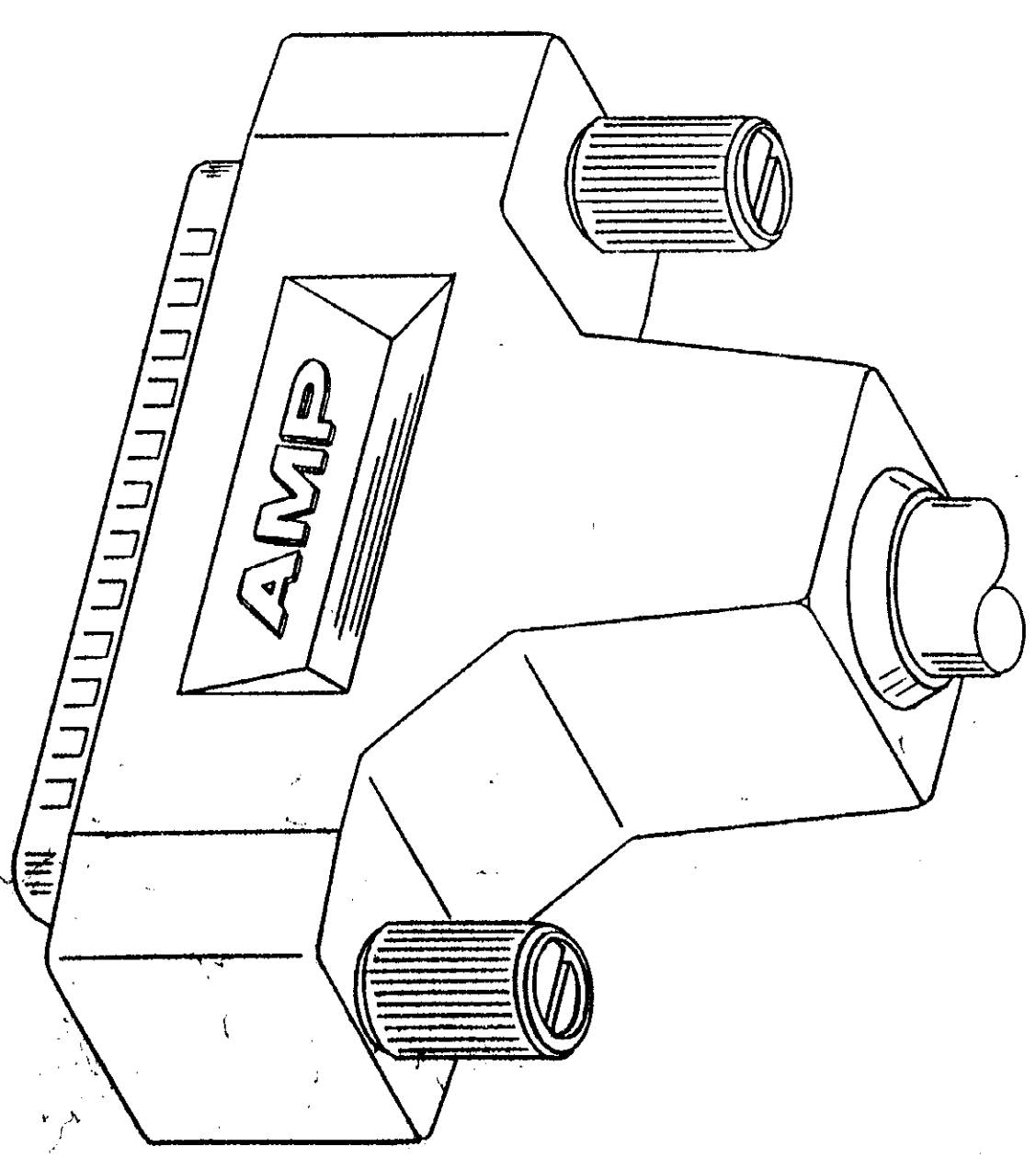
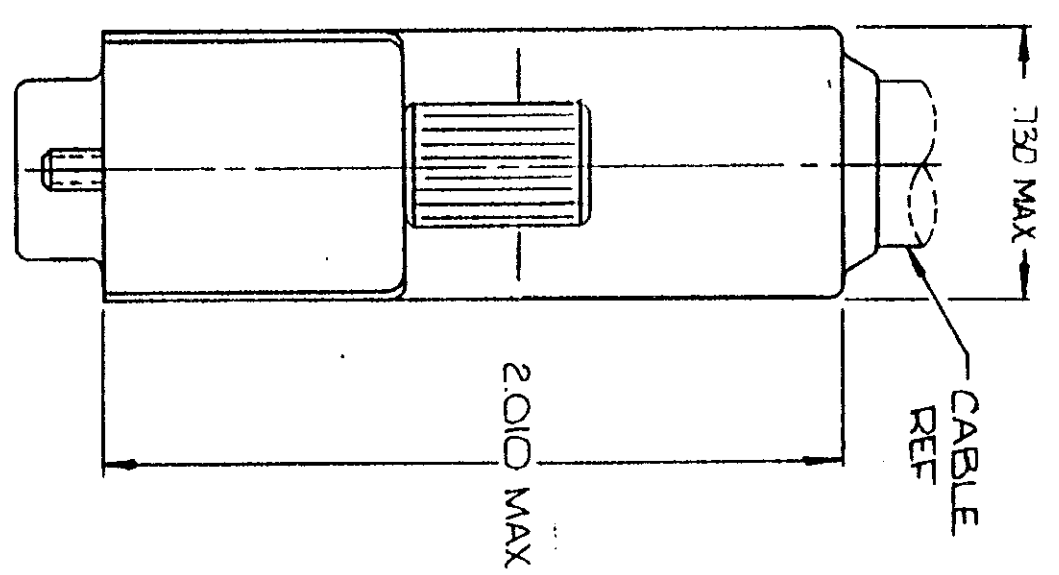
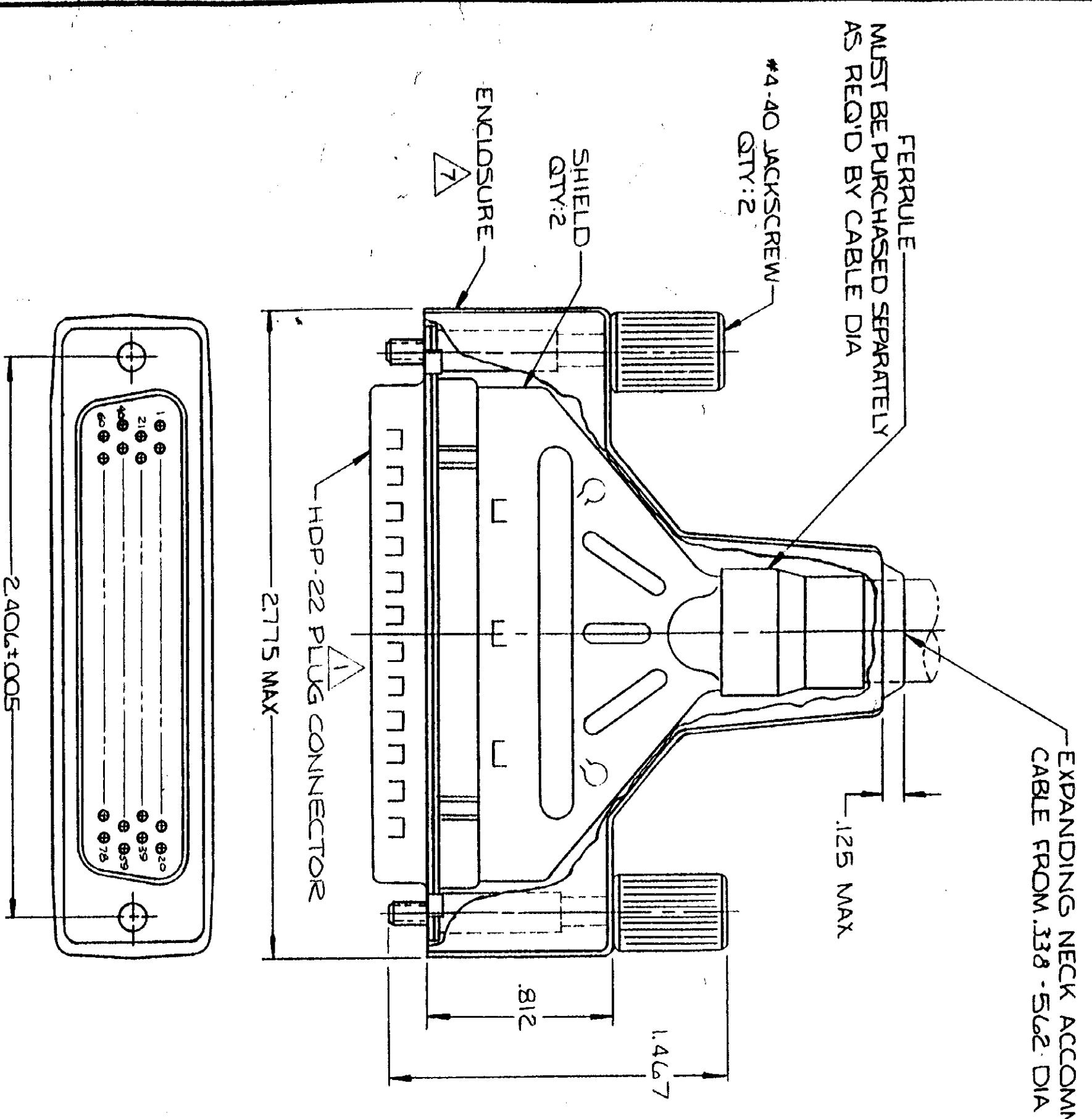


THIS DRAWING IS UNPUBLISHED. RELEASED FOR PUBLICATION 19
 COPYRIGHT 19 BY AMP INCORPORATED, HARRISBURG, PA. ALL INTERNATIONAL RIGHTS RESERVED. AMP PRODUCTS MAY BE COVERED BY U.S. AND FOREIGN PATENTS AND/OR PATENTS PENDING.



1. PLUG ACCEPTS SIZE 22 DFP PIN CONTACTS, CONTACTS MUST BE PURCHASED SEPARATELY.
2. ALL PARTS SHIPPED UNASSEMBLED, EACH PART INDIVIDUALLY BULK PACKED.
3. FLAME RETARDANT 94V-0 RATED, GLASS-FILLED NYLON, COLOR: BLACK.
4. STEEL PER ASTM A109.
5. TIN PLATING PER MIL-T-10727.
6. ZINC PLATING PER ASTM B633, TYPE II, CLASS SC1, BLACK CHROMATE.
7. FLAME RETARDANT 94V-0 RATED, STYRENE POLYOLEFIN OR PVC, COLOR: BLACK.

REVISIONS			
P F ZONE	LTR	DESCRIPTION	DATE APPROVED
0	A	RELEASED WAS 86-5520-5	11/30/86 EW
1	A	REVISED - ECN BD2607	2/10/89 EW
2	B	REV PER ECN BD2328	4-24-90
3	C	REV PER ECN BD4294	4-6-92 TMS
4	D	REVISED PER ECN BD6133	

UNLESS OTHERWISE SPECIFIED DIMENSIONS ARE IN INCHES. TOLERANCES ON: DECIMALS ± .020 ANGLES		CONTRACT NO	
MATERIAL		DR 4/28/97	
INSERT: △		CHK 4/30/87	
SHELLS & SHIELDS: △		APRD 4/30/87	
JACKSCREWS: ZINC ALLOY		APPD 4/30/87	
FINISH		DSGN APPD	
SHELLS & SHIELDS: △		OTHER APPD	
JACKSCREWS: △		NAME	
		AMP AMP INCORPORATED HARRISBURG, PA. 17105	
SIZE		DRAWING NO	
FSQM NO 00779		748477	
SCALE 2:1		SHEET 1 OF 1	