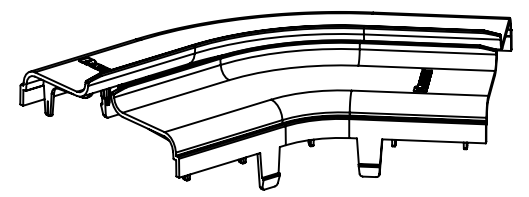
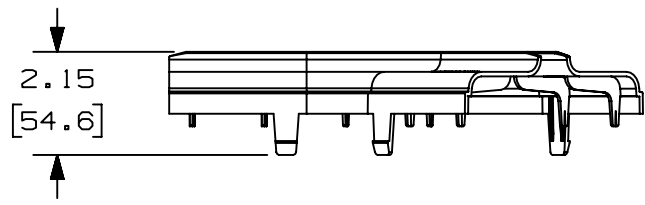
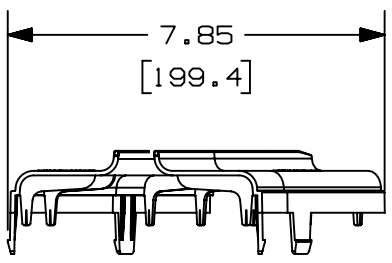
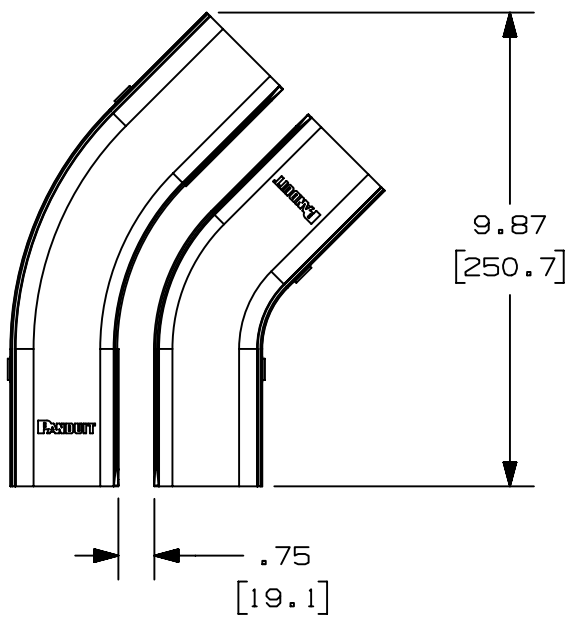


2

1

THIS COPY IS PROVIDED ON A RESTRICTED BASIS AND IS NOT TO BE USED IN ANY WAY DETRIMENTAL TO THE INTERESTS OF PANDUIT CORP.



PANDUIT PART NUMBER	WEIGHT	MATERIAL
FRH45SC4	0.27 LB/EACH (123g/EACH)	ABS
FRH45SC4L	0.27 LB/EACH (123g/EACH)	PC/ABS

NOTES:

1. SEE CURRENT CATALOG FOR ADDITIONAL PART SUFFIXES TO INDICATE COLOR AND/OR PACKAGE QUANTITY.
2. THE FIBERRUNNER 4x4 HORIZONTAL 45° ANGLE SPLIT COVER REQUIRES NO TOOLS FOR INSTALLATION AND/OR REMOVAL. THE SPLIT COVER CREATES A 3/4" (19.1) RADIUS OPENING TO ALLOW FOR NEW CABLES TO BE ADDED WITHOUT THE NEED FOR REMOVING THE COVERS.
3. DIMENSIONS IN PARENTHESES ARE IN METRIC.

B

B

A

A

REV	DATE	BY	CHK	APR	DESCRIPTION	ECN
01B	9/1/2020	MES	DWR		UPDATED TITLE BLOCK, ADDED NEW PART NUMBER	V09002DZ/11

TITLE FIBERRUNNER 4x4 HORIZONTAL 45° ANGLE SPLIT COVER (FRH45SC4, FRH45SC4L) CUSTOMER DRAWING	
ITEM REVISION NAME D37847CX/01	
DATASET FILE NAME D37847CX/01	
UNLESS OTHERWISE SPECIFIED, DIMENSIONAL TOLERANCES ARE: (.X) ± (.XXX) ± (.XX) ± .03 (.8) ANGLES ±	
THIRD ANGLE PROJECTION	
DRAWN BY JHNU	DATE 7-16-01
CHK RPA	SCALE NONE
DRAWING NUMBER: 37847-57	
SHT 1 OF 1	
SIZE A	

2

1

D10100DA/20