

FCI CONFIDENTIAL

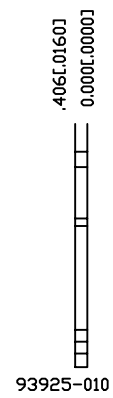
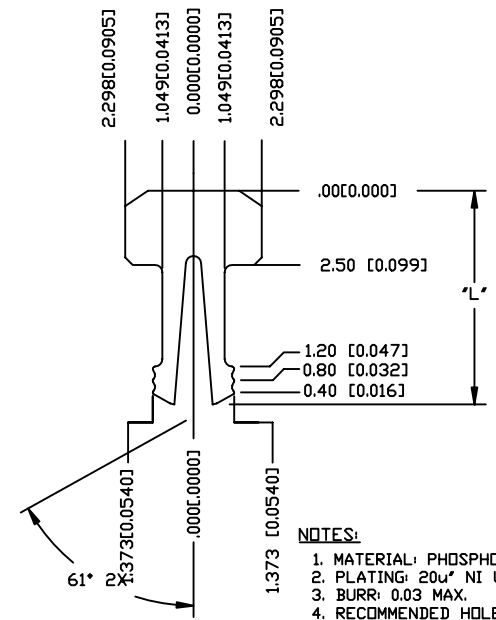
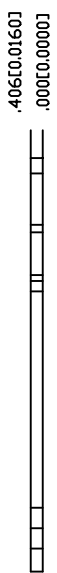
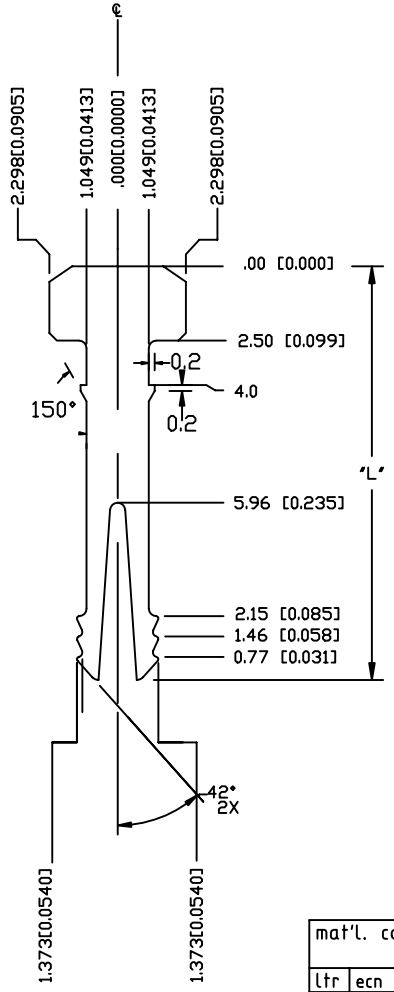
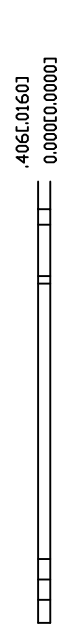
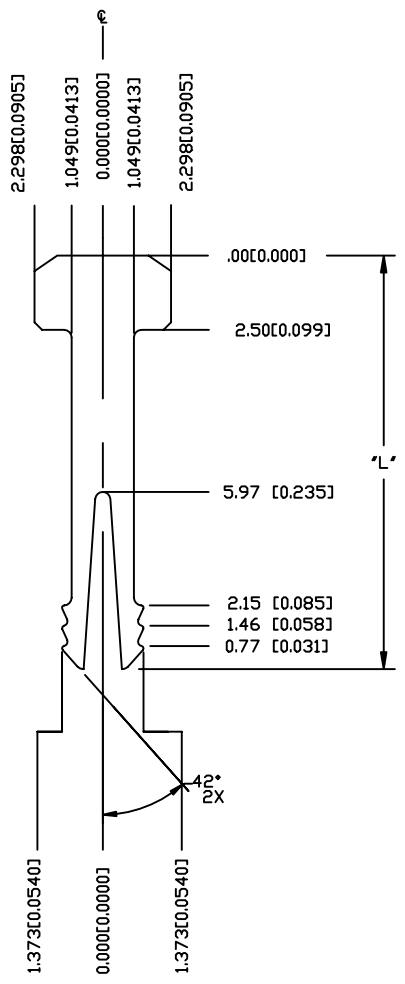


FCIconnect.com

This document is the property of and embodies CONFIDENTIAL and PROPRIETARY information of FCI. No part of the information shown on this document may be used in any way or disclosed to others without the written consent of FCI. Copyright FCI.

PRODUCT NUMBER
SEE TABLE

PRODUCT NUMBER	APPLICATION	FOR USE WITH STANDOFF HEIGHT	DIM "L"
93925-001/001LF	SINGLE DECK	ZERO	8.16
93925-002/002LF	SINGLE DECK	2.00 & 2.20	10.36
93925-003/003LF	SINGLE DECK	4.00 & 4.30	12.46
93925-004/004LF	SINGLE DECK	5.00	13.16
93925-005/005LF	DOUBLE DECK	ZERO	13.96
93925-006/006LF	DOUBLE DECK	2.00 & 2.20	16.16
93925-007/007LF	DOUBLE DECK	4.00 & 4.30	18.26
93925-008/008LF	DOUBLE DECK	5.00	18.96
93925-009/009LF	SINGLE DECK	3.00	11.16
93925-010/010LF	SINGLE DECK	SPECIAL	7.20
93925-011/011LF	SINGLE DECK	5.00	13.16



NOTES:

1. MATERIAL: PHOSPHOR BRONZE, C519R-H.
2. PLATING: 20u" NI UNDER 100u" Min. Tin.
3. BURR: 0.03 MAX.
4. RECOMMENDED HOLE SIZE: ø2.3mm PLATED THRU.
5. P/N'S WITH SUFFIX 'LF' ARE LEAD FREE P/N'S
6. PACKING STANDARD GS-14-920 WILL BE APPLIED FOR LEAD FREE P/N'S
7. FOR LEAD FREE P/N, THE PRODUCT MEET EUROPEAN UNION DIRECTIVES AND OTHER COUNTRY REGULATION AS DESCRIBED IN GS-22-008

ONLY FOR 93925-011/011LF

mat'l. code		surface		tolerance		projection		product family	
		ISO 1302		ISO 406 ISO 1101					
ltr		ecn no		dr		date		title	
F		v03-0518		WL		05/29/03		tolerances unless otherwise specified	
G		t03-0547		WL		12/11/03		angles	
H		N05-0012		PH		01/19/05		linear	
J		N07-0245		MZ		10/30/07		±2'	
								scale	
								MM	
								title	
								PCMCIA HOLDOWN	
								dwg no	
								93925	
								sheet 1 of 1	
								size	
								A4	
								type	
								CUSTOMER Drawing	
sheet		revision		J					
index		sheet		1					

PDM! Rev:J

STATUS Released

Printed: Oct 12, 2010