



**MICROCHIP**

---

**MCP25625  
PICtail™ Plus  
Daughter Board  
User's Guide**

---

**Note the following details of the code protection feature on Microchip devices:**

- Microchip products meet the specification contained in their particular Microchip Data Sheet.
- Microchip believes that its family of products is one of the most secure families of its kind on the market today, when used in the intended manner and under normal conditions.
- There are dishonest and possibly illegal methods used to breach the code protection feature. All of these methods, to our knowledge, require using the Microchip products in a manner outside the operating specifications contained in Microchip's Data Sheets. Most likely, the person doing so is engaged in theft of intellectual property.
- Microchip is willing to work with the customer who is concerned about the integrity of their code.
- Neither Microchip nor any other semiconductor manufacturer can guarantee the security of their code. Code protection does not mean that we are guaranteeing the product as "unbreakable."

Code protection is constantly evolving. We at Microchip are committed to continuously improving the code protection features of our products. Attempts to break Microchip's code protection feature may be a violation of the Digital Millennium Copyright Act. If such acts allow unauthorized access to your software or other copyrighted work, you may have a right to sue for relief under that Act.

---

Information contained in this publication regarding device applications and the like is provided only for your convenience and may be superseded by updates. It is your responsibility to ensure that your application meets with your specifications. MICROCHIP MAKES NO REPRESENTATIONS OR WARRANTIES OF ANY KIND WHETHER EXPRESS OR IMPLIED, WRITTEN OR ORAL, STATUTORY OR OTHERWISE, RELATED TO THE INFORMATION, INCLUDING BUT NOT LIMITED TO ITS CONDITION, QUALITY, PERFORMANCE, MERCHANTABILITY OR FITNESS FOR PURPOSE. Microchip disclaims all liability arising from this information and its use. Use of Microchip devices in life support and/or safety applications is entirely at the buyer's risk, and the buyer agrees to defend, indemnify and hold harmless Microchip from any and all damages, claims, suits, or expenses resulting from such use. No licenses are conveyed, implicitly or otherwise, under any Microchip intellectual property rights unless otherwise stated.

**Trademarks**

The Microchip name and logo, the Microchip logo, dsPIC, FlashFlex, flexPWR, JukeBlox, KEELOQ, KEELOQ logo, Klear, LANCheck, MediaLB, MOST, MOST logo, MPLAB, OptoLyzer, PIC, PICSTART, PIC<sup>32</sup> logo, RightTouch, SpyNIC, SST, SST Logo, SuperFlash and UNI/O are registered trademarks of Microchip Technology Incorporated in the U.S.A. and other countries.

The Embedded Control Solutions Company and mTouch are registered trademarks of Microchip Technology Incorporated in the U.S.A.

Analog-for-the-Digital Age, BodyCom, chipKIT, chipKIT logo, CodeGuard, dsPICDEM, dsPICDEM.net, ECAN, In-Circuit Serial Programming, ICSP, Inter-Chip Connectivity, KlearNet, KlearNet logo, MiWi, motorBench, MPASM, MPF, MPLAB Certified logo, MPLIB, MPLINK, MultiTRAK, NetDetach, Omniscient Code Generation, PICDEM, PICDEM.net, PICkit, PICtail, RightTouch logo, REAL ICE, SQI, Serial Quad I/O, Total Endurance, TSHARC, USBCheck, VariSense, ViewSpan, WiperLock, Wireless DNA, and ZENA are trademarks of Microchip Technology Incorporated in the U.S.A. and other countries.

SQTP is a service mark of Microchip Technology Incorporated in the U.S.A.

Silicon Storage Technology is a registered trademark of Microchip Technology Inc. in other countries.

GestIC is a registered trademark of Microchip Technology Germany II GmbH & Co. KG, a subsidiary of Microchip Technology Inc., in other countries.

All other trademarks mentioned herein are property of their respective companies.

© 2015, Microchip Technology Incorporated, Printed in the U.S.A., All Rights Reserved.

ISBN: 978-1-63277-873-4

**QUALITY MANAGEMENT SYSTEM  
CERTIFIED BY DNV  
= ISO/TS 16949 =**

*Microchip received ISO/TS-16949:2009 certification for its worldwide headquarters, design and wafer fabrication facilities in Chandler and Tempe, Arizona; Gresham, Oregon and design centers in California and India. The Company's quality system processes and procedures are for its PIC<sup>®</sup> MCUs and dsPIC<sup>®</sup> DSCs, KEELOQ<sup>®</sup> code hopping devices, Serial EEPROMs, microperipherals, nonvolatile memory and analog products. In addition, Microchip's quality system for the design and manufacture of development systems is ISO 9001:2000 certified.*

**Object of Declaration: MCP25625 PICtail™ Plus Daughter Board**

EU Declaration of Conformity

Manufacturer: Microchip Technology Inc.  
2355 W. Chandler Blvd.  
Chandler, Arizona, 85224-6199  
USA

This declaration of conformity is issued by the manufacturer.

The development/evaluation tool is designed to be used for research and development in a laboratory environment. This development/evaluation tool is not a Finished Appliance, nor is it intended for incorporation into Finished Appliances that are made commercially available as single functional units to end users under EU EMC Directive 2004/108/EC and as supported by the European Commission's Guide for the EMC Directive 2004/108/EC (8<sup>th</sup> February 2010).

This development/evaluation tool complies with EU RoHS2 Directive 2011/65/EU.

This development/evaluation tool, when incorporating wireless and radio-telecom functionality, is in compliance with the essential requirement and other relevant provisions of the R&TTE Directive 1999/5/EC and the FCC rules as stated in the declaration of conformity provided in the module datasheet and the module product page available at [www.microchip.com](http://www.microchip.com).

For information regarding the exclusive, limited warranties applicable to Microchip products, please see Microchip's standard terms and conditions of sale, which are printed on our sales documentation and available at [www.microchip.com](http://www.microchip.com).

Signed for and on behalf of Microchip Technology Inc. at Chandler, Arizona, USA

  
Derek Carlson  
VP Development Tools

12-Sep-14  
Date



# MCP25625 PICTAIL™ PLUS DAUGHTER BOARD USER'S GUIDE

---

---

## Table of Contents

---

---

<b>Preface</b> .....	<b>5</b>
Introduction.....	5
Document Layout .....	5
Conventions Used in this Guide .....	6
Recommended Reading.....	7
The Microchip Web Site .....	7
Customer Support .....	7
Document Revision History .....	8
<b>Chapter 1. Product Overview</b>	
1.1 Overview .....	9
1.2 What is the MCP25625 PICtail Plus Daughter Board? .....	9
1.3 What the MCP25625 PICtail Plus Daughter Board kit includes .....	9
<b>Chapter 2. Installation and Operation</b>	
2.1 Hardware Overview .....	11
2.2 Jumper settings .....	11
2.3 Connecting the Board .....	12
2.4 Operation .....	13
<b>Appendix A. Schematic and Layouts</b>	
A.1 Introduction .....	15
A.2 Board – Schematic .....	16
A.3 Board – Top Silk .....	17
A.4 Board – Top Copper and Silk .....	17
A.5 Board – Top Copper .....	18
A.6 Board – Bottom Copper .....	18
A.7 Board – Bottom Copper and Silk .....	19
A.8 Board – Bottom Silk .....	19
<b>Appendix B. Bill Of Materials (BOM)</b>	
<b>Worldwide Sales and Service</b> .....	<b>22</b>



# MCP25625 PICTAIL™ PLUS DAUGHTER BOARD USER'S GUIDE

---

---

## Preface

---

---

### NOTICE TO CUSTOMERS

All documentation becomes dated, and this manual is no exception. Microchip tools and documentation are constantly evolving to meet customer needs, so some actual dialogs and/or tool descriptions may differ from those in this document. Please refer to our web site ([www.microchip.com](http://www.microchip.com)) to obtain the latest documentation available.

Documents are identified with a “DS” number. This number is located on the bottom of each page, in front of the page number. The numbering convention for the DS number is “DSXXXXXXXXA”, where “XXXXXXXX” is the document number and “A” is the revision level of the document.

## INTRODUCTION

This chapter contains general information that will be useful to know before using the MCP25625 PICtail™ Plus Daughter Board. Items discussed in this chapter include:

- Document Layout
- Conventions Used in this Guide
- Recommended Reading
- The Microchip Web Site
- Customer Support
- Document Revision History

## DOCUMENT LAYOUT

This document describes how to use the MCP25625 PICtail Plus Daughter Board. The manual layout is as follows:

- **Chapter 1. “Product Overview”** – Important information about the MCP25625 PICtail Plus Daughter Board.
- **Chapter 2. “Installation and Operation”** – This chapter includes a detailed description of each function of the demo board and instructions for how to begin using the board.
- **Appendix A. “Schematic and Layouts”** – Shows the schematic and layout diagrams for the MCP25625 PICtail Plus Daughter Board.
- **Appendix B. “Bill Of Materials (BOM)”** – Lists the parts used to build the MCP25625 PICtail Plus Daughter Board.

# MCP25625 PICtail™ Plus Daughter Board User's Guide

---

## CONVENTIONS USED IN THIS GUIDE

This manual uses the following documentation conventions:

### DOCUMENTATION CONVENTIONS

Description	Represents	Examples
<b>Arial font:</b>		
Italic characters	Referenced books	<i>MPLAB® IDE User's Guide</i>
	Emphasized text	...is the <i>only</i> compiler...
Initial caps	A window	the Output window
	A dialog	the Settings dialog
	A menu selection	select Enable Programmer
Quotes	A field name in a window or dialog	"Save project before build"
Underlined, italic text with right angle bracket	A menu path	<u>File&gt;Save</u>
Bold characters	A dialog button	Click <b>OK</b>
	A tab	Click the <b>Power</b> tab
N'Rnnnn	A number in verilog format, where N is the total number of digits, R is the radix and n is a digit.	4'b0010, 2'hF1
Text in angle brackets < >	A key on the keyboard	Press <Enter>, <F1>
<b>Courier New font:</b>		
Plain Courier New	Sample source code	#define START
	Filenames	autoexec.bat
	File paths	c:\mcc18\h
	Keywords	_asm, _endasm, static
	Command-line options	-Opa+, -Opa-
	Bit values	0, 1
	Constants	0xFF, 'A'
Italic Courier New	A variable argument	<i>file.o</i> , where <i>file</i> can be any valid filename
Square brackets [ ]	Optional arguments	mcc18 [options] <i>file</i> [options]
Ellipses...	Replaces repeated text	var_name [, var_name...]
	Represents code supplied by user	void main (void) { ... }

## RECOMMENDED READING

This user's guide describes how to use the MCP25625 PICtail Plus Daughter Board. The following Microchip documents are available and recommended as supplemental reference resources:

- **MCP25625 Data Sheet – “CAN Controller with Integrated Transceiver” (DS20005282)**

This data sheet provides detailed information regarding the MCP25625 Product Family.

- **Explorer 16 User's Guide –“Explorer 16 Development Board User's Guide” (DS50001589)**

This user's guide provides detailed information regarding the Explorer 16 Development Board and its functionality.

- **PICKit™ Serial Analyzer User's Guide – “PICKit™ Serial Analyzer User's Guide” (DS51647)**

This user's guide provides detailed information regarding PICKit Serial Analyzer functionality.

## THE MICROCHIP WEB SITE

Microchip provides online support via our web site at [www.microchip.com](http://www.microchip.com). This web site is used as a means to make files and information easily available to customers. Accessible by using your favorite Internet browser, the web site contains the following information:

- **Product Support** – Data sheets and errata, application notes and sample programs, design resources, user's guides and hardware support documents, latest software releases and archived software
- **General Technical Support** – Frequently Asked Questions (FAQs), technical support requests, online discussion groups, Microchip consultant program member listing
- **Business of Microchip** – Product selector and ordering guides, latest Microchip press releases, listing of seminars and events, listings of Microchip sales offices, distributors and factory representatives

## CUSTOMER SUPPORT

Users of Microchip products can receive assistance through several channels:

- Distributor or Representative
- Local Sales Office
- Field Application Engineer (FAE)
- Technical Support
- Development Systems Information Line

Customers should contact their distributor, representative or field application engineer (FAE) for support. Local sales offices are also available to help customers.

Technical support is available through the web site at:

<http://www.microchip.com/support>.

# MCP25625 PICtail™ Plus Daughter Board User's Guide

---

## DOCUMENT REVISION HISTORY

### Revision A (October 2015)

- Initial release of this document.



## Chapter 1. Product Overview

### 1.1 OVERVIEW

This chapter provides an overview of the MCP25625 PICTail Plus Daughter Board and covers the following topics:

- Overview
- What is the MCP25625 PICTail Plus Daughter Board?
- What the MCP25625 PICTail Plus Daughter Board kit includes.

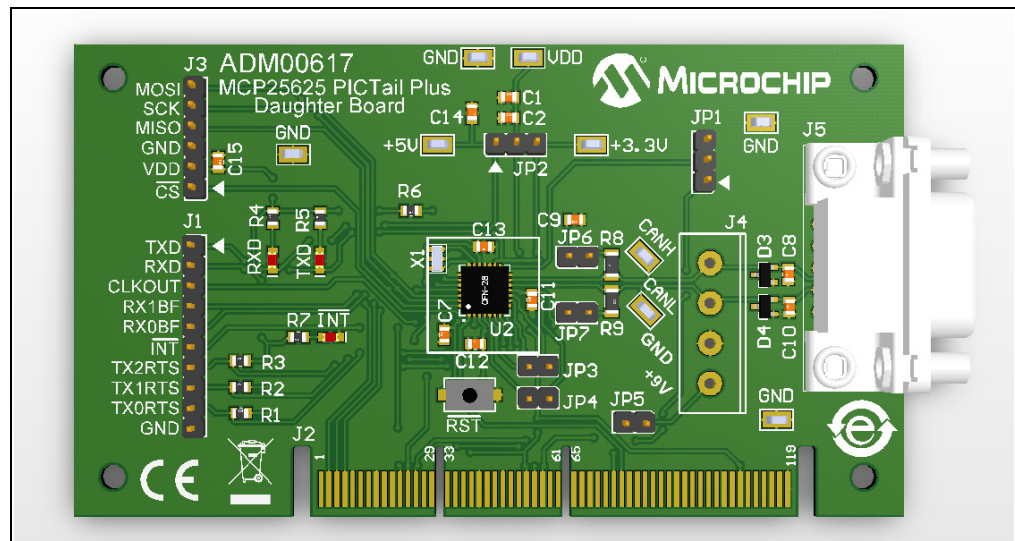
### 1.2 WHAT IS THE MCP25625 PICTAIL PLUS DAUGHTER BOARD?

The MCP25625 PICTail Plus Daughter Board is a simple Controller Area Network (CAN) board designed to be used with boards containing the PICTail Plus connector. The board also has the PICKit Serial connector for interfacing to the PICKit Serial Analyzer tool.

The single-chip solution CAN node consists of the MCP25625 CAN Controller with Integrated Transceiver. The PICKit Plus and PICKit Serial connectors allow the board to be interfaced to a variety of PIC® microcontrollers so that the user can develop a CAN node.

The board also contains headers or test points for most of the MCP25625 pins to allow the external functions to be monitored/evaluated. Additionally, there are multiple external components and jumper configurations for added flexibility.

**FIGURE 1-1: MCP25625 PICTAIL™ PLUS DAUGHTER BOARD**



### 1.3 WHAT THE MCP25625 PICTAIL PLUS DAUGHTER BOARD KIT INCLUDES

The MCP25625 PICTail Plus Daughter Board kit includes:

- MCP25625 PICTail Plus Daughter Board (02-10350)
- Information Sheet

# MCP25625 PICtail™ Plus Daughter Board User's Guide

---

NOTES:

## Chapter 2. Installation and Operation

### 2.1 HARDWARE OVERVIEW

The MCP25625 PICtail Plus Daughter Board can be connected to either a PIC microcontroller or a development board with the PICKit Plus connector or the PICKit Serial connector. [Figure 2-1](#) below shows the connections to the Explorer 16 Development Board (DM240001).

### 2.2 JUMPER SETTINGS

[Table 2-1](#) briefly describes the functions of all the board's jumpers.

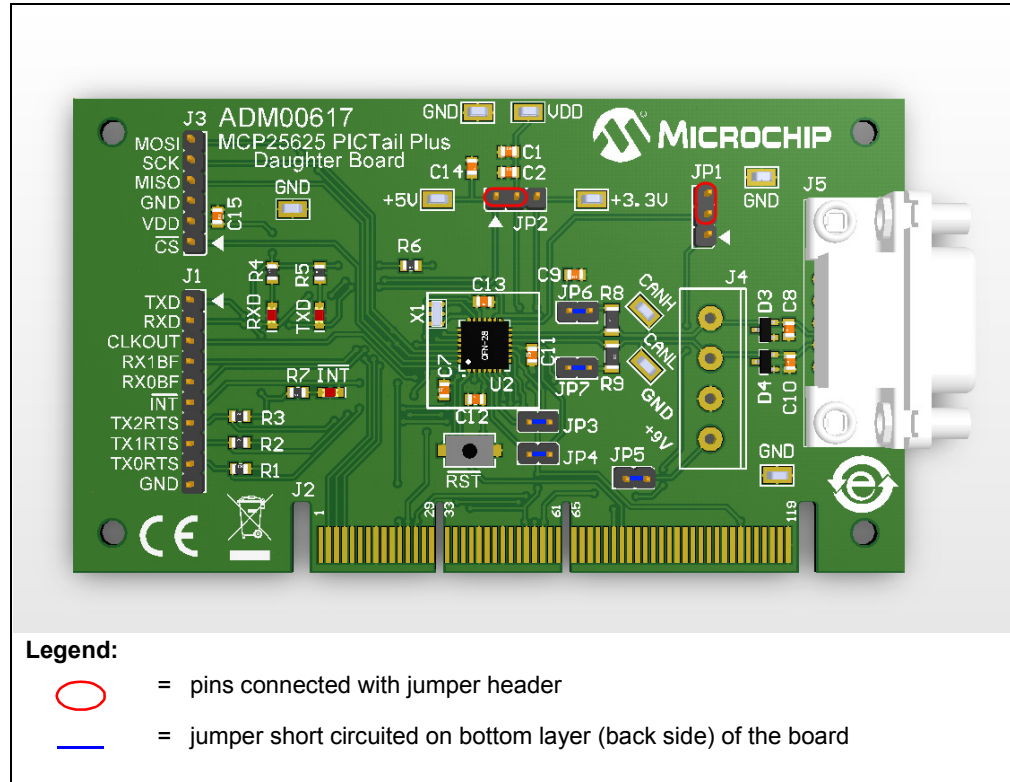
**TABLE 2-1: JUMPER DESCRIPTIONS**

Index	Description
JP1	<ul style="list-style-type: none"> <li>Drives the STBY pin of the transceiver to GND manually or via the Explorer 16 demo board when used as PICTail™ daughter board (plugged into the Explorer 16).</li> <li>Short-circuit pins 1 and 2 (top and middle) to connect to GND, or pins 2 and 3 (middle and bottom) to connect to the Explorer 16.</li> </ul> <p>Default configuration: pins 1 and 2 (top and middle) short-circuited.</p>
JP2	<ul style="list-style-type: none"> <li>Powers-up the CAN Controller with 5V or 3.3V. It also feeds the VIO of the transceiver; this voltage is determined by the MCU that the user implements (5V or 3.3V).</li> <li>Short-circuit pins 1 and 2 (left-hand side) to select 5V, or pins 2 and 3 (right-hand side) to select 3.3V.</li> </ul> <p>Default configuration selects 5V operation mode.</p>
JP3 <sup>(1)</sup>	When disconnected, separates the RXD of the transceiver from the RXCAN of the controller.
JP4 <sup>(1)</sup>	When disconnected, separates the TXD of the transceiver from the TXCAN of the controller.
JP5 <sup>(1)</sup>	When connected, enables access to the 9V supply from the Explorer 16.
JP6 <sup>(1)</sup>	When connected, implements a capacitor with the jumper JP7 enabled 120Ω termination resistor.
JP7 <sup>(1)</sup>	When connected, implements the 120Ω termination resistor.
<b>Note 1:</b>	Jumpers JP3, JP4, JP5, JP6 and JP7 are not populated, however, they are short-circuited on the bottom layer (back) of the board. The traces can be cut in order to disconnect them.

# MCP25625 PICtail™ Plus Daughter Board User's Guide

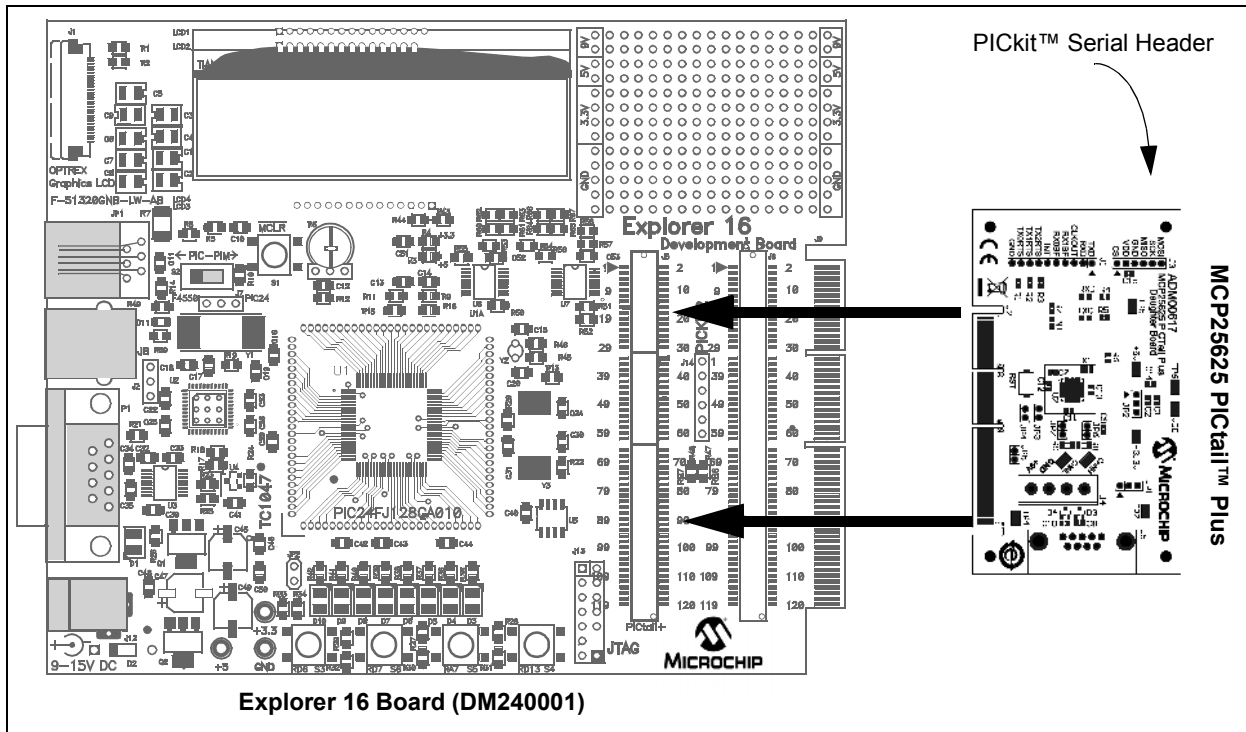
Figure 2-1 indicates the default settings for the jumpers.

**FIGURE 2-1: DEFAULT JUMPER CONFIGURATIONS**



## 2.3 CONNECTING THE BOARD

**FIGURE 2-2: HARDWARE OVERVIEW**



---

## 2.4 OPERATION

The user can write firmware for the MCP25625 PICtail Plus Daughter Board in order to create a custom CAN node. Check the Explorer 16 and PICKit Serial Analyzer web pages for the latest firmware and/or software supporting the MCP25625 or general SPI interfaces.

# MCP25625 PICtail™ Plus Daughter Board User's Guide

---

NOTES:



# MCP25625 PICTAIL™ PLUS DAUGHTER BOARD USER'S GUIDE

---

---

## Appendix A. Schematic and Layouts

---

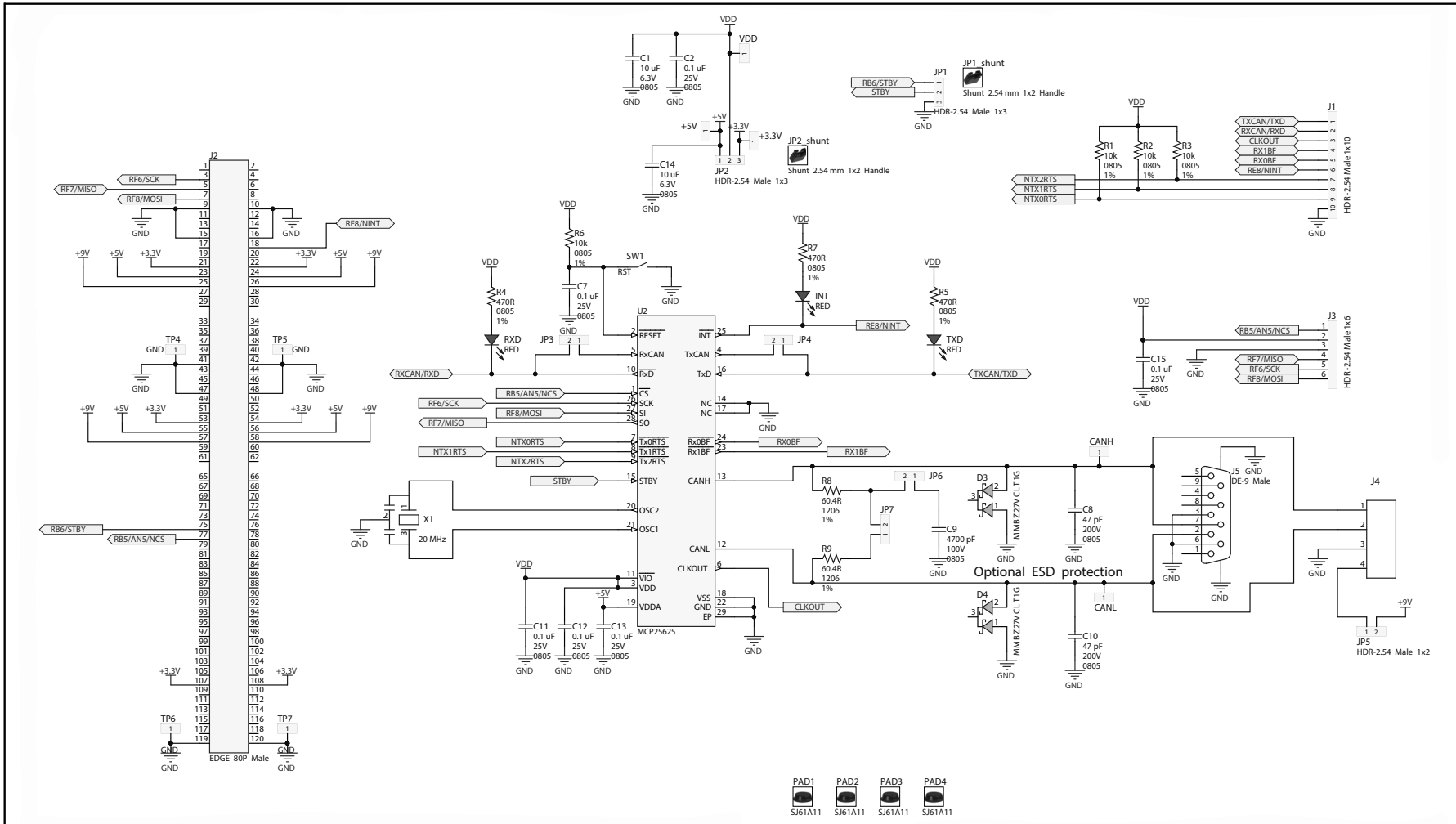
---

### A.1 INTRODUCTION

This appendix contains the following schematics and layouts for the MCP25625 PICtail Plus Daughter Board:

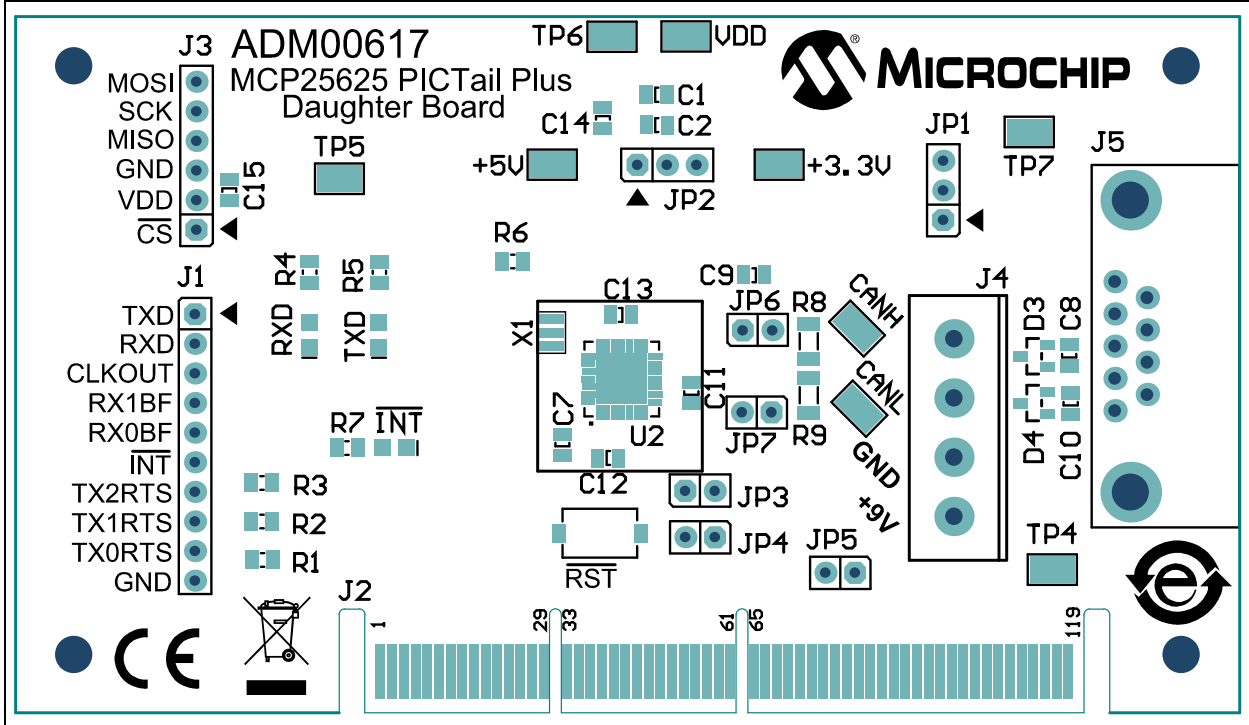
- Board – Schematic
- Board – Top Silk
- Board – Top Copper and Silk
- Board – Top Copper
- Board – Bottom Copper
- Board – Bottom Copper and Silk
- Board – Bottom Silk

A.2 BOARD – SCHEMATIC

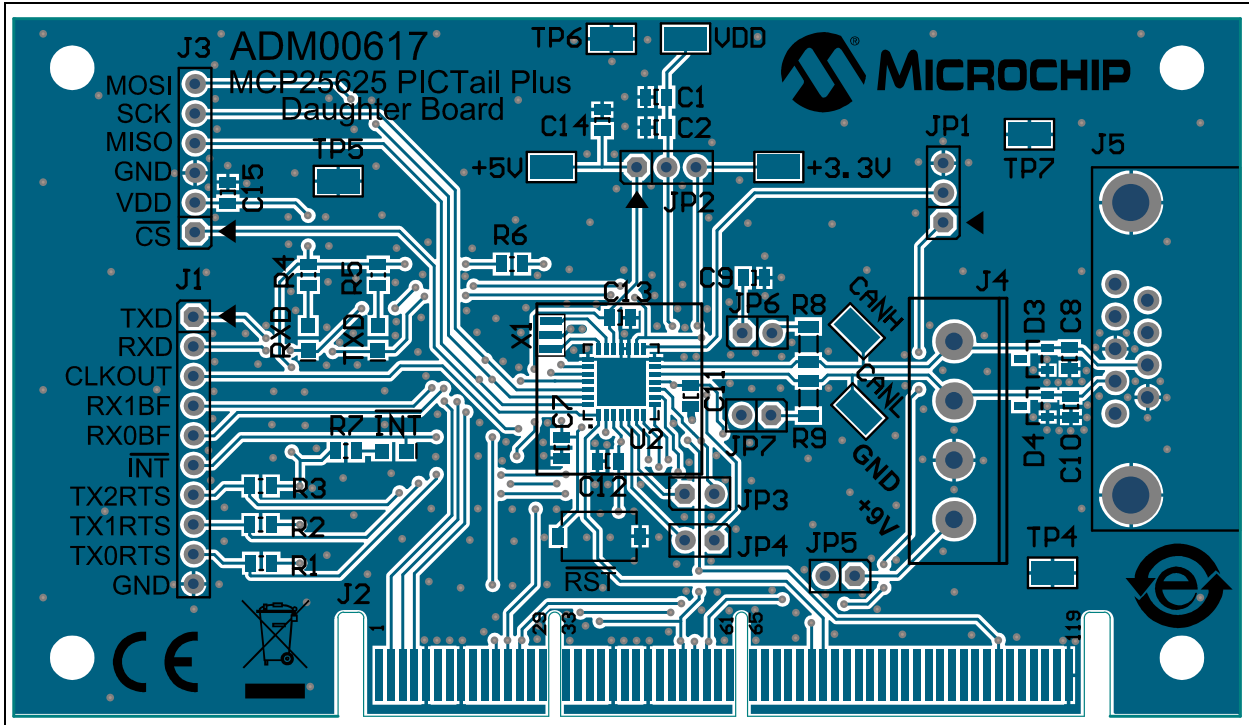




### A.3 BOARD – TOP SILK

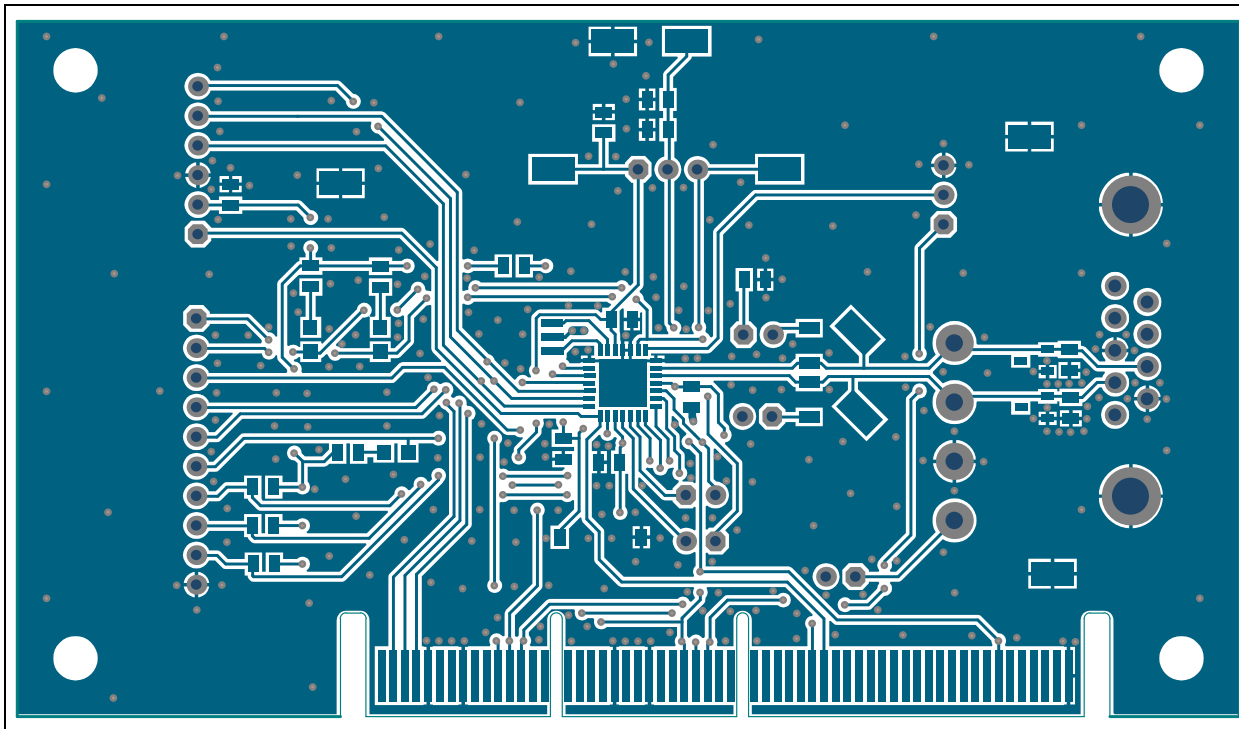


### A.4 BOARD – TOP COPPER AND SILK

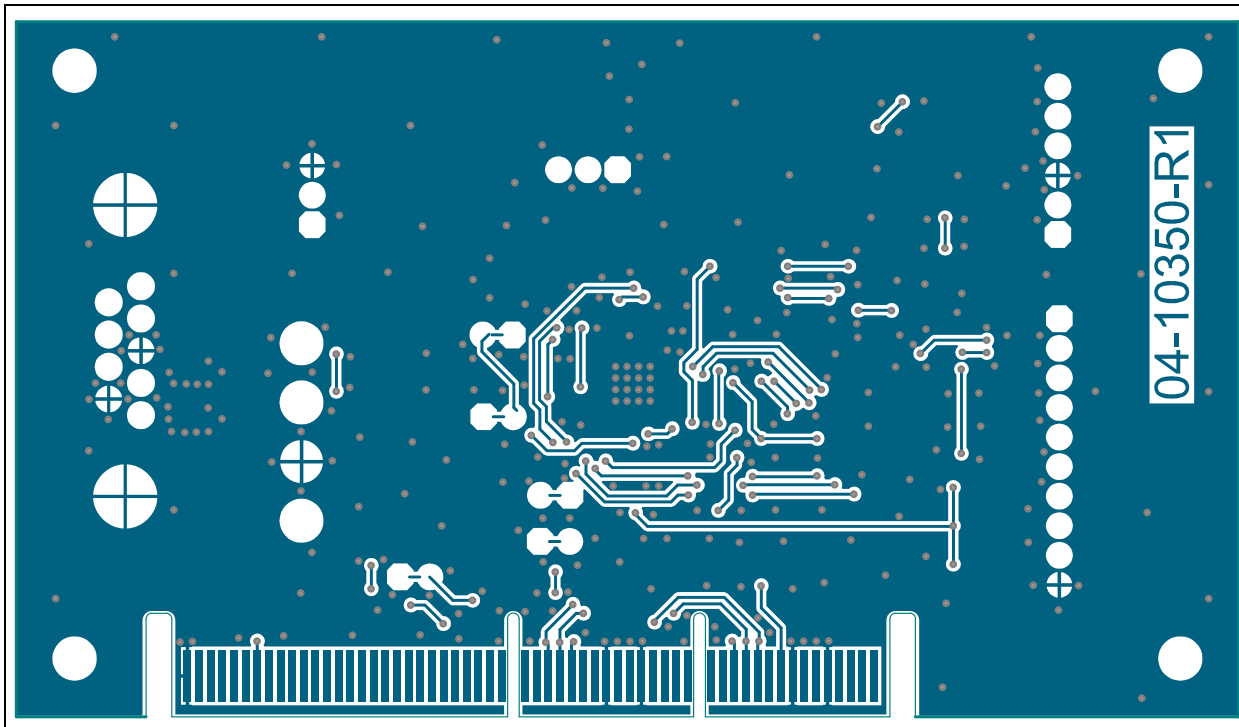


# MCP25625 PICtail™ Plus Daughter Board User's Guide

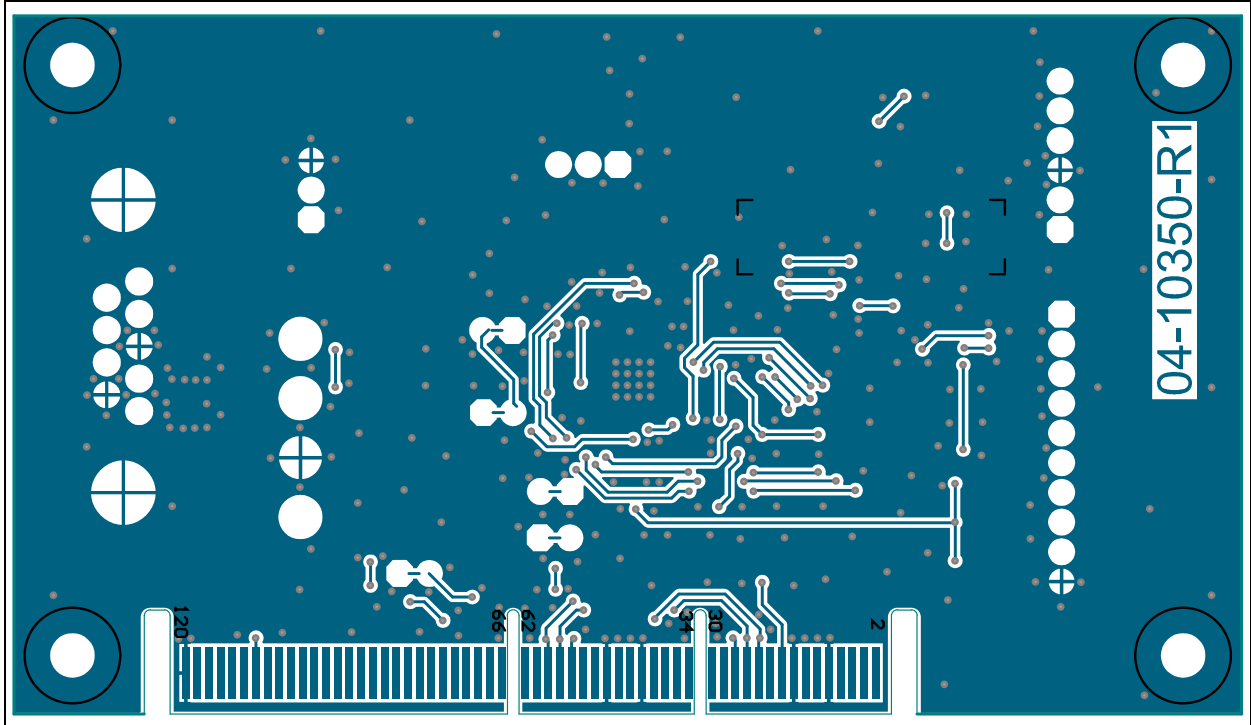
## A.5 BOARD – TOP COPPER



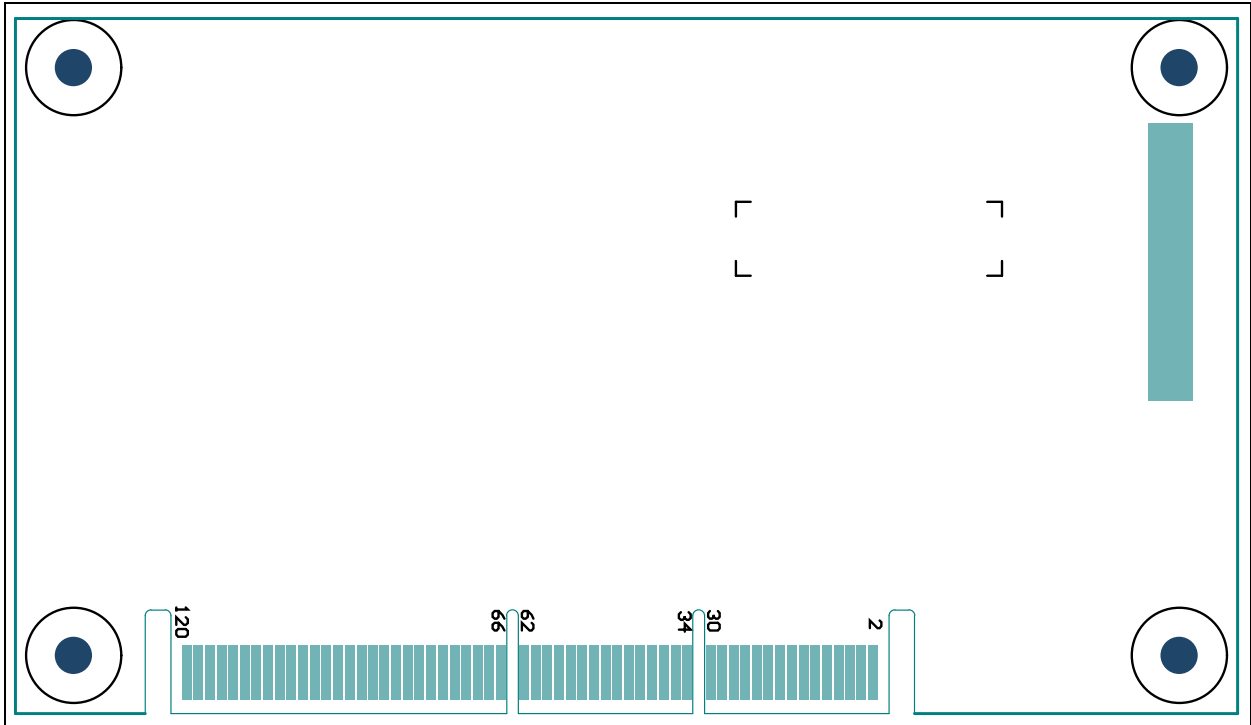
## A.6 BOARD – BOTTOM COPPER



## A.7 BOARD – BOTTOM COPPER AND SILK



## A.8 BOARD – BOTTOM SILK



# MCP25625 PICtail™ Plus Daughter Board User's Guide

---

NOTES:

**Appendix B. Bill Of Materials (BOM)**

**TABLE B-1: BILL OF MATERIALS**

Qty.	Reference	Description	Manufacturer	Part Number
9	+3.3V, +5V, CANH, CANL, TP4, TP5, TP6, TP7, VDD	Conn. TP Loop Tin SMD	Harwin Plc.	S1751-46R
2	C1, C14	Cap. ceramic 10 µF 6.3V 10% X5R SMD 0805	KEMET®	C0805C106K9PACTU
6	C2, C7, C11, C12, C13, C15	Cap. ceramic 0.1 µF 25V 10% X7R SMD 0805	Murata Electronics®	GRM21BR71E104KA01L
2	C8, C10	Cap. ceramic 47 pF 200V 5% C0G, NP0 SMD 0805	KEMET	C0805C470J2GACTU
1	C9	Cap. ceramic 4700 pF 100V 10% X7R SMD 0805	TDK Corporation	C2012X7R2A472K
2	D3, D4	Diode TVS MMBZ27VCLT1G 22V 40W SOT-23-3	ON Semiconductor®	MMBZ27VCLT1G
3	INT, RXD, TXD	Diode LED red 1.7V 20 mA 11.7mcd Diffuse SMD 0805	CML Technologies GmbH & Co. KG	7012X1
1	J1	Conn. header-2.54 male 1x10 Gold 5.84MH TH vert.	Samtec, Inc.	TSW-110-07-L-S
1	J3	Conn. header-2.54 male 1x6 Tin 5.84MH TH vert.	Sullins Connector Solutions	PEC06SAAN
1	J5	Conn. DSUB DE-9 male TH R/A	FCI	10090097-P094VLF
2	JP1, JP2	Conn. header-2.54 male 1x3 Tin 5.84MH TH vert.	Samtec, Inc.	TSW-103-07-T-S
2	JP1_shunt, JP2_shunt	Mech. HW Jumper 2.54 mm 1x2 Handle Gold	TE Connectivity	881545-2
5	JP3, JP4, JP5, JP6, JP7	Conn. header-2.54 male 1x2 Tin 6.10MH TH vert.	Molex®	0022284020
4	PAD1, PAD2, PAD3, PAD4	Mech. HW Rubber pad Cylindrical D7.9 H5.3 black	3M	SJ61A11
1	PCB	RoHS Compliant Bare PCB, MCP25625 PICTail™ Plus Daughter Board	Microchip Technology Inc.	104-10350
4	R1, R2, R3, R6	Res. TKF 10 kΩ 1% 1/8W SMD 0805	Panasonic® – ECG	ERJ-6ENF1002V
3	R4, R5, R7	Res. TKF 470R 1% 1/16W SMD 0805	Stackpole Electronics, Inc.	RMCF0805FT470R
2	R8, R9	Res. TKF 60.4R 1% 1/4W SMD 1206	Yageo Corporation	RC1206FR-0760R4L
1	SW1	Switch Tact. SPST 32V 50 mA KSR231GLFS SMD	C&K Components	KSR231GLFS
1	U2	MCHP Interface CAN MCP25625-E/ML QFN-28	Microchip Technology Inc.	<b>MCP25625T-E/SO</b>
1	X1	Resonator 20M Hz 0.1% SMD CSTCE	Murata Electronics	CSTCE20M0V13L99-R0

**Note:** The components listed in this Bill of Materials are representative of the PCB assembly. The released BOM used in manufacturing uses all RoHS-compliant components.



# MICROCHIP

## Worldwide Sales and Service

### AMERICAS

**Corporate Office**  
2355 West Chandler Blvd.  
Chandler, AZ 85224-6199  
Tel: 480-792-7200  
Fax: 480-792-7277  
Technical Support:  
<http://www.microchip.com/support>  
Web Address:  
[www.microchip.com](http://www.microchip.com)

**Atlanta**  
Duluth, GA  
Tel: 678-957-9614  
Fax: 678-957-1455

**Austin, TX**  
Tel: 512-257-3370

**Boston**  
Westborough, MA  
Tel: 774-760-0087  
Fax: 774-760-0088

**Chicago**  
Itasca, IL  
Tel: 630-285-0071  
Fax: 630-285-0075

**Cleveland**  
Independence, OH  
Tel: 216-447-0464  
Fax: 216-447-0643

**Dallas**  
Addison, TX  
Tel: 972-818-7423  
Fax: 972-818-2924

**Detroit**  
Novi, MI  
Tel: 248-848-4000

**Houston, TX**  
Tel: 281-894-5983

**Indianapolis**  
Noblesville, IN  
Tel: 317-773-8323  
Fax: 317-773-5453

**Los Angeles**  
Mission Viejo, CA  
Tel: 949-462-9523  
Fax: 949-462-9608

**New York, NY**  
Tel: 631-435-6000

**San Jose, CA**  
Tel: 408-735-9110

**Canada - Toronto**  
Tel: 905-673-0699  
Fax: 905-673-6509

### ASIA/PACIFIC

**Asia Pacific Office**  
Suites 3707-14, 37th Floor  
Tower 6, The Gateway  
Harbour City, Kowloon

**Hong Kong**  
Tel: 852-2943-5100  
Fax: 852-2401-3431

**Australia - Sydney**  
Tel: 61-2-9868-6733  
Fax: 61-2-9868-6755

**China - Beijing**  
Tel: 86-10-8569-7000  
Fax: 86-10-8528-2104

**China - Chengdu**  
Tel: 86-28-8665-5511  
Fax: 86-28-8665-7889

**China - Chongqing**  
Tel: 86-23-8980-9588  
Fax: 86-23-8980-9500

**China - Dongguan**  
Tel: 86-769-8702-9880

**China - Hangzhou**  
Tel: 86-571-8792-8115  
Fax: 86-571-8792-8116

**China - Hong Kong SAR**  
Tel: 852-2943-5100  
Fax: 852-2401-3431

**China - Nanjing**  
Tel: 86-25-8473-2460  
Fax: 86-25-8473-2470

**China - Qingdao**  
Tel: 86-532-8502-7355  
Fax: 86-532-8502-7205

**China - Shanghai**  
Tel: 86-21-5407-5533  
Fax: 86-21-5407-5066

**China - Shenyang**  
Tel: 86-24-2334-2829  
Fax: 86-24-2334-2393

**China - Shenzhen**  
Tel: 86-755-8864-2200  
Fax: 86-755-8203-1760

**China - Wuhan**  
Tel: 86-27-5980-5300  
Fax: 86-27-5980-5118

**China - Xian**  
Tel: 86-29-8833-7252  
Fax: 86-29-8833-7256

### ASIA/PACIFIC

**China - Xiamen**  
Tel: 86-592-2388138  
Fax: 86-592-2388130

**China - Zhuhai**  
Tel: 86-756-3210040  
Fax: 86-756-3210049

**India - Bangalore**  
Tel: 91-80-3090-4444  
Fax: 91-80-3090-4123

**India - New Delhi**  
Tel: 91-11-4160-8631  
Fax: 91-11-4160-8632

**India - Pune**  
Tel: 91-20-3019-1500

**Japan - Osaka**  
Tel: 81-6-6152-7160  
Fax: 81-6-6152-9310

**Japan - Tokyo**  
Tel: 81-3-6880-3770  
Fax: 81-3-6880-3771

**Korea - Daegu**  
Tel: 82-53-744-4301  
Fax: 82-53-744-4302

**Korea - Seoul**  
Tel: 82-2-554-7200  
Fax: 82-2-558-5932 or  
82-2-558-5934

**Malaysia - Kuala Lumpur**  
Tel: 60-3-6201-9857  
Fax: 60-3-6201-9859

**Malaysia - Penang**  
Tel: 60-4-227-8870  
Fax: 60-4-227-4068

**Philippines - Manila**  
Tel: 63-2-634-9065  
Fax: 63-2-634-9069

**Singapore**  
Tel: 65-6334-8870  
Fax: 65-6334-8850

**Taiwan - Hsin Chu**  
Tel: 886-3-5778-366  
Fax: 886-3-5770-955

**Taiwan - Kaohsiung**  
Tel: 886-7-213-7828

**Taiwan - Taipei**  
Tel: 886-2-2508-8600  
Fax: 886-2-2508-0102

**Thailand - Bangkok**  
Tel: 66-2-694-1351  
Fax: 66-2-694-1350

### EUROPE

**Austria - Wels**  
Tel: 43-7242-2244-39  
Fax: 43-7242-2244-393

**Denmark - Copenhagen**  
Tel: 45-4450-2828  
Fax: 45-4485-2829

**France - Paris**  
Tel: 33-1-69-53-63-20  
Fax: 33-1-69-30-90-79

**Germany - Dusseldorf**  
Tel: 49-2129-3766400

**Germany - Karlsruhe**  
Tel: 49-721-625370

**Germany - Munich**  
Tel: 49-89-627-144-0  
Fax: 49-89-627-144-44

**Italy - Milan**  
Tel: 39-0331-742611  
Fax: 39-0331-466781

**Italy - Venice**  
Tel: 39-049-7625286

**Netherlands - Drunen**  
Tel: 31-416-690399  
Fax: 31-416-690340

**Poland - Warsaw**  
Tel: 48-22-3325737

**Spain - Madrid**  
Tel: 34-91-708-08-90  
Fax: 34-91-708-08-91

**Sweden - Stockholm**  
Tel: 46-8-5090-4654

**UK - Wokingham**  
Tel: 44-118-921-5800  
Fax: 44-118-921-5820

07/14/15