

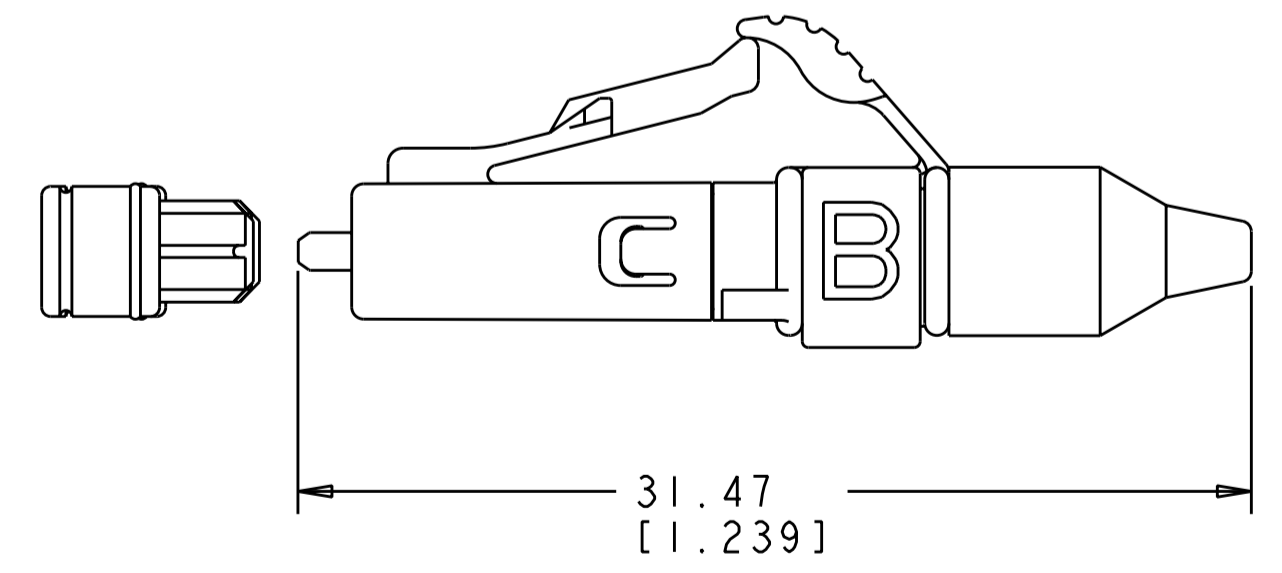
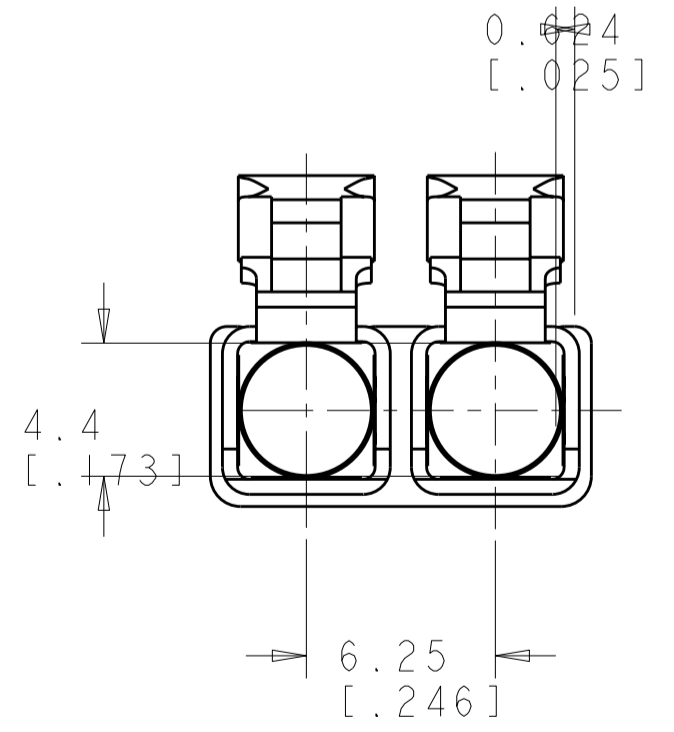
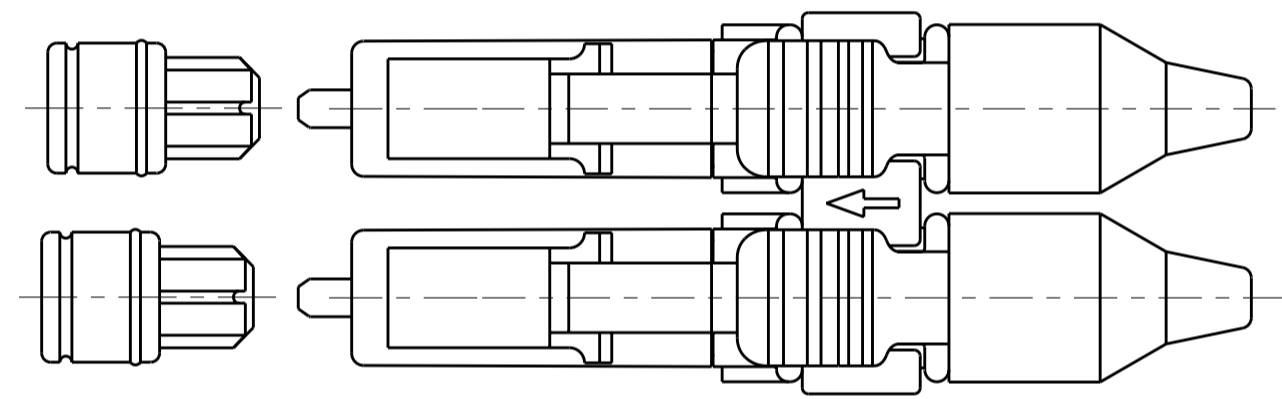
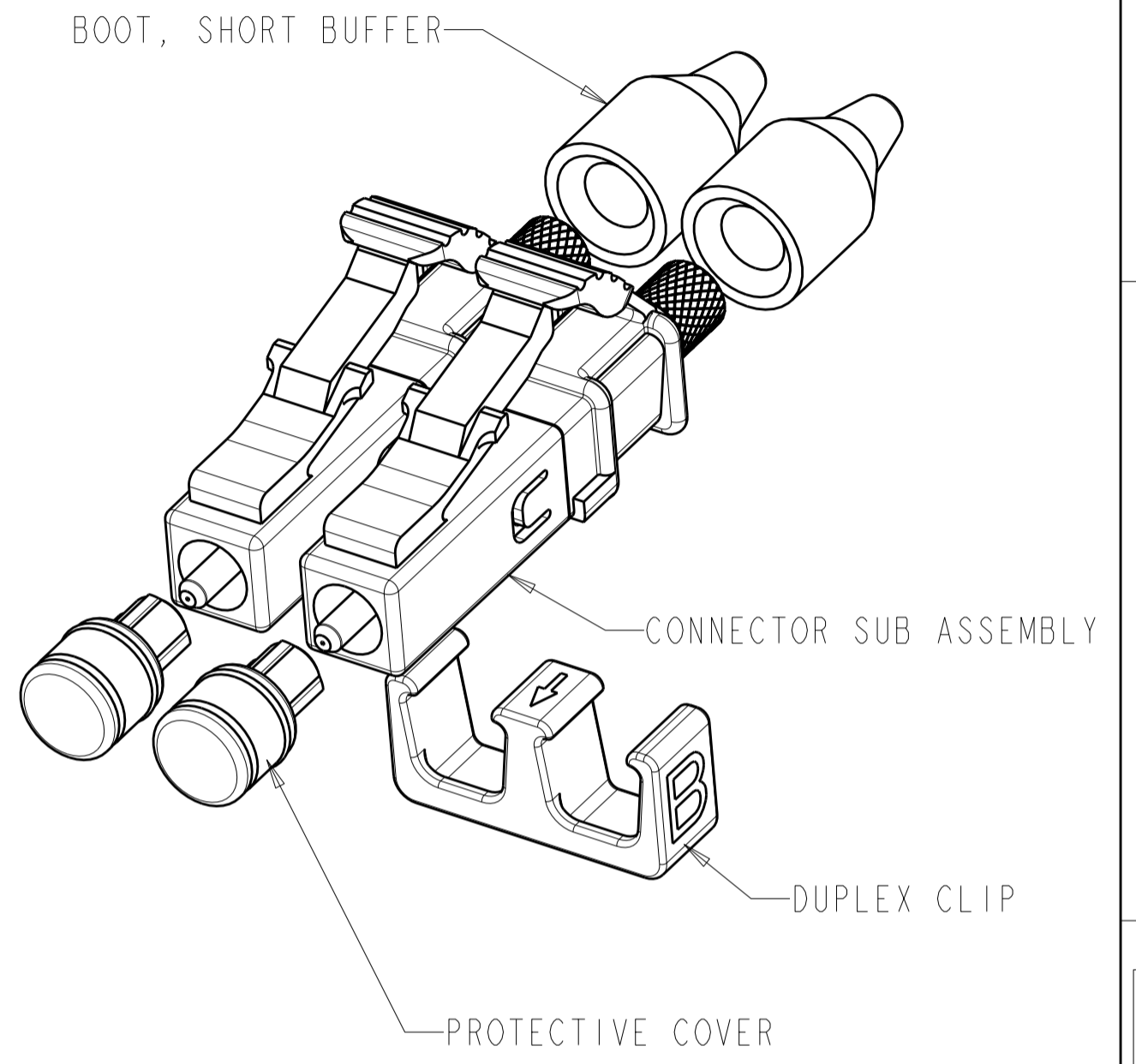
THIS DRAWING IS UNPUBLISHED. RELEASED FOR PUBLICATION 20
 © COPYRIGHT 20 BY TYCO ELECTRONICS CORPORATION. ALL RIGHTS RESERVED.

LOC	DIST	REVISIONS			
P	LTR	DESCRIPTION	DATE	DWN	APVD
CE	00	A	RELEASE TO ACTIVE STATUS	09JUN2006	ESM DR

⚠ MATERIAL: PROTECTIVE COVER : TPE, COLOR:BLACK, UL 94 HB. *
 FERRULE SUB ASSEMBLY: ZIRCONIA/METAL.
 COMPRESSION SPRING: STAINLESS STEEL.
 FRONT HOUSING: PEI, COLOR:BEIGE, UL 94 V-0. *
 INNER TUBING: PTFE, COLOR:CLEAR, UL VW-1.
 REAR BODY: PEI/METAL, COLOR:BEIGE, UL 94 V-0. *
 DUPLEX CLIP: PEI, COLOR:BEIGE, UL 94 V-0.*
 BOOT: TPE, COLOR:BEIGE, UL 94 V-0. *
 *RATED AT QUALIFYING THICKNESS.

⚠ BULK PACKAGED

3. INSTRUCTION SHEET: 408-8675.



⚠	6588708-2
	6588708-1
	PART NUMBER

THIS DRAWING IS A CONTROLLED DOCUMENT FOR TYCO ELECTRONICS CORPORATION IT IS SUBJECT TO CHANGE AND THE CONTROLLING ENGINEERING ORGANIZATION SHOULD BE CONTACTED FOR THE LATEST REVISION.		DWN E. HOPKINS 01 JUN 2005	 Tyco Electronics Harrisburg, PA 17105-3608
DIMENSIONS: MM/[IN]		CHK D. ROHDE 01 JUN 2005	
TOLERANCES UNLESS OTHERWISE SPECIFIED:		APVD S. BUCHTER 01 JUN 2005	
0 PLC ± 1 PLC ±0.1/[0.004] 2 PLC ±0.01/[0.0004] 3 PLC ± 4 PLC ± ANGLES ± FINISH ±		NAME S. BUCHTER	
MATERIAL		PRODUCT SPEC	CONNECTOR KIT, LC, DUPLEX MM, BUFFER
		APPLICATION SPEC	SIZE CAGE CODE DRAWING NO
		WEIGHT	A2 00779 C-6588708
		CUSTOMER DRAWING	RESTRICTED TO
		SCALE 4:1	SHEET OF REV A