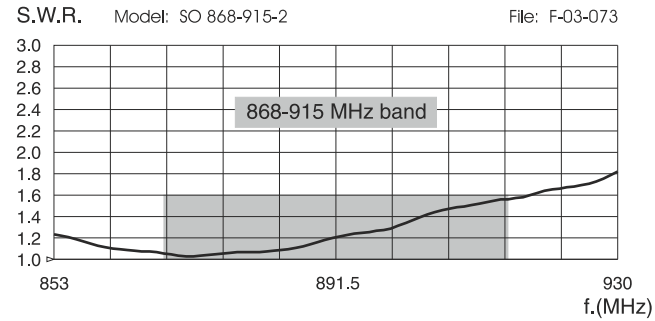


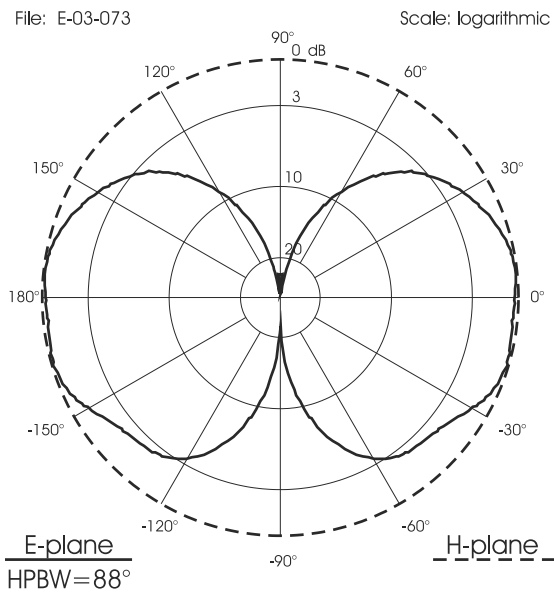
SO 868-915

Base Station Antenna ISM LoRa 868 MHz & 915 MHz bands

TYPICAL S.W.R. RESPONSE



TYPICAL RADIATION PATTERN at 868 MHz



SO 868-915



SO 868-915 w/cable

DESCRIPTION

Base station antennas conceived for ISM LoRa systems working on 868 MHz & 915 MHz. The radiant colinear dipoles are made of PCB and protected by a strong fiberglass tube. SO 868-915-2 are available in 2 versions: N-f connector (fitted at the bottom) or supplied with 5m Low Loss cable directly connected and SMA-male (other type on request).

SPECIFICATIONS

	SO 868-915-2 N-f connector	SO 868-915-2 cable version
Electrical Data		
Type	1/2 λ Dipole	
Frequency Range @ SWR ≤ 1.5	868 - 915 Mhz	
Impedance	50 Ω	
Antenna detection DC resistance	on request	
Radiation (H-plane)	360° omnidirectional	
Radiation (E-plane) Beamwidth @ -3 dB:	88°	
Radiation angle deg.	0°	
Polarization	Linear Vertical	
Gain	2.2 dBi	
Max Power (CW) @ 30° C	20 Watts	
Cable Type / Length	/	White Low Loss cable / 5m, 16.4 ft
Connector	N-female, gold plated central pin	SMA-male, other type on request
Mechanical Data		
Housing & Radome Material	Fiberglass, PCB, Anodized aluminium, chromed brass	
Bracket & Hardware Material	Galvanized steel	
Wind Load @ 150 Km/h, 93 mi/h	14 N	
Wind Resistance	200 Km/h, 124 mi/h	
Wind Surface	0.011 m ² ; 0.12 ft ²	
Height (approx.)	290 mm, 0.951 ft	
Weight (without bracket, approx.)	235 gr, 0.52 lb	335 gr, 0.74 lb
Operating Temperature	-40 °C to +80 °C	
Installation type	Mast: Ø 35-54 mm, Ø 1.4-2.1 in with V-bolt	M3 bracket: Mast: Ø35-42mm, Ø1.4-1.65 in with U-bolt Wall: with screws (not included)

Version with
N-female
connector



Version with
Low Loss
cable

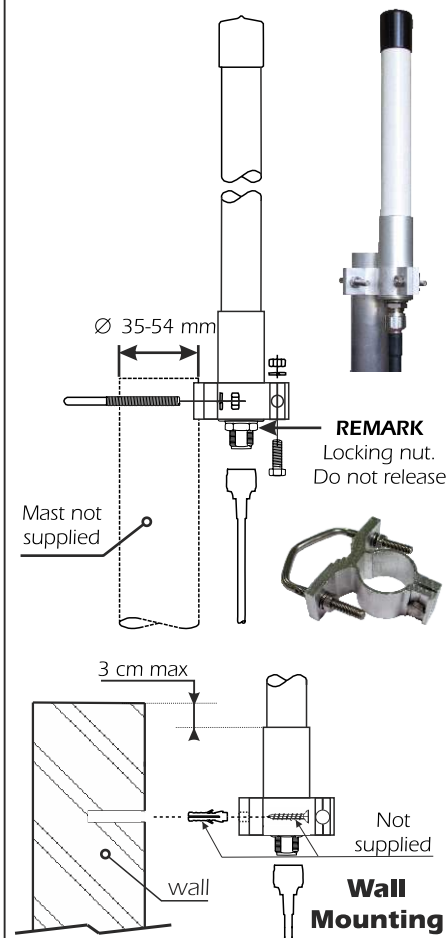


HI-QUALITY ANTENNAS MADE IN ITALY

ID466

MOUNTING INSTRUCTIONS

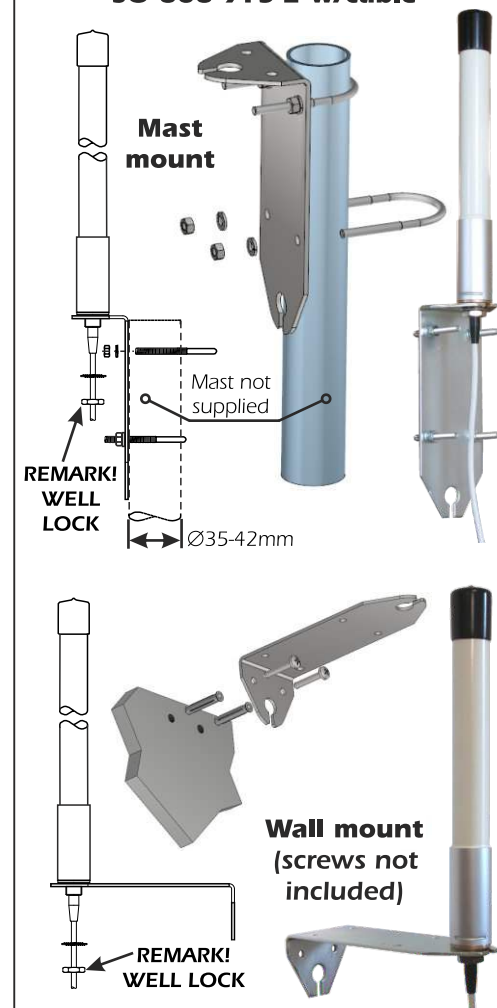
SO 868-915-2



Fixing bracket part list

Q.ty	Description
1	Extruded aluminium bracket
1	M6x188 V-bolt
1	M6x20 Exagonal head screw
3	M6 Spring lock washer
3	M6 Hexagonal nut
Materials:	extruded aluminum
Hardware:	stainless steel
Dimensions:	80 x 76 x 25 mm
Weight:	110 g
Re-order code: SA161	

SO 868-915-2 w/cable



U-BOLTS re-order code: SA008

Q.ty	Description
2	M6 U-bolt
4	M6 Exagonal nut
4	M6 Flat washer
4	M6 Spring lock washer

BRACKET re-order code: ST07404

Materials:	galvanized steel
Dimensions:	195 x 60 x 70 mm
Weight:	345 g