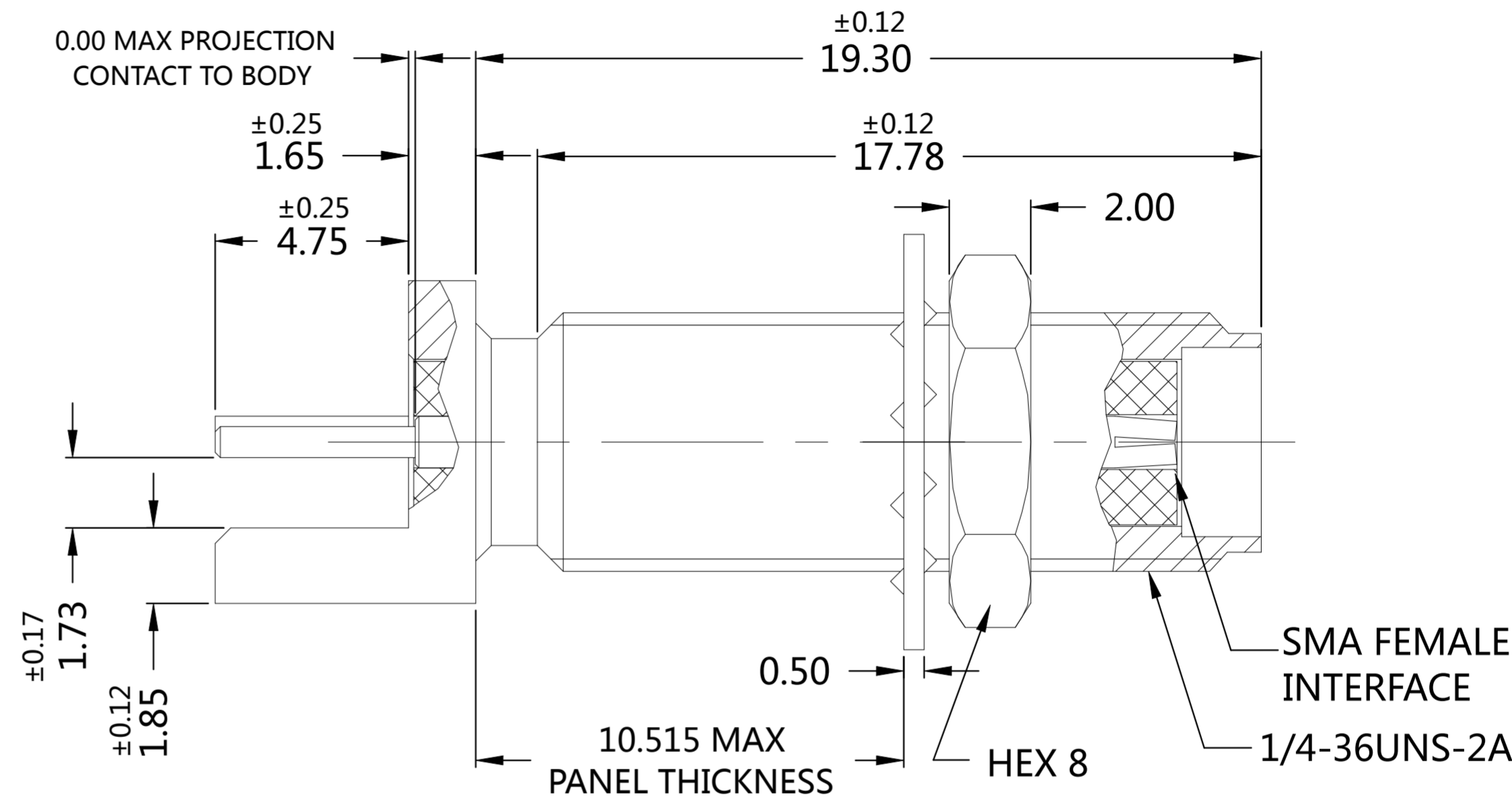
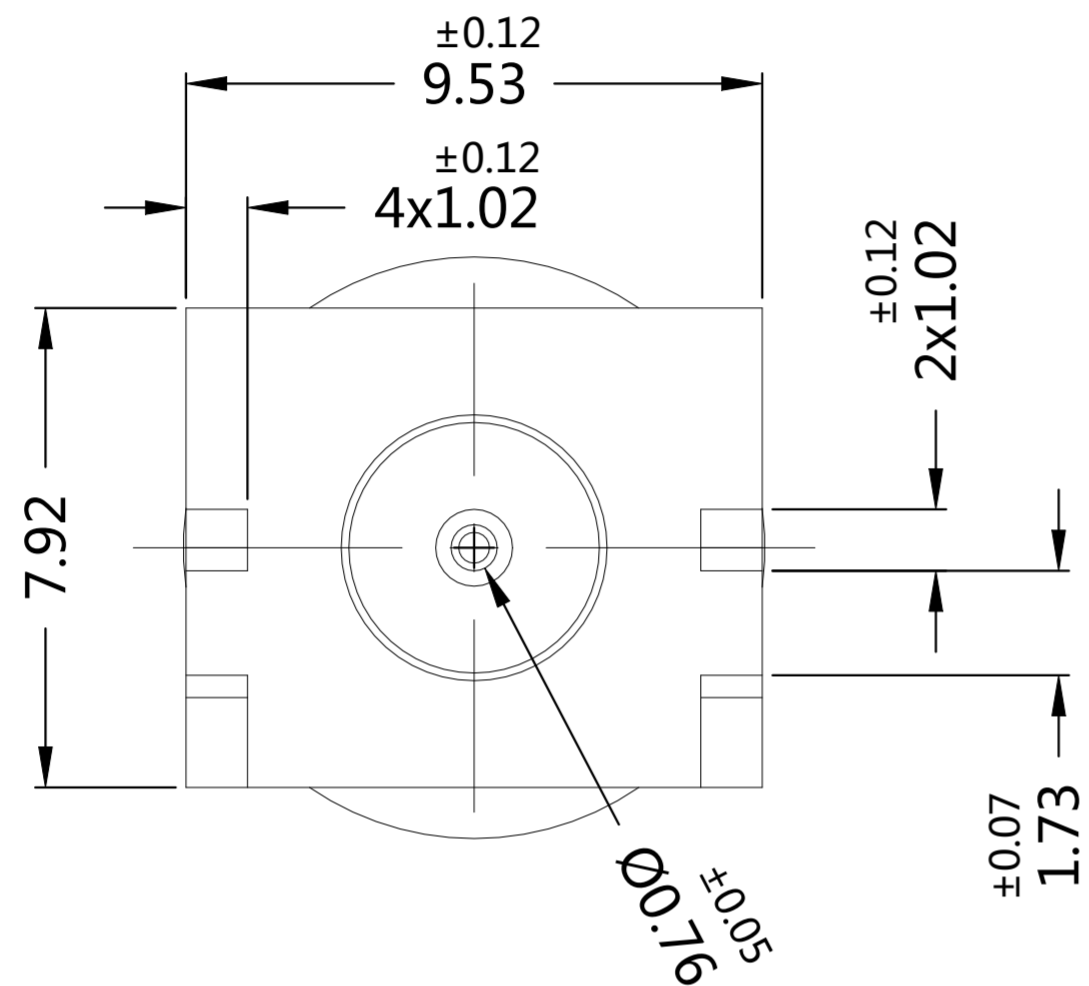


REVISIONS					
P	LTR	DESCRIPTION	DATE	DWN	APVD
A		REVISED PER ECN-21-101691	26MAR2021	ED	WH



- NOTES:
- 1 PACK IN ACCORDANCE WITH TE SPEC 107-3275
  - 2 ALL DIMENSIONS ARE NOMINAL FOR REFERENCE ONLY UNLESS OTHERWISE STATED
  - 3 GOLD PLATING 1.27um MIN OVER NIKEL PLATING 1.27um MIN OVER COPPER PLATING 1.27um MIN
  - 4 GOLD PLATING 0.254um MIN OVER NIKEL PLATING 1.27um MIN OVER COPPER PLATING 1.27um MIN

ELECTRICAL	MECHANICAL	ENVIRONMENTAL
Impedance (Ohm) _50	Interface Dimension MIL-STD-348B Fig. _310-2	TEMPERATURE RANGE -65°C TO + 165°C
Frequency Range (GHz) _DC to 27GHz	Recommended Coupling Torque _7 to 10 In-Lbs	THERMAL SHOCK _MIL-STD-202, METH.107, COND.B
Voltage Rating (Peak) _@ Sea Level 335 V RMS	Force to Engage and Disengage (In/lbs) _2.0 MAX	CORROSION _MIL-STD-202, METH.101, COND.B
Insulation Resistance (MIN.) _5000 M ohms	Center Contact Captivation Axial (Lbs) _6.0 Radial (In/Oz) _N/A	VIBRATION _MIL-STD-202, METH.204, COND.D
Contact Resistance (Milliohms MAX) Center Contact _3.0 Outer Contact _2.0	Cable Retention Axial (Lbs) _N/A	SHOCK _MIL-STD-202, METH.213, COND.I
Dielectric Withstand Voltage: _750 V RMS Max	Mating cycles _500 cycles	MOISTURE RESISTANCE _MIL-STD-202, METH.106,
Insertion Loss : _DEPENDENT ON APPLICATION		ROHS _COMPLIANT
VSWR: _DEPENDENT ON APPLICATION		
RF leakage: _N/A		
3rd Intermodulation: _N/A		

QUANTITY	PER ASSY	PARTS LIST
1	/	PVC/SILICONE DUST CAP 4
1	/	PTFE INSULATOR 3
1	3	BeCu CENTER CONTACT 2
1	4	BRASS BODY 1
2081875-1	PLATING	MATERIAL DESCRIPTION ITEM

THIS DRAWING IS A CONTROLLED DOCUMENT.

DWN ED 29DEC2020	 TE Connectivity EP-SMA,JACK,STRAIGHT,27GHz, END LAUNCH, -
CHK RZ 29DEC2020	
APVD WH 29DEC2020	
PRODUCT SPEC 108-160152	
MATERIAL SEE TABLE	APPLICATION SPEC -
DIMENSIONS: mm	TOLERANCES UNLESS OTHERWISE SPECIFIED:
0 PLC ± -	1 PLC ± 0.3
1 PLC ± 0.2	2 PLC ± 0.1
2 PLC ± 0.1	3 PLC ± -
3 PLC ± -	4 PLC ± 5°
4 PLC ± -	FINISH -
WEIGHT 3.2g	SCALE 10:1
CAGE CODE A2 00779	SHEET 1 OF 1
DRAWING NO C=2081875	REV A
CUSTOMER DRAWING	