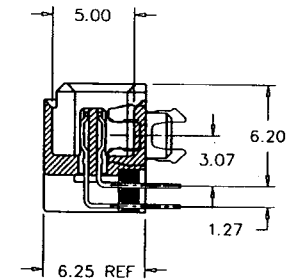
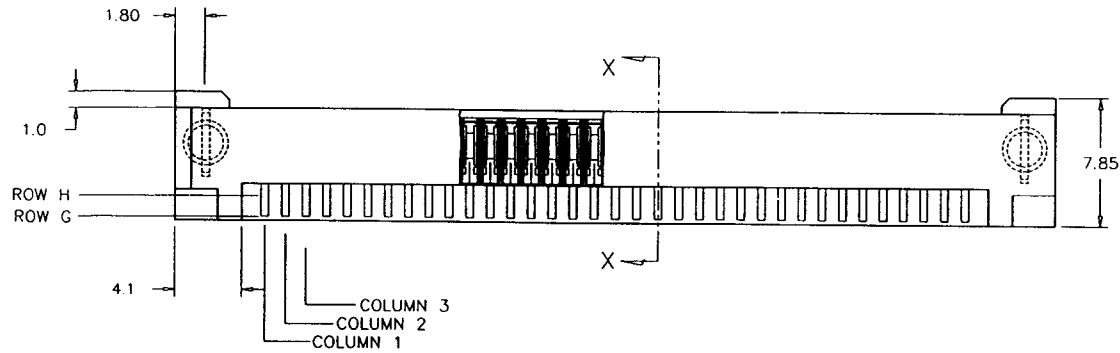
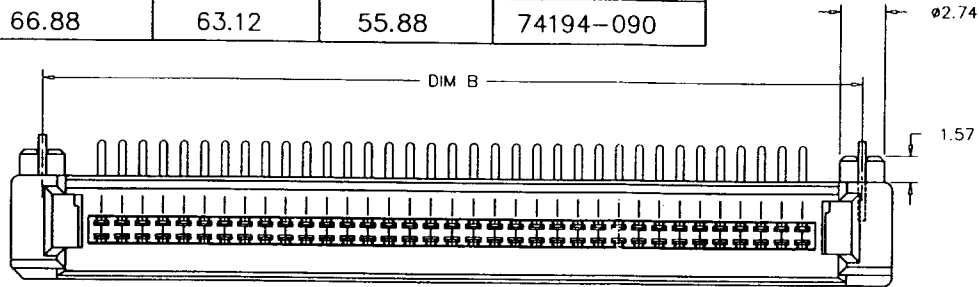
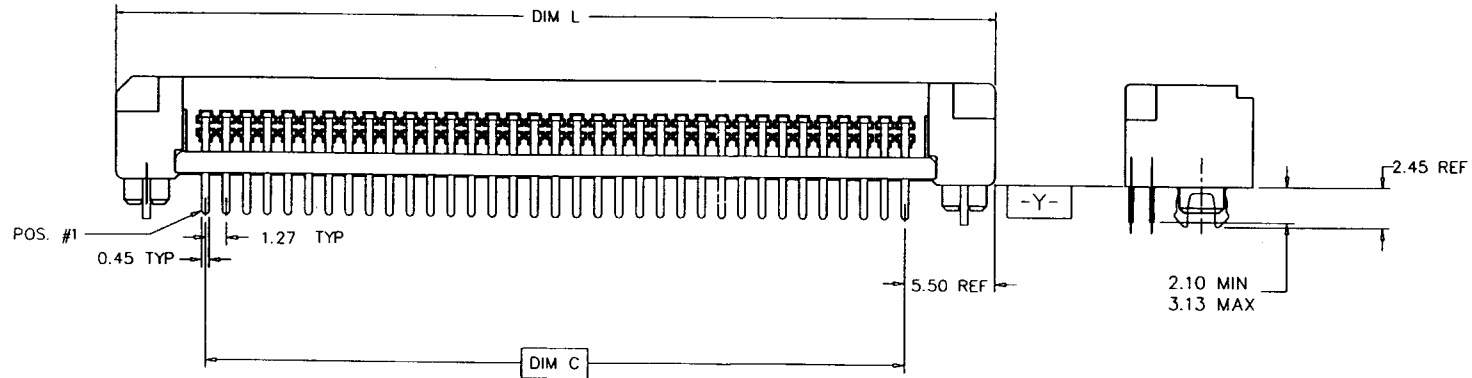


PRODUCT NO.	SIZE	DIM L	DIM B	DIM C	HOUSING P/N
74192-070	2 x 35	54.18	50.42	43.18	74194-070
74192-090	2 x 45	66.88	63.12	55.88	74194-090



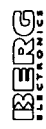
SECT X-X



mat'l code				tolerance unless otherwise specified		CUSTOMER COPY			
rev.	ecn no.	dr	date	linear	.0 ± 0.3 .00 ± 0.13 .000 ± 0.051	projection	title		
A	170447	P P	10/20/97	angles	± 2°		MODULEMATE SPECIAL R/A HEADER FOR MATROX		
				dr	PETER PAM 10/20/97	unit	product family modulermate	code	
				enqr	H C LIOU 10/20/97	mm/inch	size	dwg no.	
				chr	H C LIOU 10/20/97	scale	A3	74192	
				appd	JENN TSAO 10/20/97	2.5:1		sheet 1 OF 3	
sheet index	revision sheet	A 1	A 2	A 3					

Tous droits strictement reserves. Reproduction ou communication a des tiers int sous quelque forme que ce soit sans autorisation écrite du propriétaire. Droits de reproduction: BERG ELECTRONICS by

All rights strictly reserved. Reproduction or issue to third parties in any for whatever is not permitted without written authority from the proprietor. Copyright BERG ELECTRONICS by



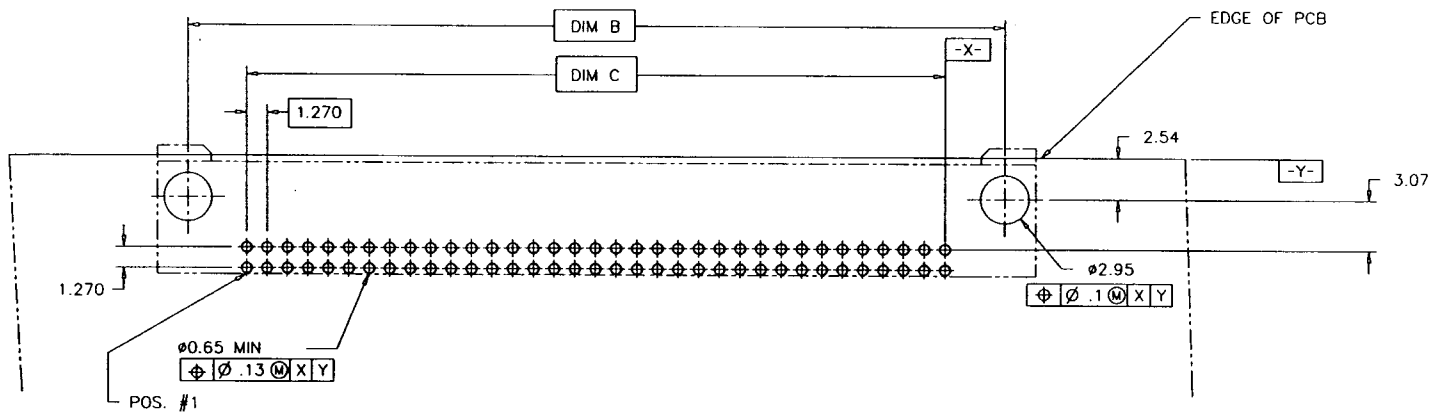
PRODUCT NO.

SEE SHEET 1

Tous droits strictement réservés. Reproduction ou communication à des tiers sans autorisation écrite du propriétaire.
 All rights strictly reserved. Reproduction or communication to third parties without written authority from the proprietor.
 Copyright BERG ELECTRONICS by



All rights strictly reserved. Reproduction or issue to third parties in any form without written authority from the proprietor.
 Copyright BERG ELECTRONICS by



RECOMMENDED PCB LAYOUT

mat'l code		tolerance unless otherwise specified		CUSTOMER COPY		BERG ELECTRONICS	
rev.	ecn no.	dr	date	linear	.0 ± 0.3	projection	title LOWER PROFILE MODULEMATE SPECIAL R/A HEADER FOR MATROX
A					.00 ± 0.13		
				angles	.000 ± 0.051		
				dr	PETER PAM 10/20/97	unit	product family modulemate code
				enqr	H C LIU 10/20/97	mm/inch	size dwg no.
				chr	H C LIU 10/20/97	scale	2.5:1 A3 74192
				appd	JENN TSAO 10/20/97		sheet 2 OF 2
sheet	revision						
index	sheet						

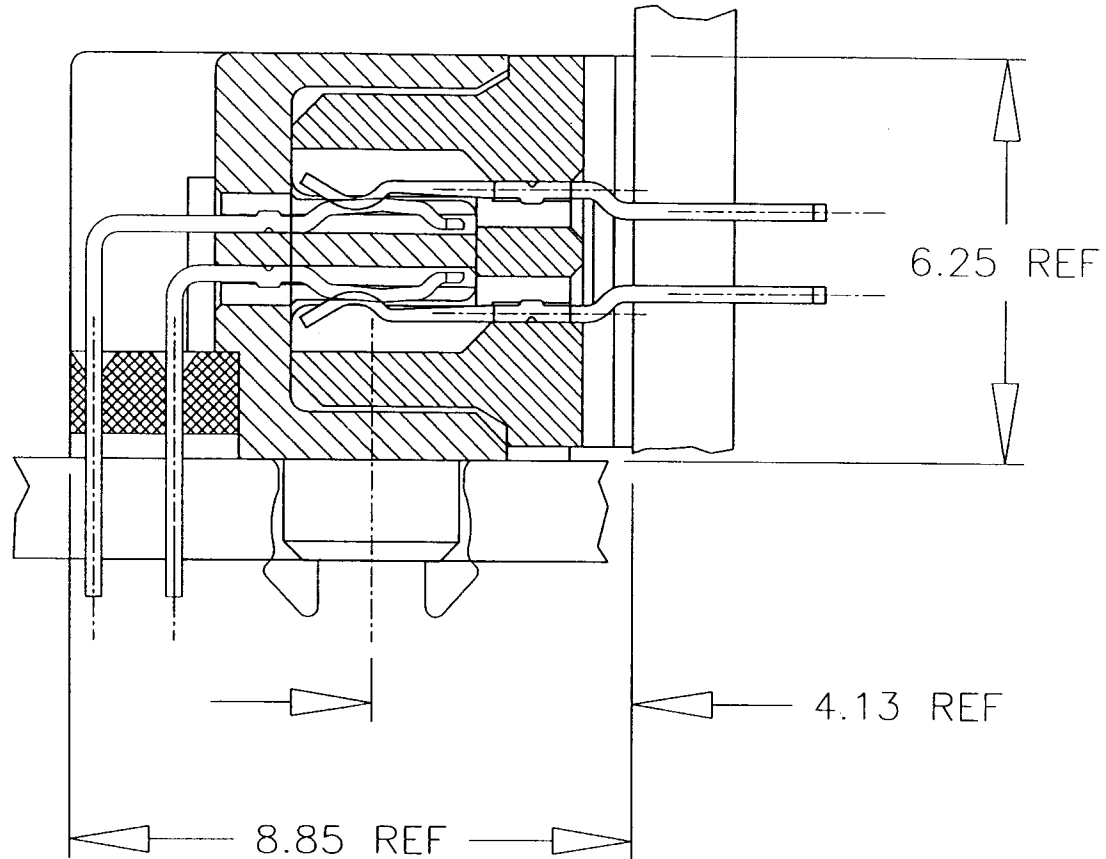
PRODUCT NO.

SEE SHEET 1

Tous droits strictement reserves. Reproduction ou communication a des tiers int
sous quelque forme que ce soit sans autorisation écrite du propriétaire.
Property of c BERG ELECTRONICS.
Copyright BERG ELECTRONICS by



All rights strictly reserved. Reproduction or issue to third parties in any for
whenever is not permitted without written authority from the proprietor.
Property of c BERG ELECTRONICS.
Copyright BERG ELECTRONICS by



FEATURES:

- PITCH = 1.27mm/.05 AT CONTACT INTERFACE
- POSTURE:
RIGHT ANGLE HEADER
VERTICAL RECEPTACLE
- NUMBER OF POSITIONS: 70, 90
- PCB RETENTION HOOK ON HEADER
- RECEPTACLE TERMINAL MATERIAL:
PHOS-BRONZE WITH 15u"/0.38u MIN PdNi MIN IN CONTACT AREA
AND 100u"/2.54u MIN SnPb IN SOLDER TAIL AREA
HEADER TEMINAL MATERIAL:
PHOS-BRONZE WITH 15u"/0.38u MIN PdNi MIN IN CONTACT AREA
AND 100u"/2.54u MIN SnPb IN SOLDER TAIL AREA
HOUSING MATERIAL: LCP, COLOR IS BLACK

mat'l code		tolerance unless otherwise specified		CUSTOMER COPY	BERG ELECTRONICS	
rev.	ecn no.	dr	date	linear	.0 ± 0.3	projection
A				.00 ± 0.13		
				.000 ± 0.051		
				angles	± 2°	title LOWER PROFILE MODULEMATE SPECIAL R/A HEADER FOR MATROX product family modulemate code size dwg no. A3 74192 sheet 3 OF 3
				dr	PETER PAM 10/20/97	
				enqr	H C LIU 10/20/97	
				chr	H C LIU 10/20/97	
				oppd	JENN TSAO 10/20/97	
sheet	revision			unit	mm/inch	scale
index	sheet			2.5:1		