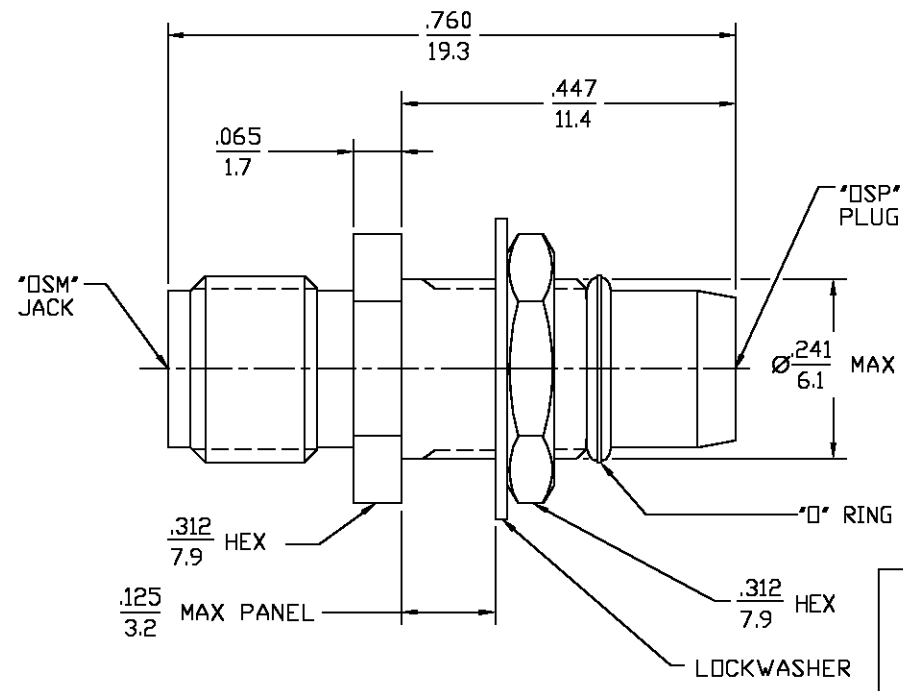


REVISIONS			
REV	DESCRIPTION	DATE	APPROVED
01 0	RELEASED	1/15/97	PCW
B	REVISED PER ECN 0U20-0262-01	GV 01/06/03	JGH



NOTE:
1. CAPTURED CENTER CONTACT

.XXX = in
XX.X = mm (REF)

HOUSING	STAINLESS STEEL PER ASTM-A484 AND ASTM-A582, TYPE 303	PASSIVATE PER QQ-P-35
MOUNTING NUT		
LOCKWASHER		
DIELECTRIC	TFE FLUOROCARBON PER ASTM-D-1457	N/A
CENTER CONTACT	BERYLLIUM COPPER PER ASTM-B-196 OR ASTM-B-197, ALLOY C17300, CONDITION H	GOLD PLATE PER MIL-G-45204
O-RING	FLOUROSILICONE PER MIL-R-25988, CLASS I, TYPE I.	N/A

COMPONENT	MATERIAL	FINISH
-----------	----------	--------

UNLESS OTHERWISE SPECIFIED DIMENSIONS ARE IN INCHES	DRAWN BY <i>PCW</i> DATE 12/18/96	AMP AMP Incorporated 140 Fourth Avenue Waltham, MA 02451-7599
FRAC. DEC. ANGLES ± 1/64 ± .005 ± 1'	CHECKED BY	
	APPT'D BY <i>PCW</i> 1/15/97	

These drawings and specifications are the property of M/A COM Interconnect Div. and shall not be reproduced or in part as the basis for the manufacture or sale of item(s) without written permission.	USE ASS'Y PROCEDURE	TITLE DSM JACK TO DSP BULKHEAD FEEDTHROUGH PLUG ADAPTER	
	NO. A.P. N/A	SIZE B	REV 01 0
		CODE IDENT NO. 26805	4585-4030-02

SCALE 5:1	N/A	SHEET 1 OF 1
-----------	-----	--------------

CUSTOMER DRAWING

AMP PART # 1083442-1
SHEET 1 OF 1 REV B