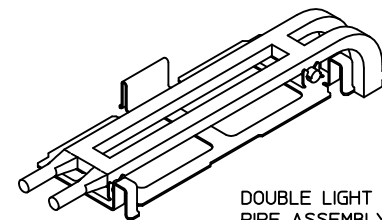
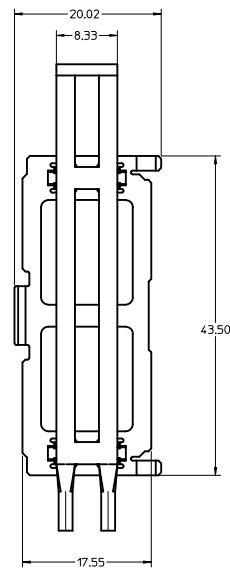
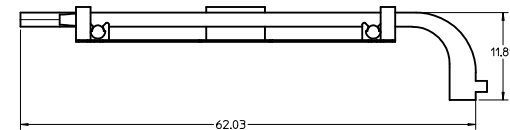
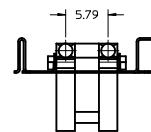
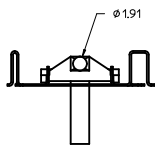


SINGLE LIGHT
PIPE ASSEMBLY
(74750-0030)



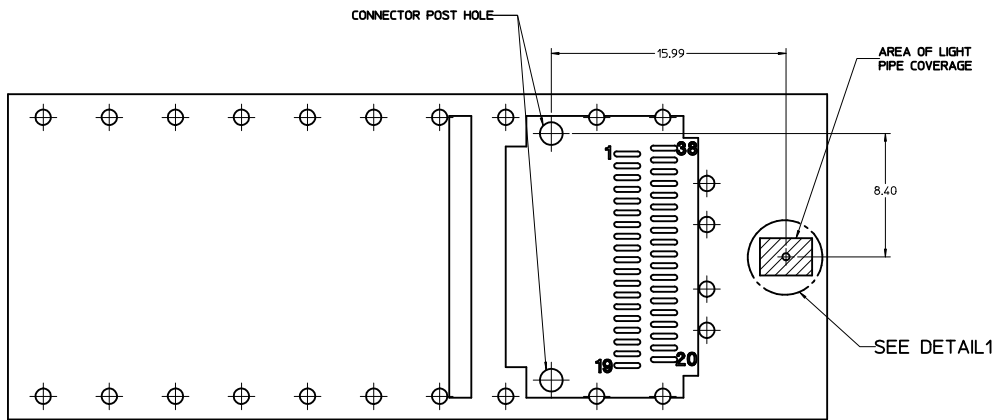
DOUBLE LIGHT
PIPE ASSEMBLY
(74750-0031)



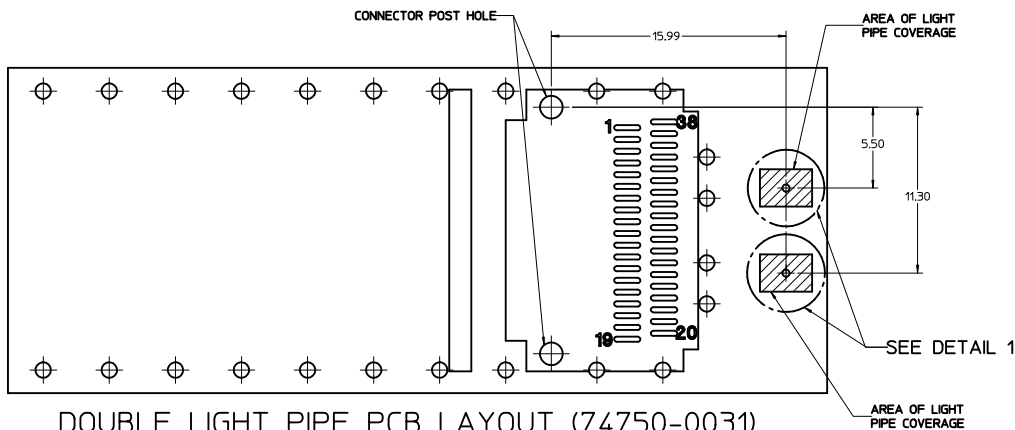
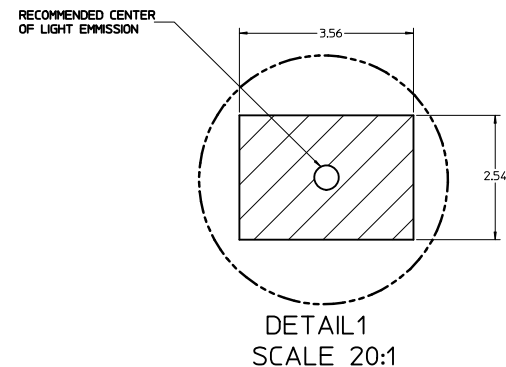
NOTES:

1. MATERIALS:
LIGHT PIPE CLIP: UNPLATED STAINLESS STEEL
LIGHT PIPE: CLEAR LEXAN
2. THESE LIGHT PIPE ASSEMBLIES TO BE USED WITH THE QSFP CAGE ASSEMBLY (74750-0001)
3. IT IS RECOMMENDED THAT THE CAGE ASSEMBLY BE PRESSED INTO THE PCB PRIOR TO ASSEMBLING THE LIGHT PIPE ASSEMBLY
4. RECOMMENDED LED'S INCLUDE THE FOLLOWING MANUFACTURERS:
DIALIGHT: 597-77X1-5XX SERIES
CHICAGO MINIATURE: 7016 SERIES
KINGBRIGHT: APBL3025 SERIES (BICOLOR)
APL3015 SERIES (SINGLE COLOR)
5. THIS PRODUCT MEETS THE RESTRICTION OF HAZARDOUS SUBSTANCES IN ELECTRICAL AND ELECTRONIC EQUIPMENT (RoHS) DIRECTIVE (2002/95/EC)

ENTER DESCRIPTION IEC NO. USY2010-0460 DRAWN BY CHYKORUSSELL 2007/01/10 CHECKED BY APPROV:RAHMOOD 2010/03/31	QUALITY SYMBOLS ▽=0 ▽=0	GENERAL TOLERANCES (UNLESS SPECIFIED)		DIMENSION STYLE MM ONLY	SCALE 3:1	DESIGN UNITS METRIC	<input checked="" type="checkbox"/> THIRD ANGLE PROJECTION		
		4 PLACES ± mm INCH ± ---	3 PLACES ± --- ± ---	2 PLACES ± 0.13 ± ---	1 PLACE ± 0.25 ± ---	TITLE QSFP LIGHT PIPE ASSEMBLIES			
		ANGULAR ± 1 °		DRAFT WHERE APPLICABLE MUST REMAIN WITHIN DIMENSIONS		APPROVED BY RAHMOOD 2010/03/31		MOLEX INCORPORATED	
		WATERL NO. SEE ABOVE		DOCUMENT NO. SD-74750-0030		SHEET NO. 1 OF 4			

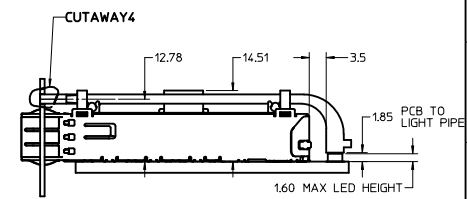
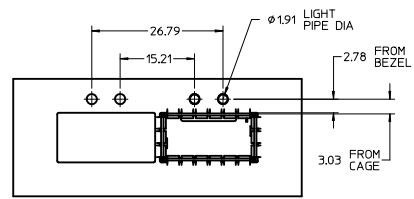
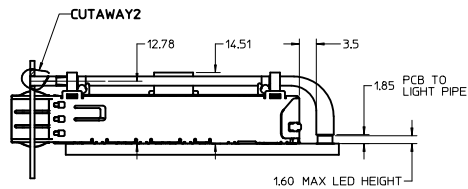
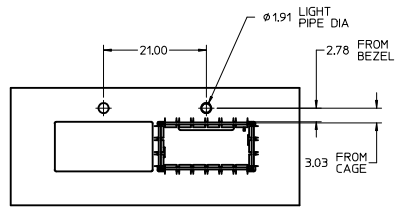
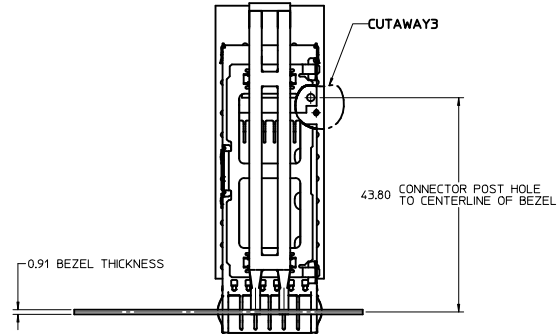
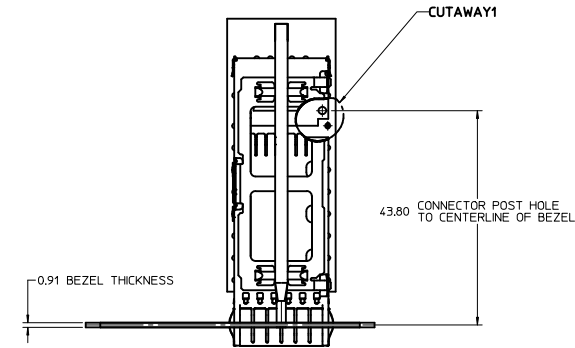


SINGLE LIGHT PIPE PCB LAYOUT (74750-0030)



DOUBLE LIGHT PIPE PCB LAYOUT (74750-0031)

ENTER DESCRIPTION IEC NO. USY2010-0460 DRAWN BY CHIRRSCHY 2008/07/08 CHECKED BY CHYD BRUSSELL 2007/01/10 APPROVED BY APPR:RAHMOOD 2010/03/31	QUALITY SYMBOLS	GENERAL TOLERANCES (UNLESS SPECIFIED)	DIMENSION STYLE	SCALE	DESIGN UNITS	THIRD ANGLE PROJECTION
	▼=0 ▽=0	mm INCH 4 PLACES ± --- ± --- 3 PLACES ± --- ± --- 2 PLACES ± 0.13 ± --- 1 PLACE ± 0.25 ± --- ANGULAR ± 1°	MM ONLY DRAWN BY DATE CHIRRSCHY 2007/01/10 CHECKED BY DATE BRUSSELL 2007/01/10 APPROVED BY DATE RAHMOOD 2010/03/31	6:1	METRIC	TITLE QSFP LIGHT PIPE ASSEMBLIES
	DRAFT WHERE APPLICABLE MUST REMAIN WITHIN DIMENSIONS	SEE SHEET 1	MATERIAL NO. DOCUMENT NO.	MOLEX INCORPORATED SD-74750-0030	SHEET NO. 2 OF 4	
		THIS DRAWING CONTAINS INFORMATION THAT IS PROPRIETARY TO MOLEX INCORPORATED AND SHOULD NOT BE USED WITHOUT WRITTEN PERMISSION				



ENTER DESCRIPTION IEC NO. USY2010-0460 DRAWN BY CHIRRSCHY 2008/07/08 CHECKED BY CHYD BRUSSELL 2007/01/10 APPROVED BY APPR:RMAHMOOD 2010/03/31	QUALITY SYMBOLS	GENERAL TOLERANCES (UNLESS SPECIFIED)	DIMENSION STYLE	SCALE	DESIGN UNITS	THIRD ANGLE PROJECTION
	▼=0 ▽=0	mm INCH 4 PLACES ± --- ± --- 3 PLACES ± --- ± --- 2 PLACES ± 0.13 ± --- 1 PLACE ± 0.25 ± --- ANGULAR ± 1°	MM ONLY	2:1	METRIC	TITLE QSF P LIGHT PIPE ASSEMBLIES
	DRAFT WHERE APPLICABLE MUST REMAIN WITHIN DIMENSIONS	DRAWN BY DATE CHIRRSCHY 2007/01/10 CHECKED BY DATE BRUSSELL 2007/01/10 APPROVED BY DATE RMAHMOOD 2010/03/31	WATERL. NO. SEE SHEET 1	DOCUMENT NO. SD-74750-0030	MOLEX INCORPORATED	SHEET NO. 3 OF 4
	THIS DRAWING CONTAINS INFORMATION THAT IS PROPRIETARY TO MOLEX INCORPORATED AND SHOULD NOT BE USED WITHOUT WRITTEN PERMISSION					

DATE	REV	DESCRIPTION
2008/04/03	A	INITIAL RELEASE
2009/04/13	B	UPDATED VIEWS TO SHOW TOOLING CHANGES IN LIGHT PIPE CLIP AND CAGE (NO DIMENSIONS AFFECTED)

ENTER DESCRIPTION IEC NO: USY2010-0460 DRAWN BY: CHIRRSCHY 2008/07/08 CHECKED BY: CHYKBRUSSELL 2007/01/10 APPR: MAHMOOD 2010/03/31	QUALITY SYMBOLS ▽=0 ▽=0	GENERAL TOLERANCES (UNLESS SPECIFIED)		DIMENSION STYLE MM ONLY	SCALE 1:1	DESIGN UNITS METRIC	THIRD ANGLE PROJECTION		
		4 PLACES ± --- ± --- 3 PLACES ± --- ± --- 2 PLACES ± 0.13 ± --- 1 PLACE ± 0.25 ± ---	mm INCH	DRAWN BY CHIRRSCHY	DATE 2007/01/10	TITLE QSFP LIGHT PIPE ASSEMBLIES			
		ANGULAR ± 1°		CHECKED BY BRUSSELL	DATE 2007/01/10	APPROVED BY MAHMOOD			
		DRAFT WHERE APPLICABLE MUST REMAIN WITHIN DIMENSIONS		DATE 2010/03/31	MATERIAL NO. SEE SHEET 1	DOCUMENT NO. SD-74750-0030	SHEET NO. 4 OF 4	MOLEX INCORPORATED	