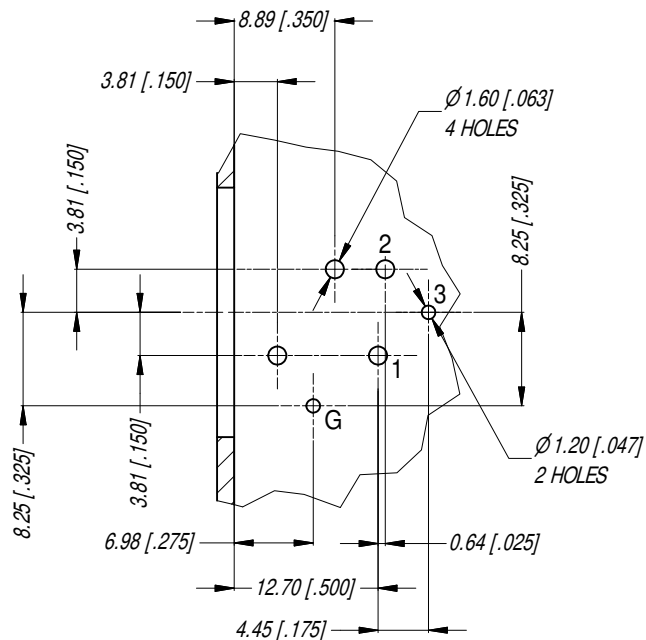


MIN MOUNTING PITCH (1:1)

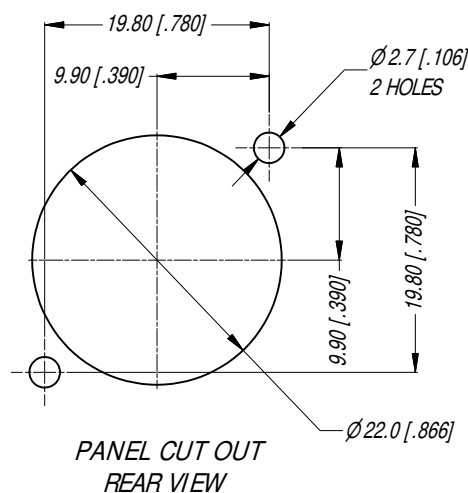


PCB LAYOUT

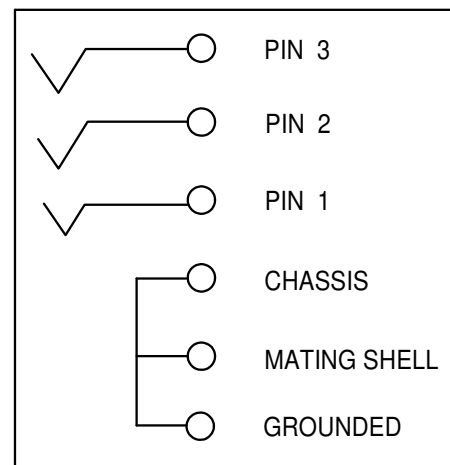
LAYOUT TOLERANCE : ± 0.05 [0.002 in]

NOTE: DIMENSIONS IN PARENTHESES ARE IN INCHES.

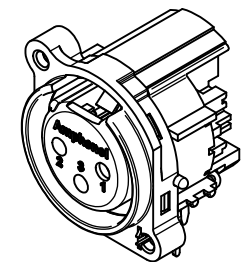
NOTE: SUFFIX "B" IN THE PART No. INDICATES BULK PACK.



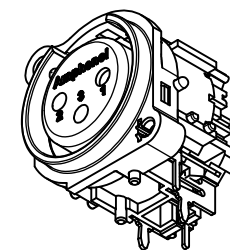
PANEL CUT OUT
REAR VIEW



SCHEMATIC CHART



3D VIEW (1:1)



REV	DESCRIPTION	DATE	BY	CHG NO
2	ADD SUFFIX B TO PART No.	27/08/15	T.N	9318
1	UPDATE FEMALE SHELL	2/4/2009	A.O	8793
0	FIRST ISSUE	18/09/07	T.N	8686

REVISION HISTORY

UNLESS OTHERWISE SPECIFIED TOLERANCE TO BE:		THIS DOCUMENT IS THE PROPERTY OF AMPHENOL AUSTRALIA PTY. LTD. NO PART THEREOF MAY BE REPRODUCED AND USED WITHOUT THE PRIOR WRITTEN CONSENT OF THE OWNER			
LINEAR	ANGULAR	CAD FILE	DRN:	T.N	DATE:
X ±	X° ± 1	55010491000221	CKD:	P.M	DATE:
X.X ±	X.X° ± 30°		APPD:	P.M	DATE:
X.XX ±	X.XX° ± 15°				
BREAK ALL SHARP EDGES AND REMOVE ALL BURRS		MATL:	REFER TO COMPONENTS		
DO NOT SCALE		FINISH:	REFER TO COMPONENTS		
DIMENSIONS IN MILLIMETRES		SCALE:	3:2	PART No:	AC3FBHL2-AU-B

TITLE:	XLR FEMALE B TYPE CONNECTOR CUSTOMER DWG		Amphenol	
	Amphenol Australia Pty.Ltd. 2 Fiveways Blvd. Keysborough, Vic3173		DRAWING NO.	SHEET
	SIZE: A4	55010491-000-2	1	2/2