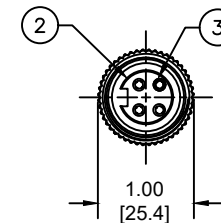
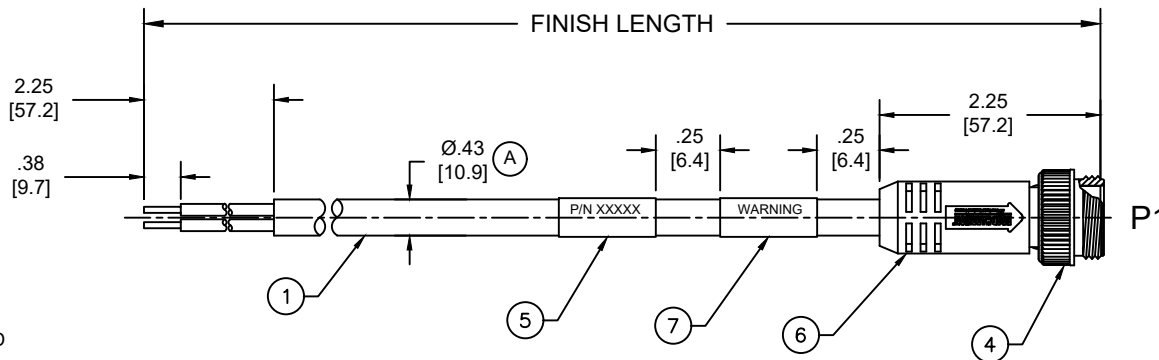
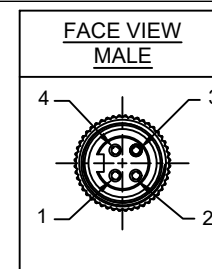
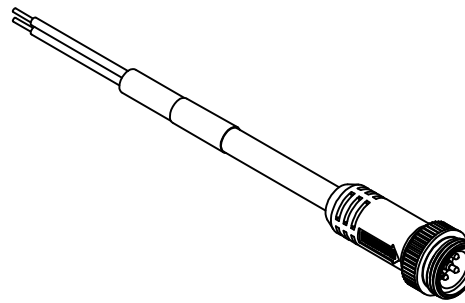


| MATERIAL NUMBER | ENGINEERING NUMBER | FINISHED LENGTH |
|-----------------|--------------------|------------------|
| 1300610129 | 104006A45M005 | 0.5M [1FT 8 IN] |
| 1300610141 | 104006A45M100 | 10M [32FT 10 IN] |
| 1300610142 | 104006A45M300 | 30M [98FT 5 IN] |

(A) PART NUMBER LEGEND

104006A45M005

LENGTH:
M005= 0.5 METER
M010= 1 METER
M100= 10 METER



FACE VIEW - MALE

NOTES:

- MATERIAL: AS NOTED
- FINISH: AS NOTED
- ELECTRICAL:
 - VOLTAGE: 483V PER IEC60664 (A)
 - 600V PER UL2237
 - CURRENT: 10A (A)
- TEMP RATING: -20°TO +105°C (A)
- PROTECTION: IP67 (WHEN MATED)
- COUPLING THREAD: 7/8"-16UN
- UL LISTED FILE: E258922
- ALL DIMENSIONS ARE FOR REFERENCE UNLESS TOLERANCED OR NOTED OTHERWISE

P1

| | |
|--------------|---|
| BLACK | 1 |
| WHITE | 2 |
| RED | 3 |
| GREEN/YELLOW | 4 |

WIRING DIAGRAM

(A)

| CABLE LENGTH TOLERANCES | |
|--------------------------|-------------------------|
| <.3M [1FT]: | +19mm-0 [+ .75in-0] |
| .3 - .9M [1 - 3FT]: | +44.5mm-0 [+1.75in-0] |
| .9 - 1.8M [3 - 6FT]: | +55.6mm-0 [+2.19in-0] |
| 1.8 - 3.7M [6 - 12FT]: | +88.9mm-0 [+3.50in-0] |
| 3.7 - 7.3M [12 - 24FT]: | +165.1mm-0 [+6.50in-0] |
| 7.3-14.6M [24 - 48FT]: | +317.5mm-0 [+12.50in-0] |
| 14.6 - 30.5M [48-100FT]: | +622.3mm-0 [+24.50in-0] |
| OVER 30M [100FT] | +2% OF FINISHED LENGTH |

| ITEM | DESCRIPTION | MATERIAL | FINISH |
|------|----------------|------------|------------------|
| 7 | WARNING LABEL | VINYL | BLACK |
| 6 | OVERMOLD | TPE | GRAY |
| 5 | WRAP LABEL | VINYL | YELLOW |
| 4 | COUPLING NUT | ZINC ALLOY | BLACK E-COAT |
| 3 | PIN CONTACT | BRASS | GOLD OVER NICKEL |
| 2 | 4P MALE INSERT | TPE | BLACK |
| 1 | #16/4 CABLE | PVC JACKET | GRAY |

| FUNCTIONAL SYMBOLS $F_A=0$ $F_C=0$ $F_P=0$ | DIMENSION UNITS INCH/MM | | SCALE NTS | CURRENT REV DESC: ITEM 2 & 6 WERE PVC. ADDED IEC VOLTAGE, PN LEGEND, CABLE DIA & TOL CHART. MODIFIED TEMP RATING AND PN TABLE. | | | | | | | | | | | | | | | | | | | |
|--|--|-------|--|--|-------------------------|------|----------|-------|-------|----------|-------|-------|----------|-------|-------|---------|-------|-------|----------|-------|-------|---|--|
| | GENERAL TOLERANCES (UNLESS SPECIFIED) | | | EC NO: 698916 | | | | | | | | | | | | | | | | | | | |
| | <table border="1"> <thead> <tr> <th></th> <th>mm</th> <th>INCH</th> </tr> </thead> <tbody> <tr> <td>4 PLACES</td> <td>±----</td> <td>±----</td> </tr> <tr> <td>3 PLACES</td> <td>±----</td> <td>±----</td> </tr> <tr> <td>2 PLACES</td> <td>±----</td> <td>±----</td> </tr> <tr> <td>1 PLACE</td> <td>±----</td> <td>±----</td> </tr> <tr> <td>0 PLACES</td> <td>±----</td> <td>±----</td> </tr> </tbody> </table> | | | | mm | INCH | 4 PLACES | ±---- | ±---- | 3 PLACES | ±---- | ±---- | 2 PLACES | ±---- | ±---- | 1 PLACE | ±---- | ±---- | 0 PLACES | ±---- | ±---- | DRWN: ABENJAMINLW 2021/06/14 CHK'D: RSTONE 2022/03/09 APPR: BWOODMAN 2022/03/11 | |
| | | mm | INCH | | | | | | | | | | | | | | | | | | | | |
| 4 PLACES | ±---- | ±---- | | | | | | | | | | | | | | | | | | | | | |
| 3 PLACES | ±---- | ±---- | | | | | | | | | | | | | | | | | | | | | |
| 2 PLACES | ±---- | ±---- | | | | | | | | | | | | | | | | | | | | | |
| 1 PLACE | ±---- | ±---- | | | | | | | | | | | | | | | | | | | | | |
| 0 PLACES | ±---- | ±---- | | | | | | | | | | | | | | | | | | | | | |
| DIVISIONAL SYMBOLS | | | INITIAL REVISION: DRWN: VOU 2010/01/14 APPR: JFMURPHY 2010/01/20 | | | | | | | | | | | | | | | | | | | | |
| DRAFT WHERE APPLICABLE MUST REMAIN WITHIN DIMENSIONS | | | THIRD ANGLE PROJECTION | DRAWING A-SIZE | SERIES 130061 | | | | | | | | | | | | | | | | | | |

molex

BRAD POWER CORDSET, A-SIZE
4-POLE, MALE, STRAIGHT, SINGLE KEY,
#16 AWG

PRODUCT CUSTOMER DRAWING

| DOCUMENT NUMBER | DOC TYPE | DOC PART | REVISION |
|-----------------|----------|----------|----------|
| SD-130061-015 | PSD | 001 | A |

| DOCUMENT STATUS | P1 | RELEASE DATE | 2022/03/11 | 14:29:46 |
|-----------------|----|--------------|------------|----------|
| 6 | 5 | 4 | 3 | 2 |