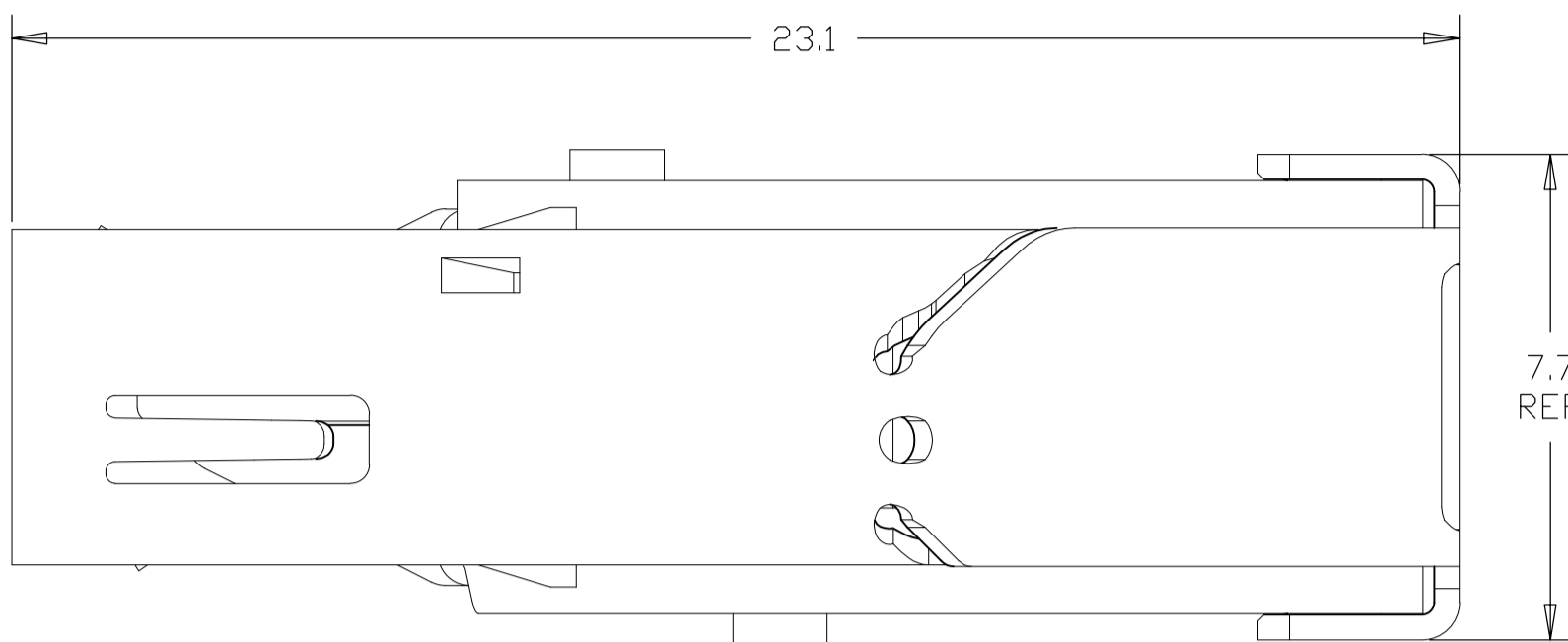
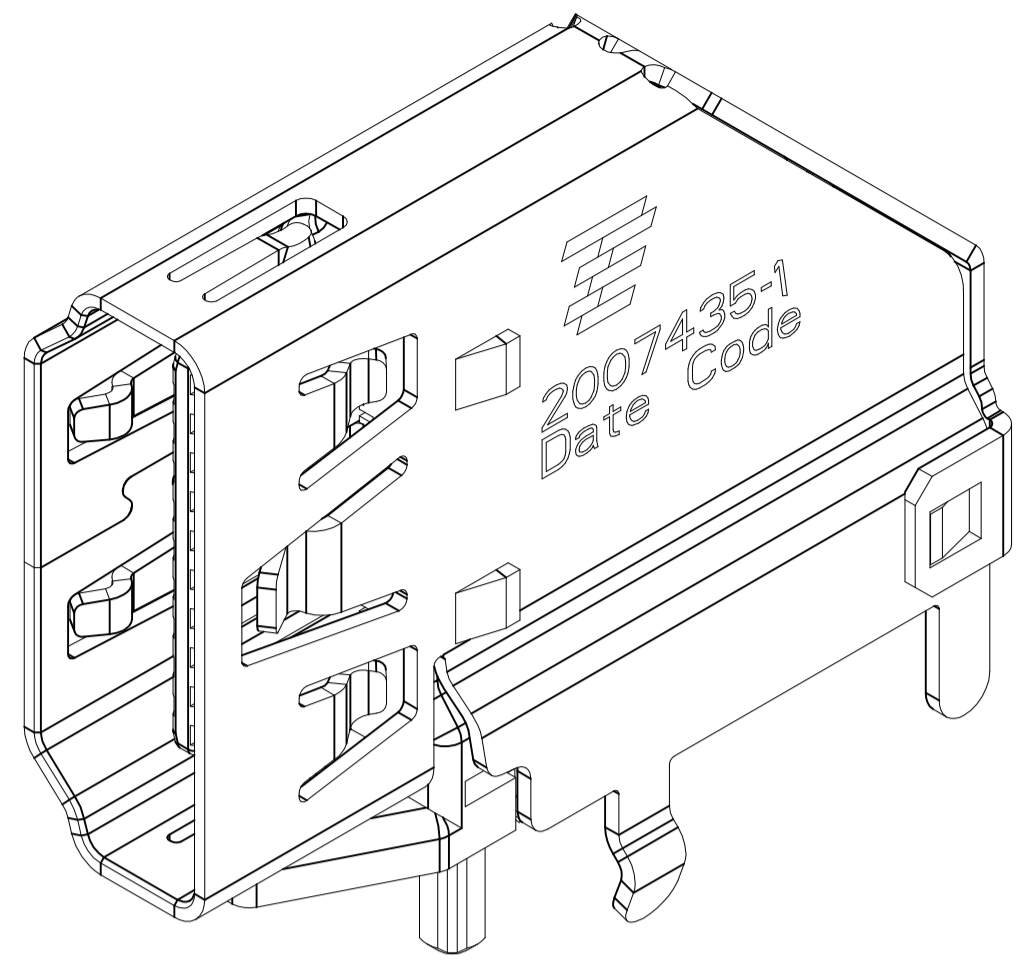
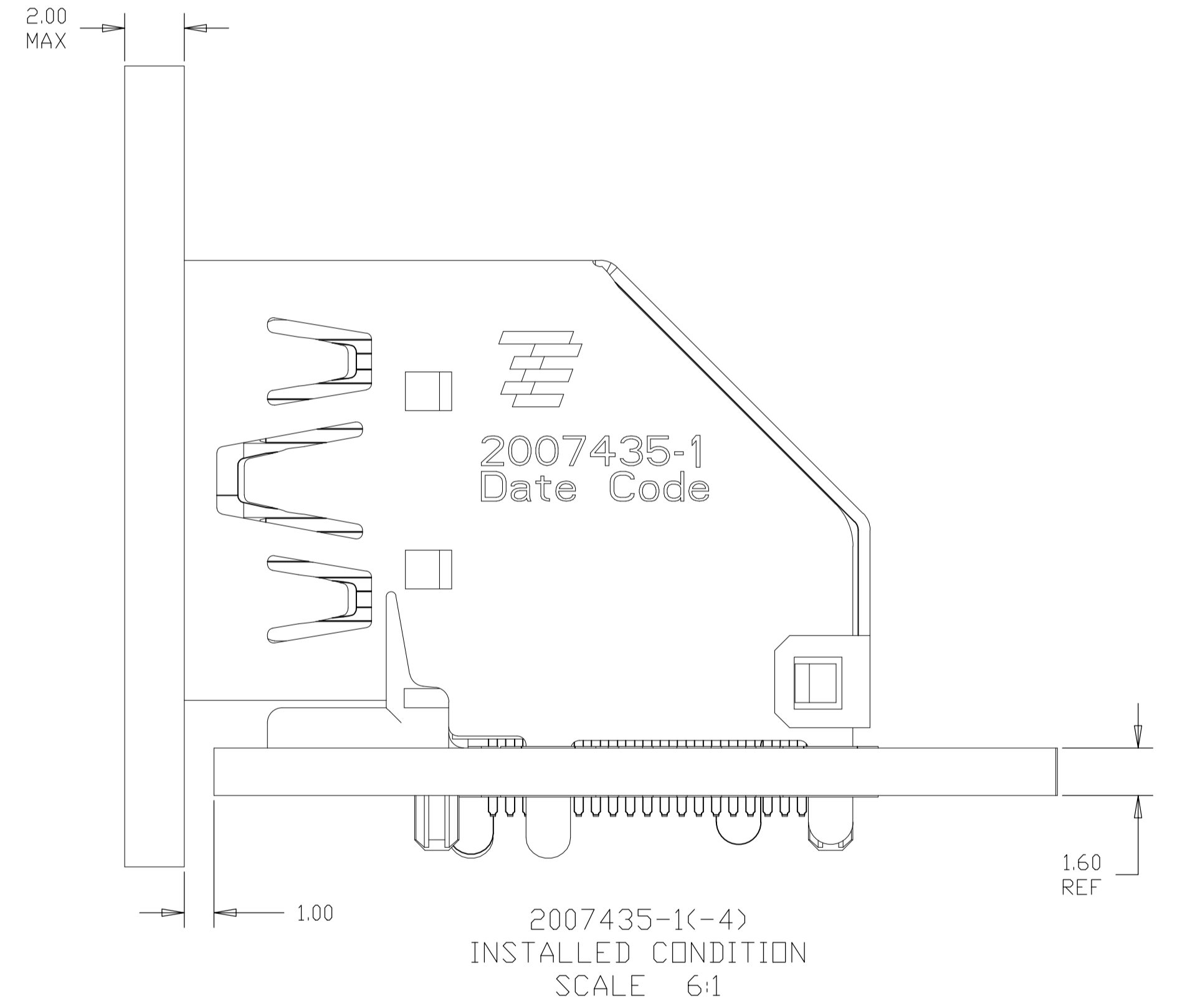
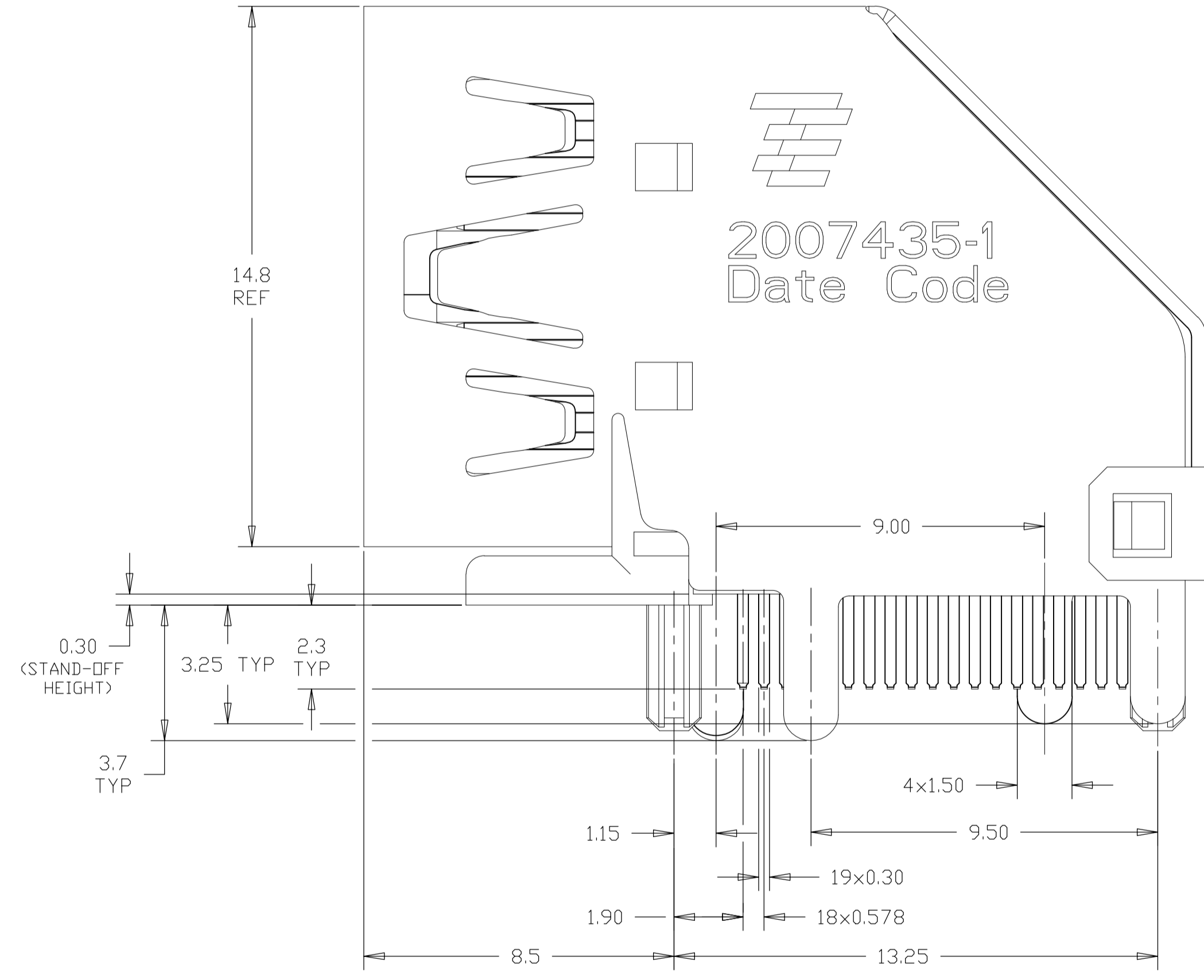
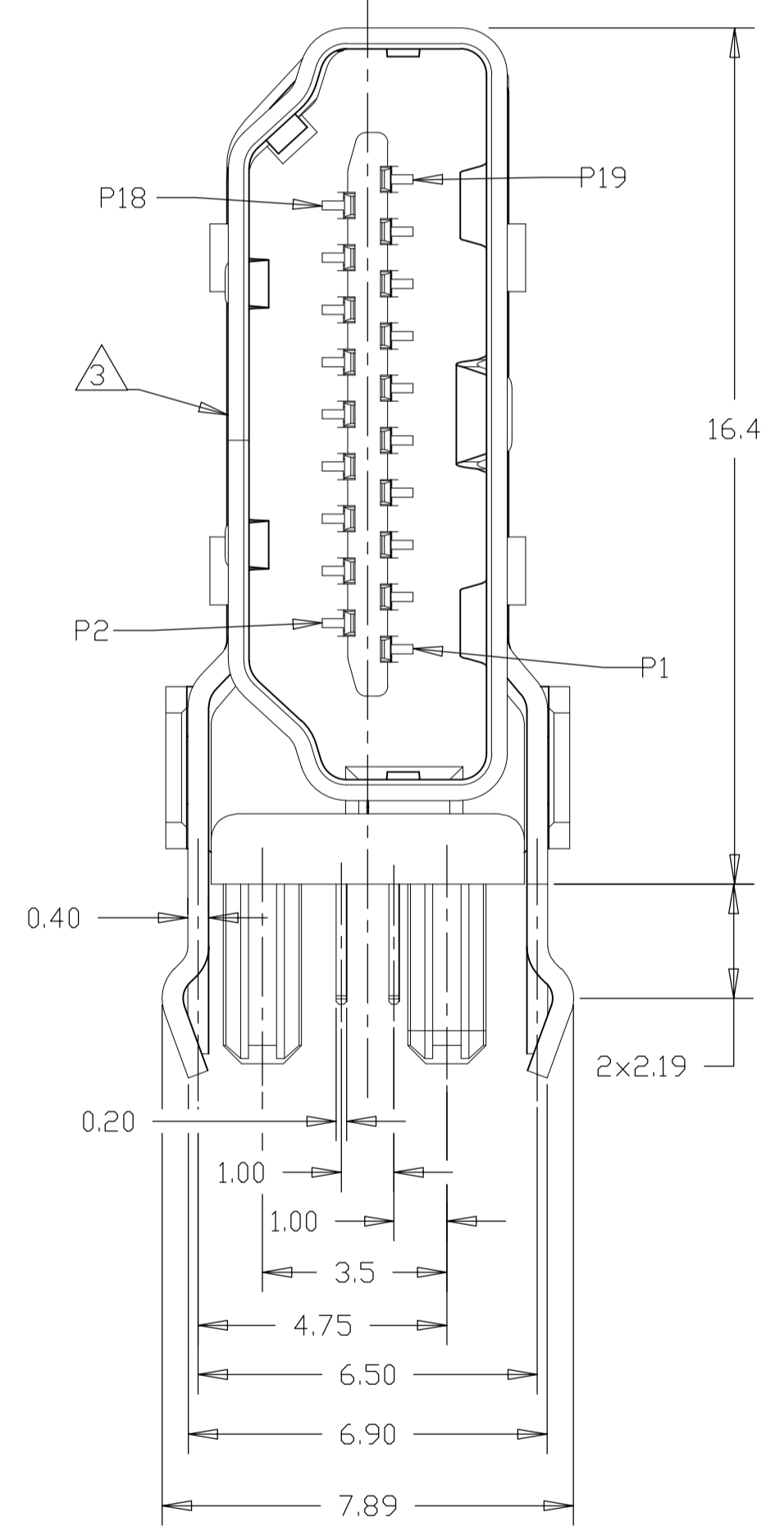


REVISONS		DATE	DMN	APVD
P	LYR	DESCRIPTION		
C		RELEASE PER ECR-10-024107	8/31/2010	FL SY
C1		RELEASE PER ECR-11-016951	7/20/2011	JJ SY
D2		RELEASED PER ECR-16-011711	4/10/2017	AX HW

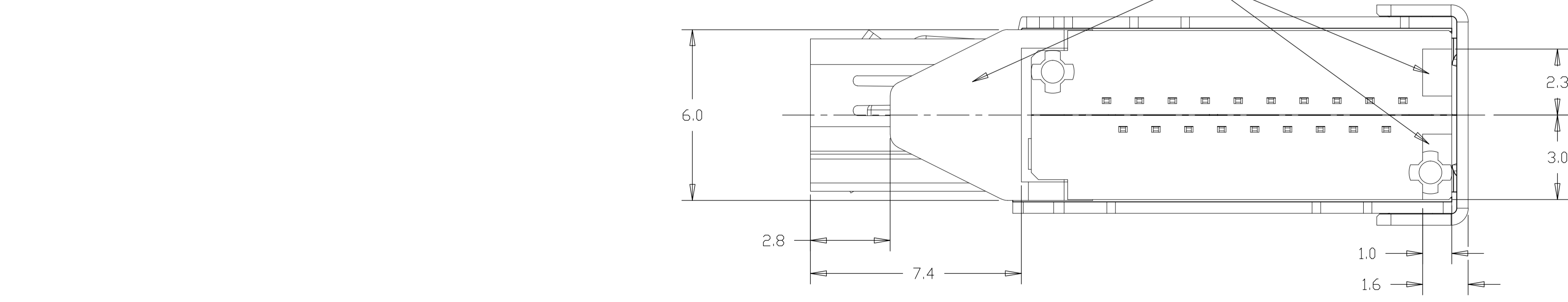


- 1 MATERIALS:  
HOUSING: HIGH TEMP THERMOPLASTIC, UL94V-0, BLACK, PBT.  
CONTACTS: COPPER ALLOY.  
SHIELD: STAINLESS STEEL.
- 2 FINISH:  
CONTACTS:  
MATING AREA: CONFORMS TO HDMI SPECIFICATION VERSION 1.3a TABLE 4-6 AND 4-7 (ELECTRICAL AND ENVIRONMENTAL PERFORMANCE), BASED ON EIA/ECA - 364-1000.01A (CONTROLLED ENVIRONMENT APPLICATIONS).  
SOLDER TAILS: TIN OVER NICKEL.
- 3 INTERFACE DIMENSIONS PER HDMI SPECIFICATION VERSION 1.3a.
- 4 WAVE SOLDER COMPATIBLE PER 109-202. CONDITION B. NO CLEAN FLUX IS RECOMMENDED.
- 5 THIS DIMENSION HAS AN ADDITIONAL 1.0 CLEARANCE OVER HDMI V1.3a SPECIFICATION MAXIMUM CABLE TYPE A PLUG HEIGHT.
- 6 REMOVE CAP IS RECOMMENDED AFTER WAVE SOLDER.
- 7 MATERIALS:  
HOUSING: HIGH TEMP THERMOPLASTIC, UL94V-0, BLACK, LCP.  
CONTACTS: COPPER ALLOY.  
SHIELD: STAINLESS STEEL.
- 8 STAND-OFF AREA.

2007435-1(-4)  
SCALE 6:1



EMBOSS TAPE	WITHOUT POLYIMIDE TAPE	WITHOUT KINK AND WITH CAP	0.38 μm	△	2.00	2007435-7
EMBOSS TAPE	WITH POLYIMIDE TAPE	WITHOUT KINK AND WITHOUT CAP	0.38 μm	△	2.00	2007435-6
TRAY	WITHOUT POLYIMIDE TAPE	WITH KINK AND WITH CAP	0.38 μm	△	1.60	2007435-5
		WITH KINK AND WITHOUT CAP	0.76 μm	△	1.60	2007435-4
		WITHOUT KINK AND WITH CAP	0.38 μm	△	1.60	2007435-3
		WITHOUT KINK AND WITHOUT CAP	0.38 μm	△	2.40	2007435-2
PACKAGE		WITH KINK AND WITHOUT CAP	0.38 μm	△	1.60	2007435-1
REMARK		GOLD PLATING ON CONTACT AREA	MATERIAL	PCB THICKNESS	PART NO.	



THIS DRAWING IS A CONTROLLED DOCUMENT.

DMN: Francis Lee 31AUG2010  
CHK: Martin Li 31AUG2010  
APVD: Steven Yao 31AUG2010

NAME: STE TE Connectivity

PRODUCT SPEC: 108-60079

APPLICATION SPEC: -

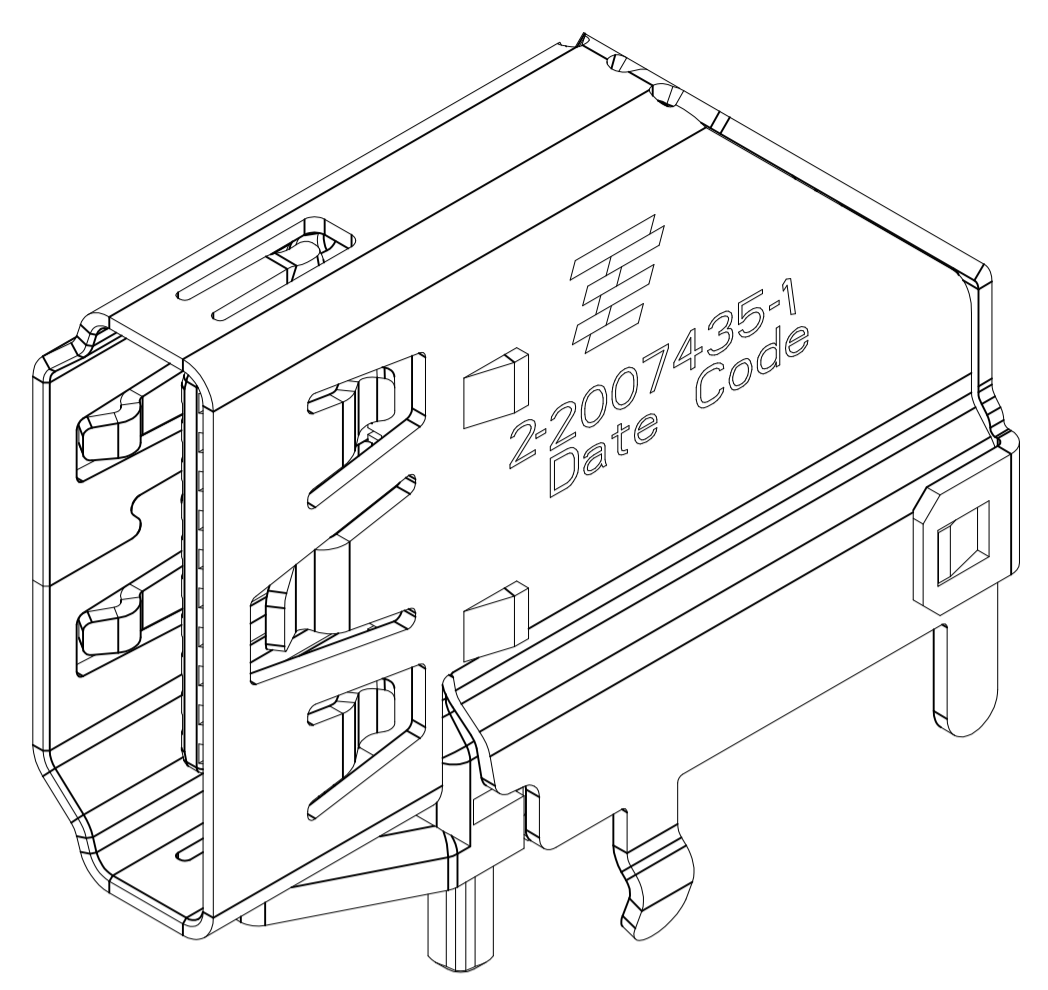
SIZE: A1 CAGE CODE: 00779 DRAWING NO: 2007435

WEIGHT: -

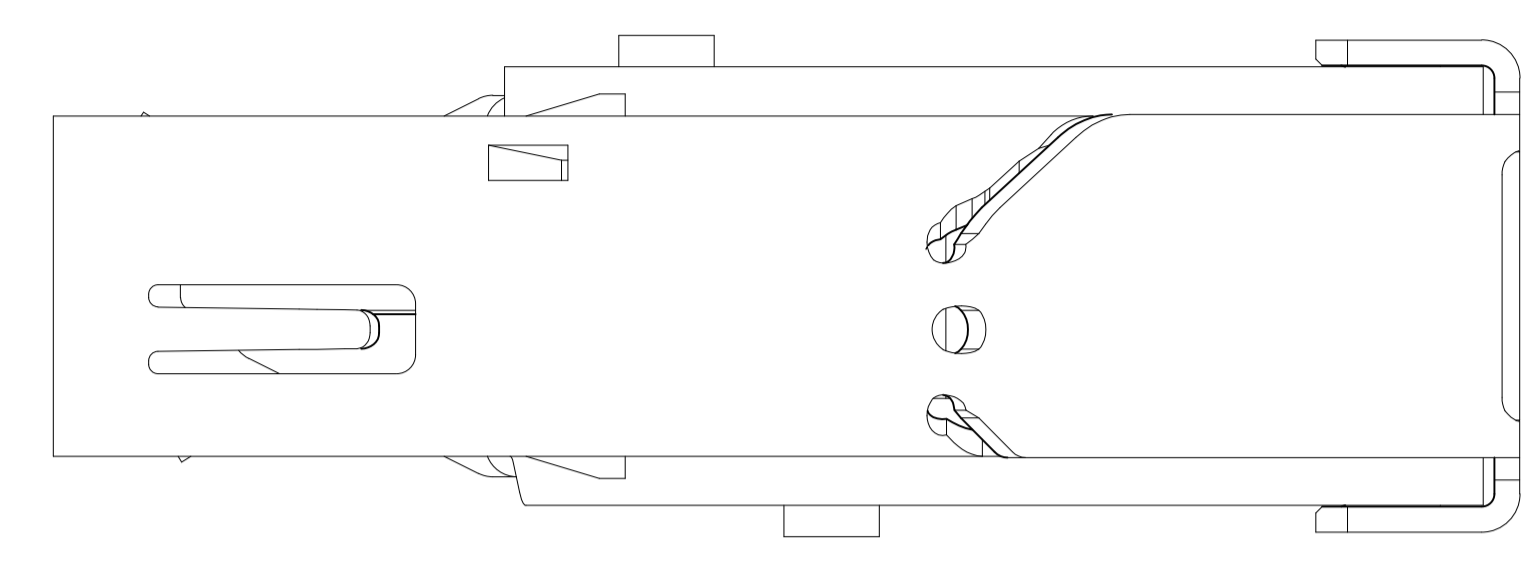
CUSTOMER DRAWING

SCALE: 8:1 SHEET: 1 OF 10 REV: D2

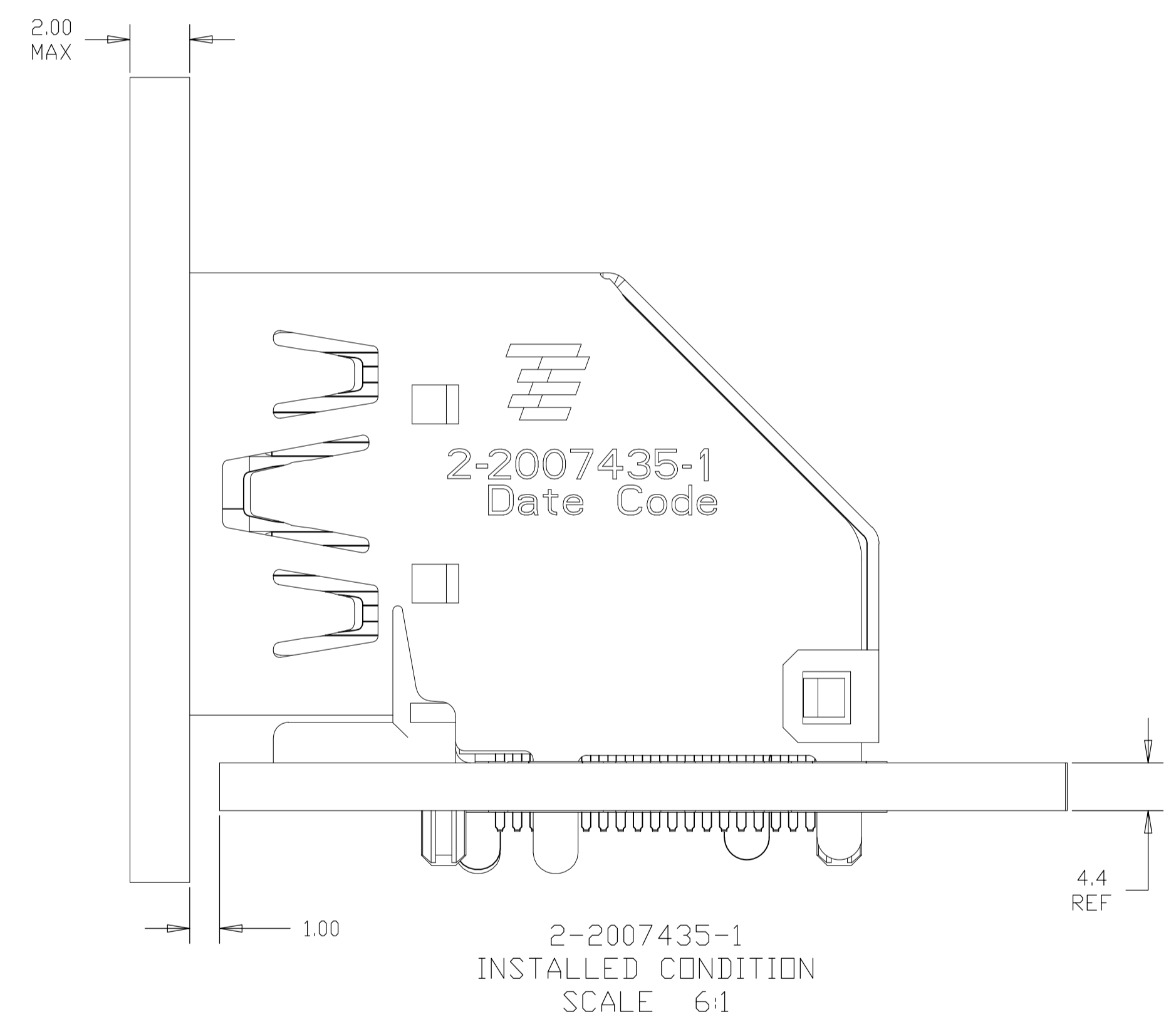
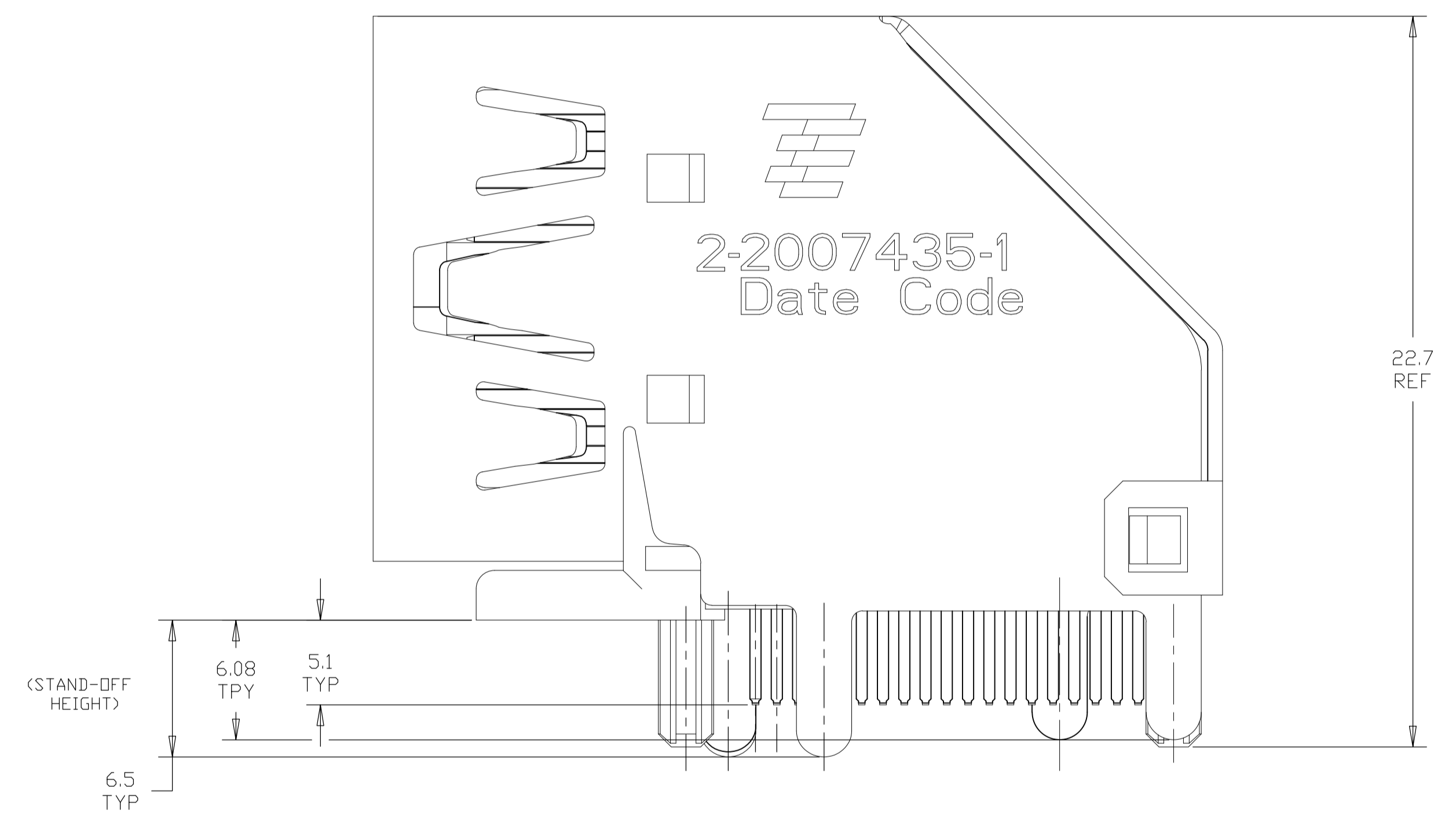
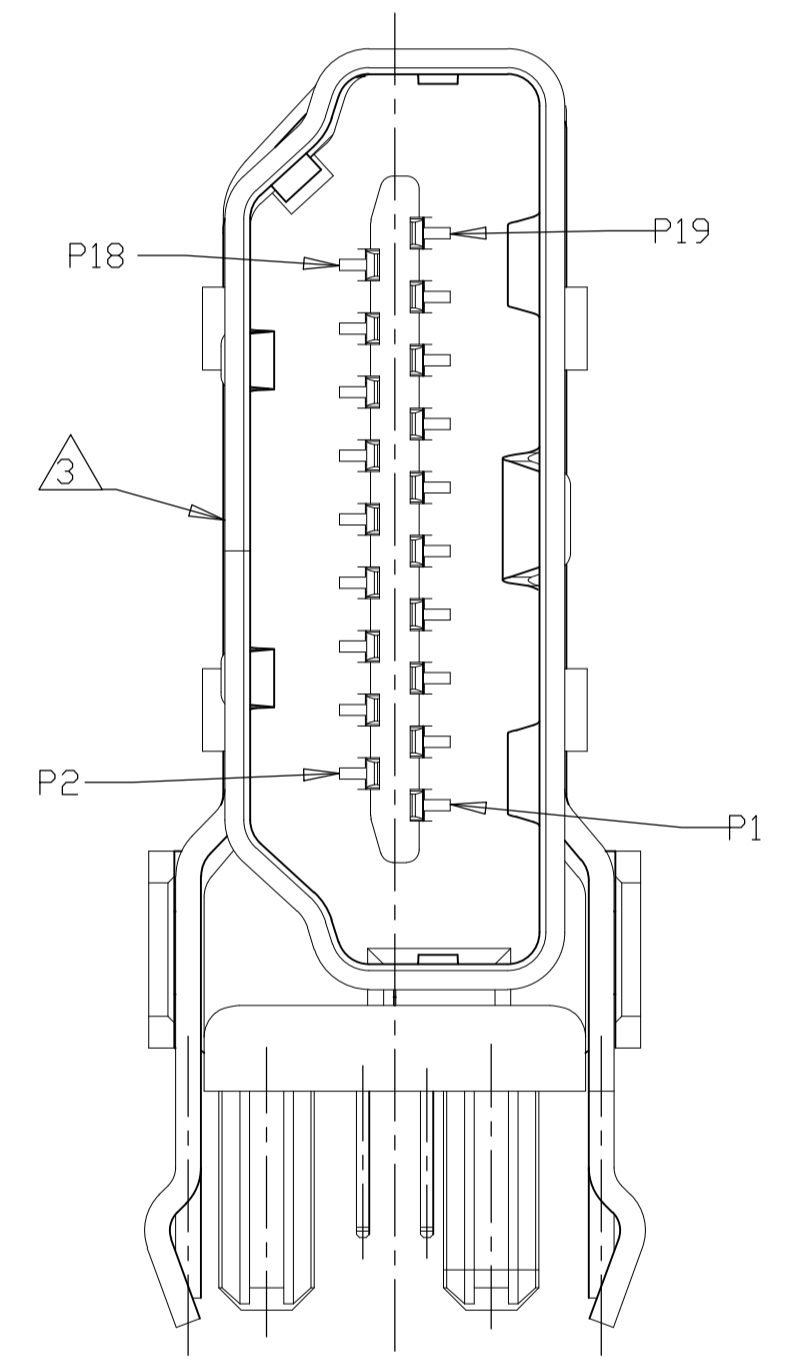
LOC		DIST		REVISIONS			
NO	DATE	BY	CHK	DESCRIPTION	DATE	OWN	APPD
-	-	-	-	SEE SHEET 1	-	-	-



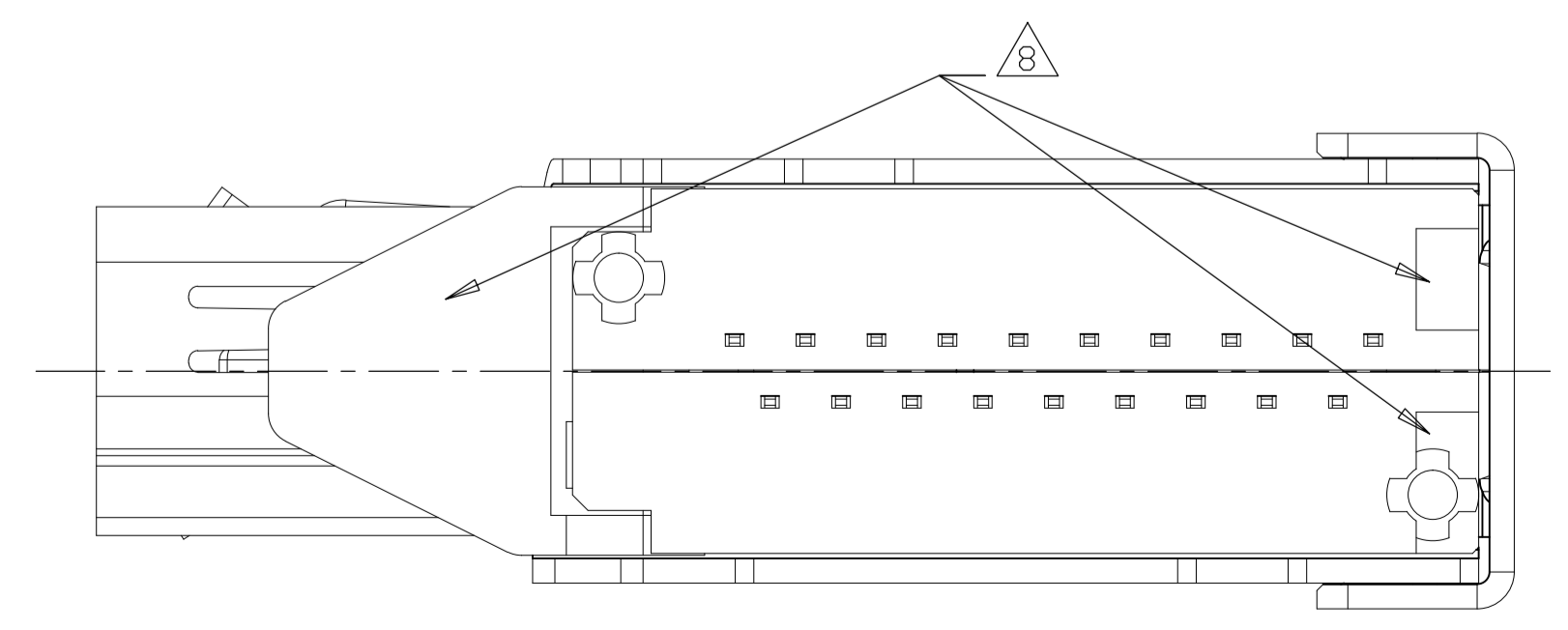
2-2007435-1 WITHOUT BOARD LOCK,  
 UNMARKED DIMENSIONS SAME AS 2007435-1  
 SCALE 6:1



- 1 MATERIALS:**  
 HOUSING: HIGH TEMP THERMOPLASTIC, UL94V-0, BLACK, PBT.  
 CONTACTS: COPPER ALLOY.  
 SHIELD: STAINLESS STEEL.
- 2 FINISH:**  
 CONTACTS:  
 MATING AREA: CONFORMS TO HDMI SPECIFICATION VERSION 1.3a  
 TABLE 4-6 AND 4-7 (ELECTRICAL AND ENVIRONMENTAL  
 PERFORMANCE), BASED ON EIA/ECA - 364-1000.01A  
 (CONTROLLED ENVIRONMENT APPLICATIONS).  
 SOLDER TAILS: TIN OVER NICKEL.
- 3 INTERFACE DIMENSIONS PER HDMI SPECIFICATION VERSION 1.3a.**
- 4 WAVE SOLDER COMPATIBLE PER 109-202. CONDITION B.  
 NO CLEAN FLUX IS RECOMMENDED.**
- 5 THIS DIMENSION HAS AN ADDITIONAL 1.0 CLEARANCE OVER  
 HDMI V1.3a SPECIFICATION MAXIMUM CABLE TYPE A PLUG HEIGHT.**
- 6 REMOVE CAP IS RECOMMENDED AFTER WAVE SOLDER.**
- 7 MATERIALS:**  
 HOUSING: HIGH TEMP THERMOPLASTIC, UL94V-0, BLACK, LCP.  
 CONTACTS: COPPER ALLOY.  
 SHIELD: STAINLESS STEEL.
- 8 STAND-OFF AREA.**

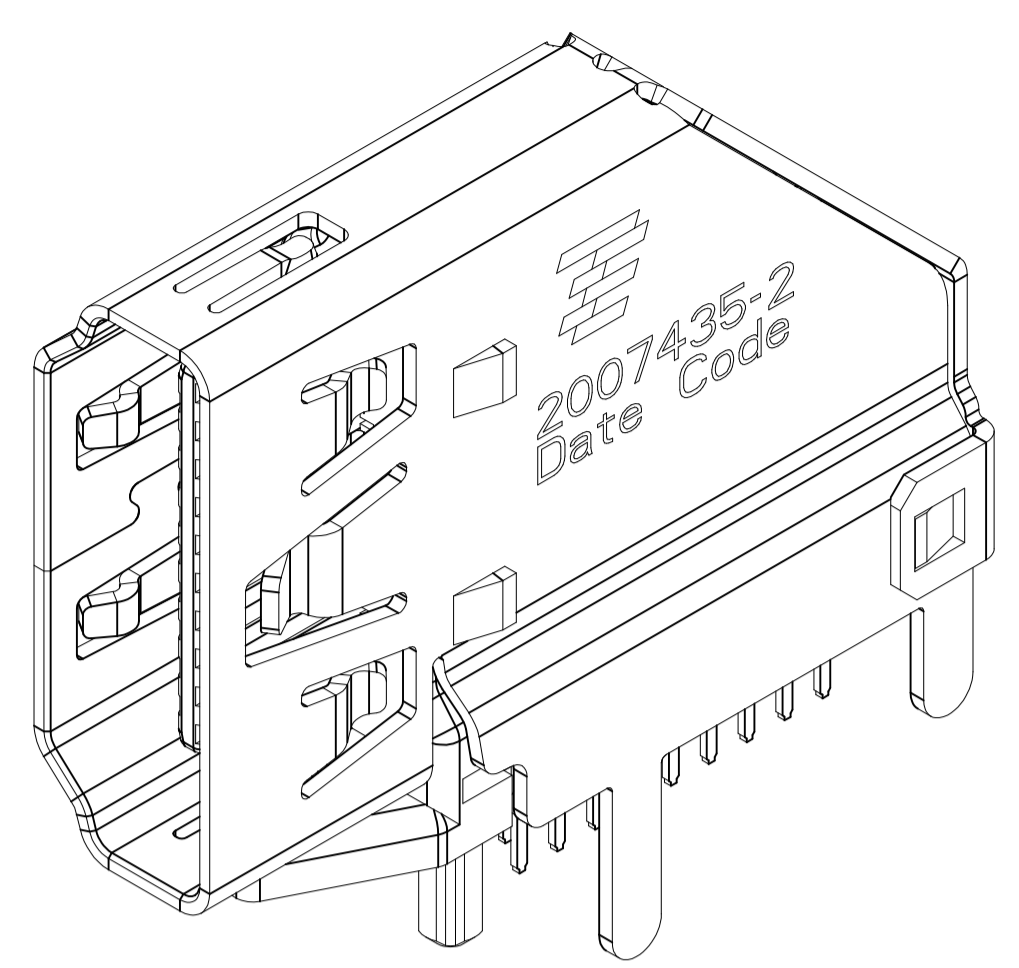


DESIGN APPROVED THIS PRINT IS  
**PRELIMINARY**  
 TO FIRST PIECE APPROVAL  
 CONTACT PRODUCT ENGINEERING  
 BEFORE USING THIS PRINT

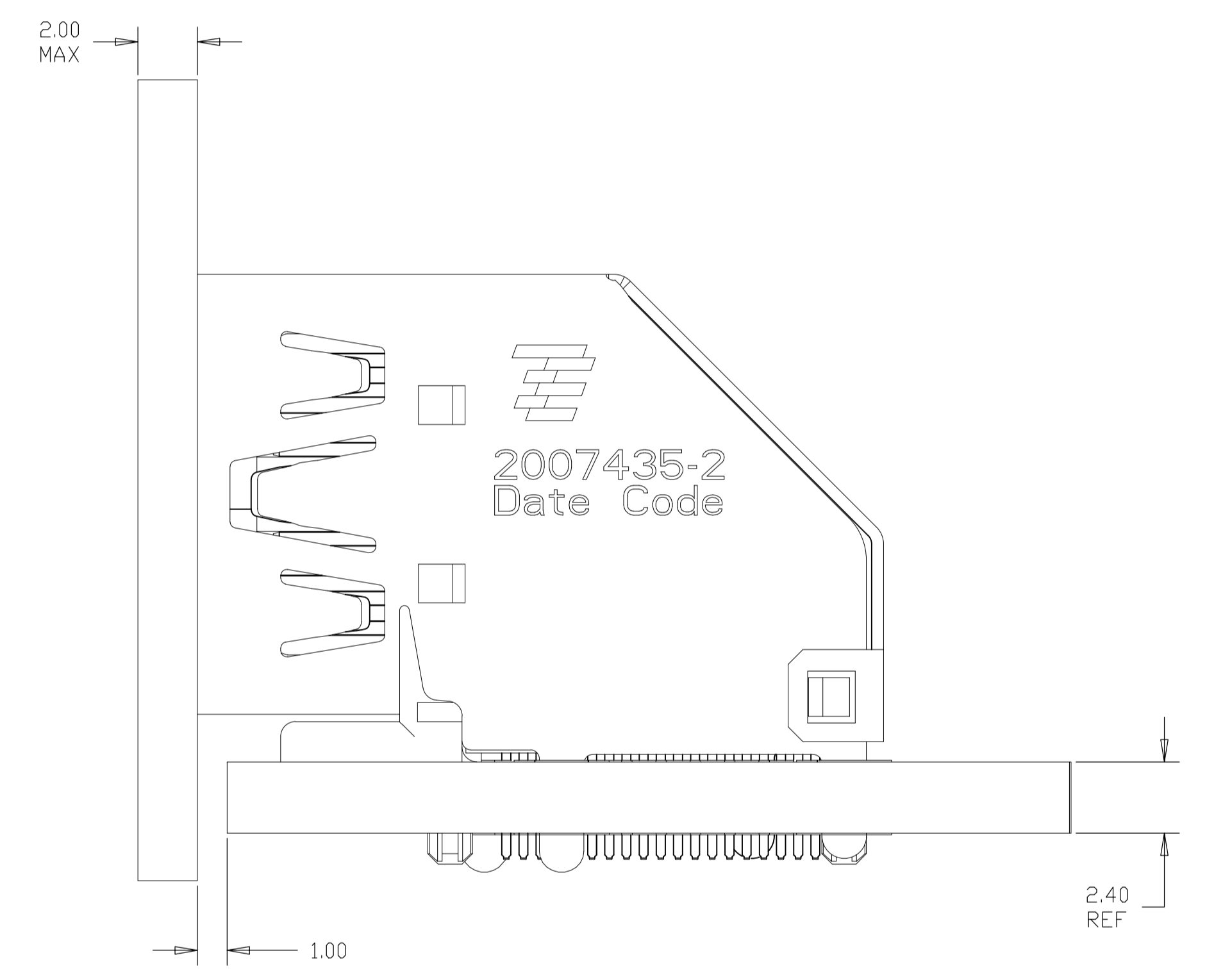
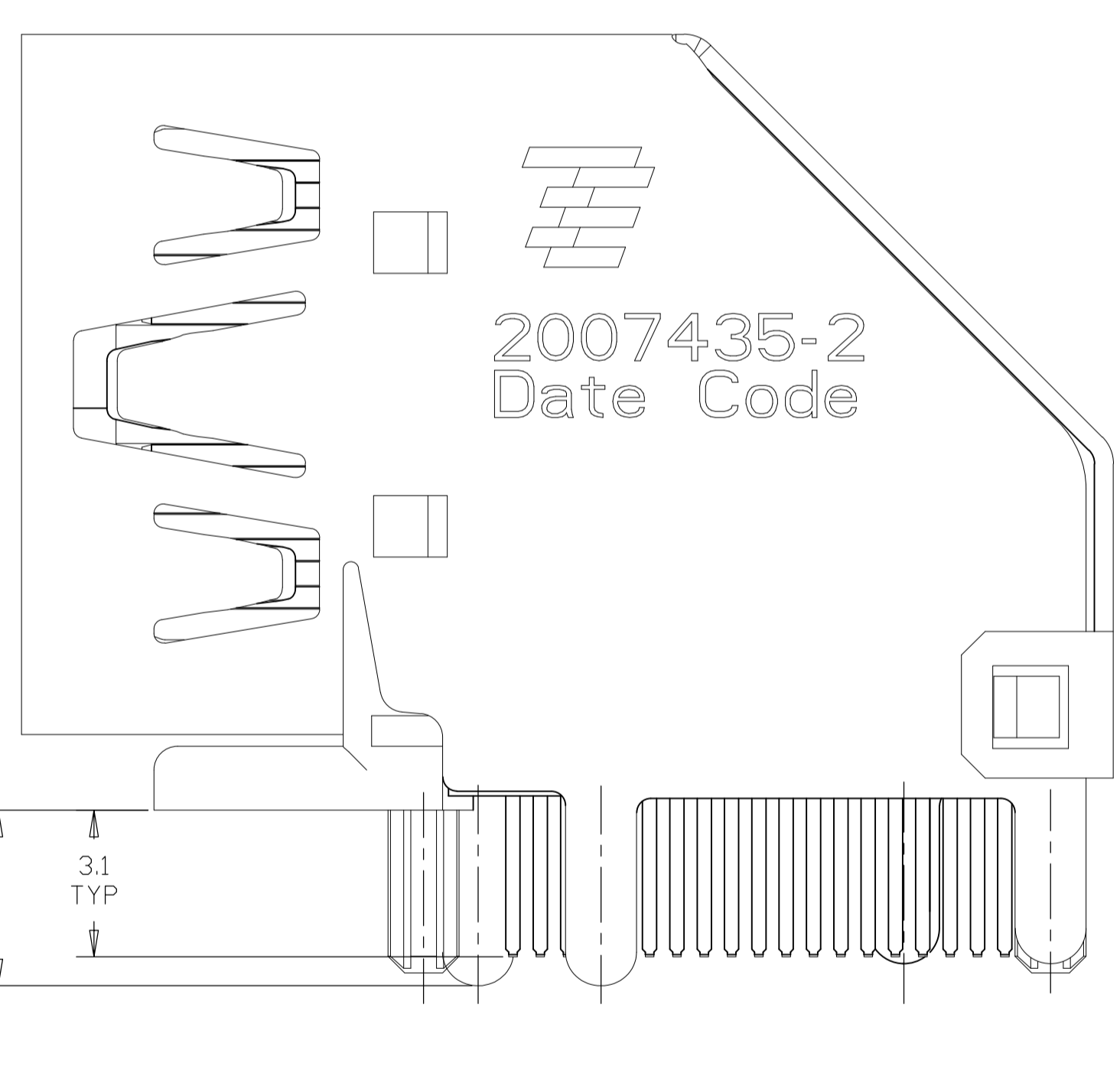
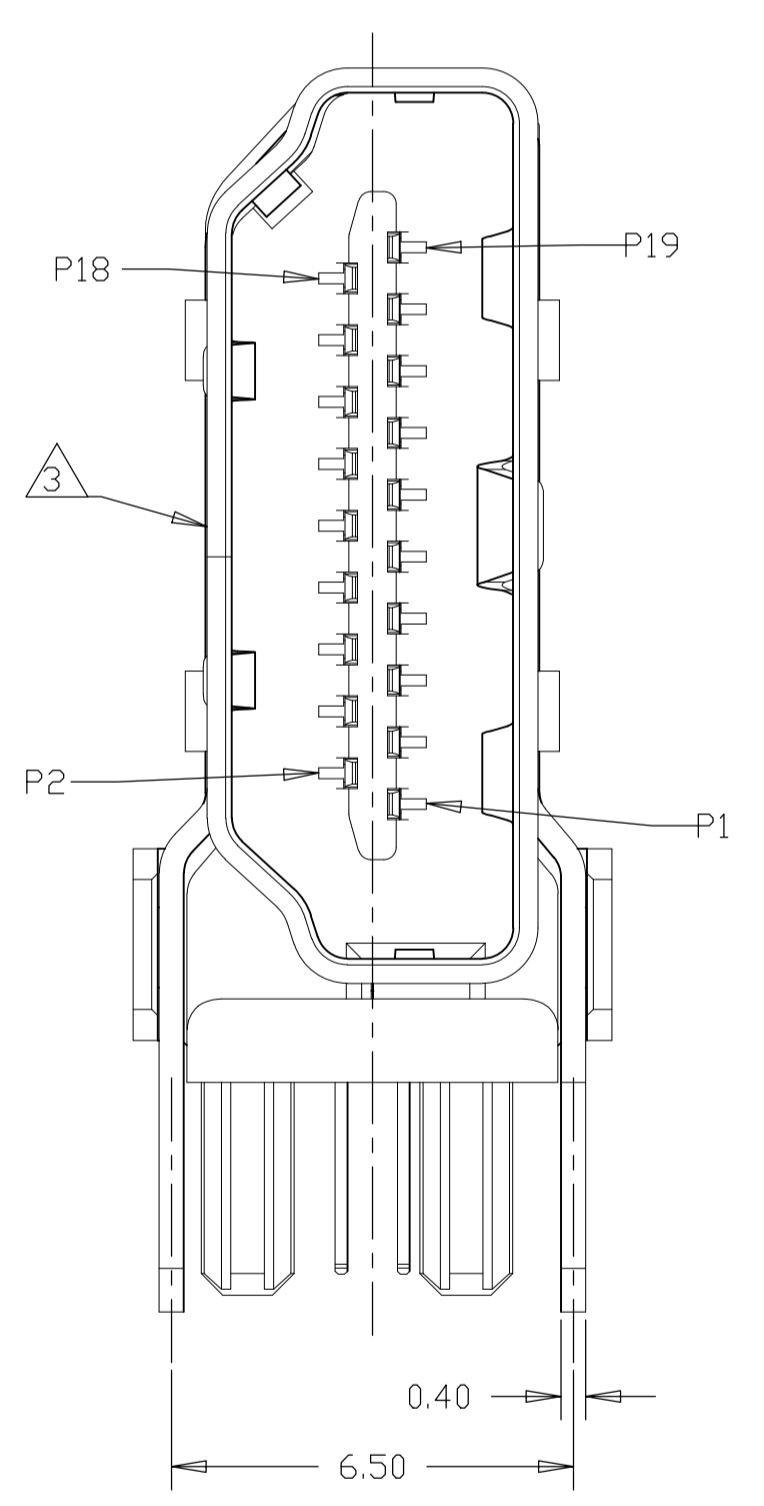
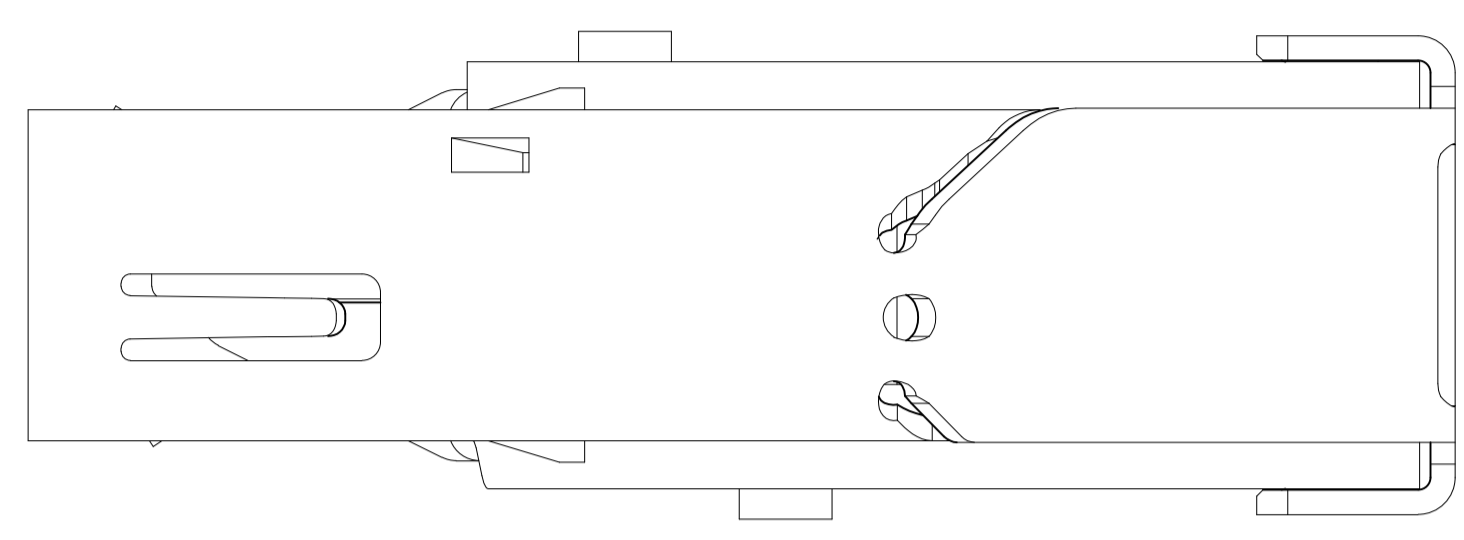


TRAY	WITHOUT POLYIMIDE TAPE	WITH KINK AND WITHOUT CAP	0.38 μm	4.40	2-2007435-1
PACKAGE	REMARK		GOLD PLATING ON CONTACT AREA	MATERIAL	PCB THICKNESS
THIS DRAWING IS A CONTROLLED DOCUMENT.			DWN Francis Lee 31AUG2010	STE TE Connectivity	
DIMENSIONS: mm			CHK Martin Li 31AUG2010	HDMI FLAG CONNECTOR ASSEMBLY	
TOLERANCES UNLESS OTHERWISE SPECIFIED:			APPD Steven Yao 31AUG2010	108-60079	
0 PLC ± -			APPLICATION SPEC		
1 PLC ± 0.3			SIZE CAGE CODE DRAWING NO		
2 PLC ± 0.25			A1 00779 2007435		
3 PLC ± 0.100			RESTRICTED TO		
4 PLC ± 0.1000			WEIGHT		
ANGLES ± 5			CUSTOMER DRAWING		
MATERIAL SEE TABLE			SCALE 8:1 SHEET 2 OF 10 REV D2		

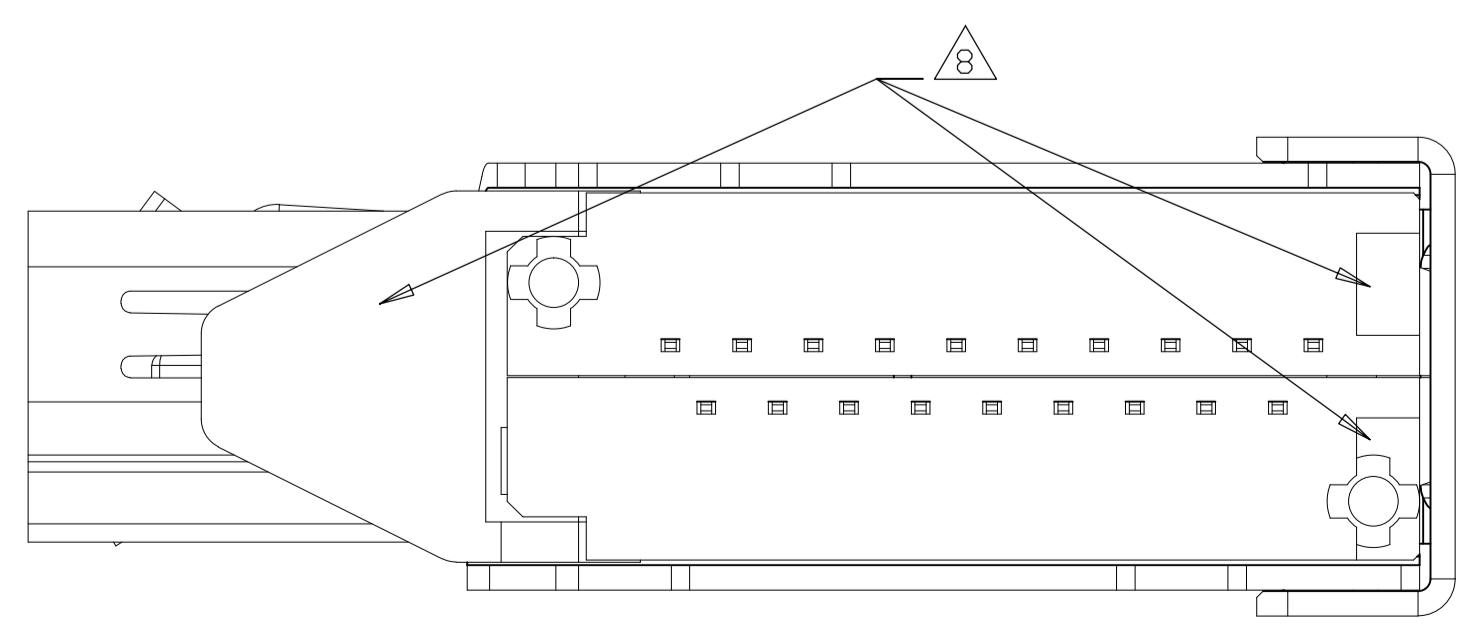
LOC		DIST		REVISIONS			
P	LTR	DESCRIPTION	DATE	DN	APVD		
-	-	SEE SHEET 1	-	-	-		



2007435-2 WITHOUT BOARD LOCK,  
 UNMARKED DIMENSIONS SAME AS 2007435-1  
 SCALE 6:1

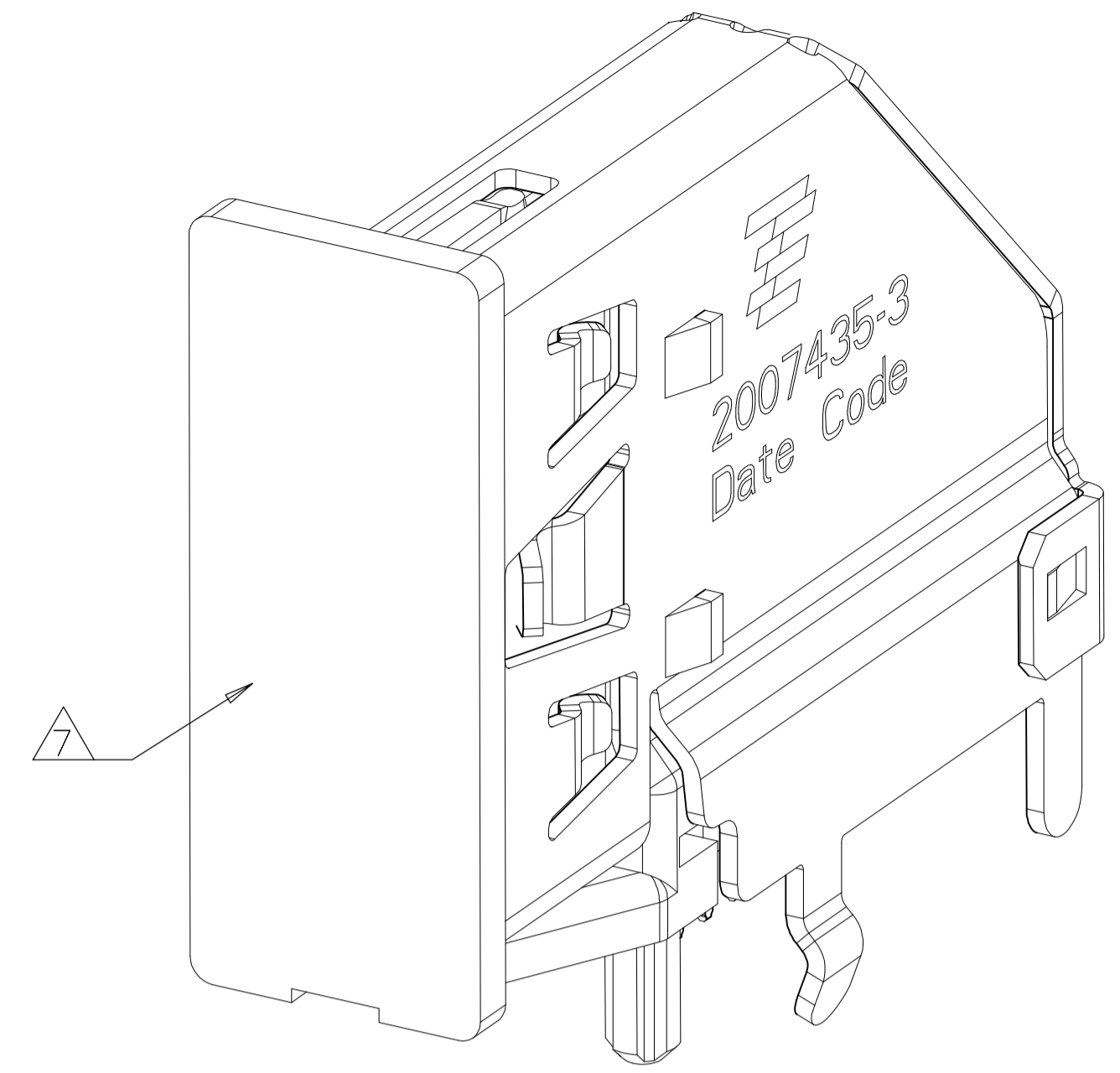


2007435-2  
 INSTALLED CONDITION  
 SCALE 6:1

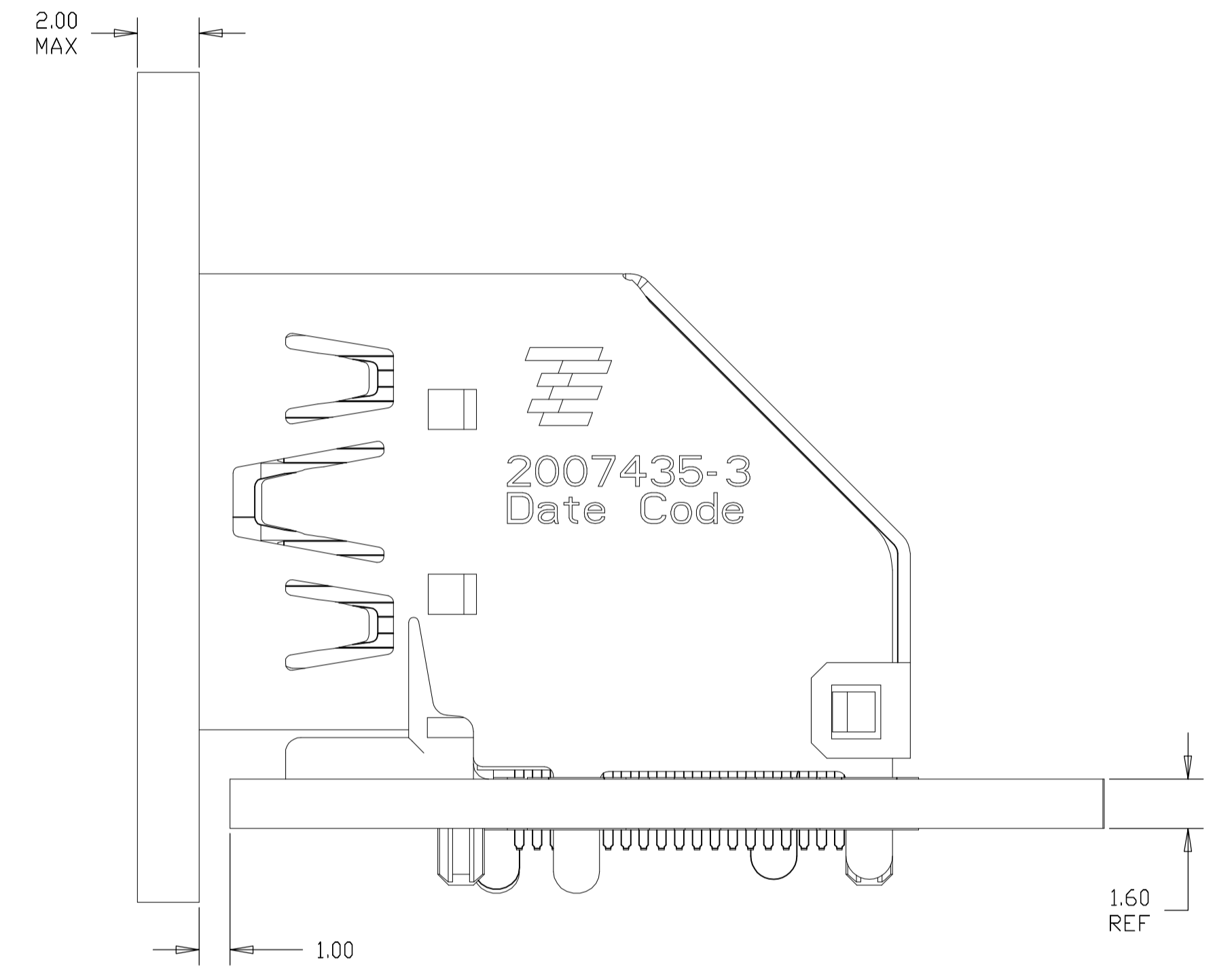
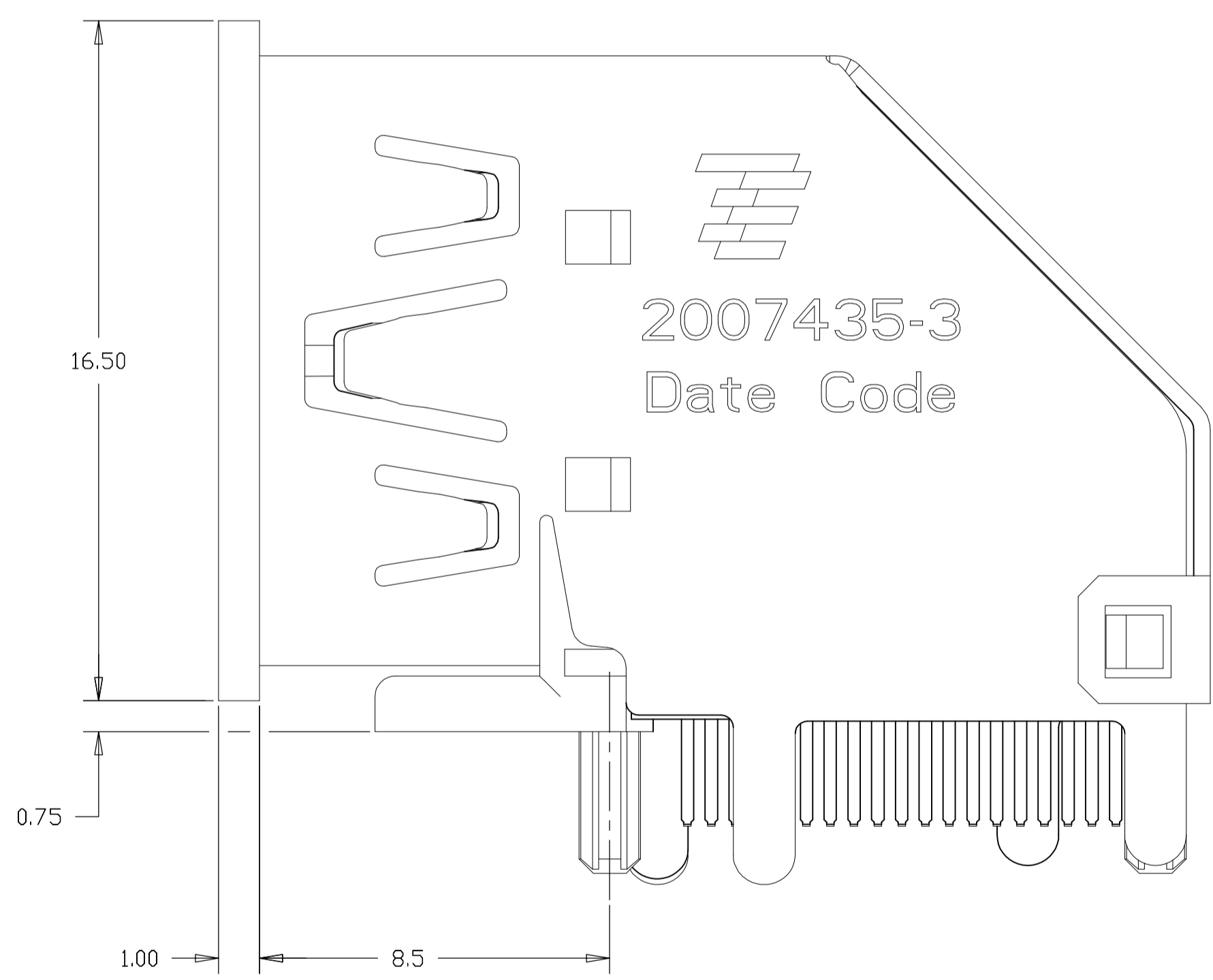
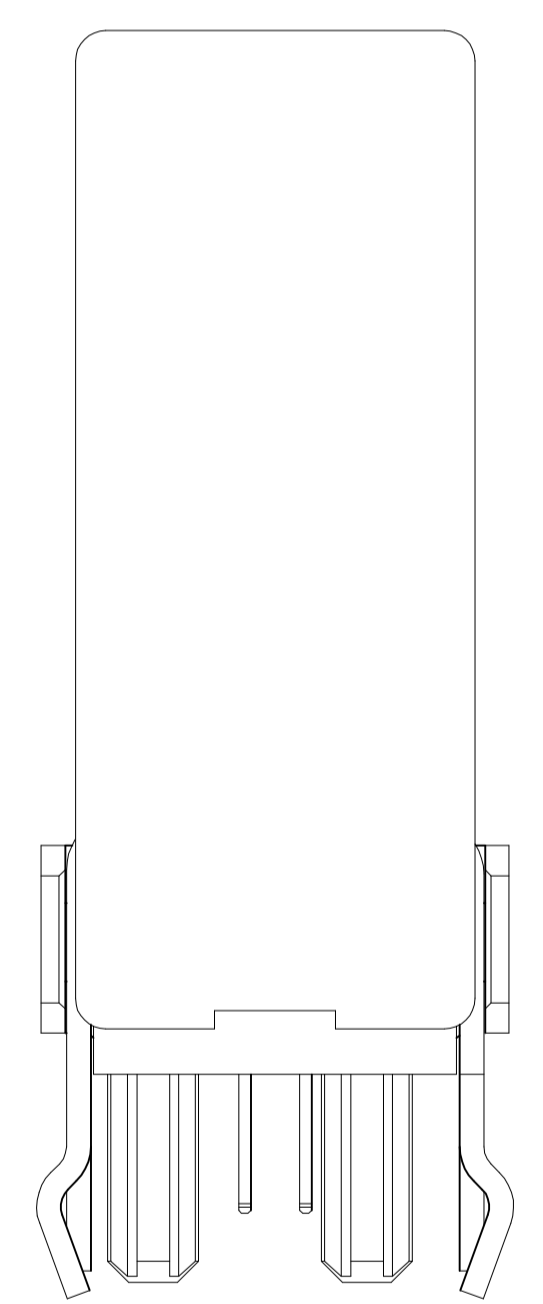
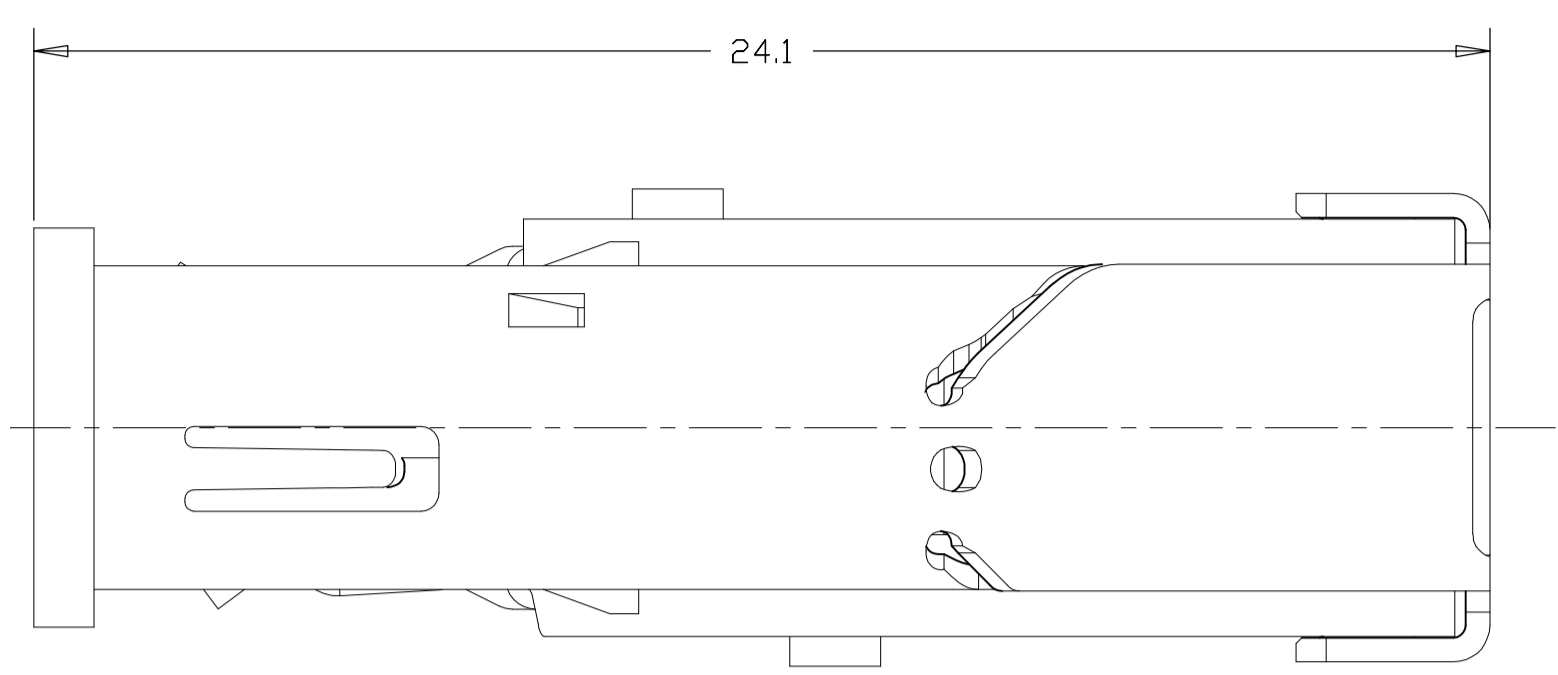


THIS DRAWING IS A CONTROLLED DOCUMENT.		DIN		STC TE Connectivity	
DIMENSIONS: mm		TOLERANCES UNLESS OTHERWISE SPECIFIED:		NAME	
<ul style="list-style-type: none"> <li>0. PLC ± -</li> <li>1. PLC ± 0.3</li> <li>2. PLC ± 0.25</li> <li>3. PLC ± 0.100</li> <li>4. PLC ± 0.1000</li> <li>ANGLES ± -</li> </ul>		APVD		HDMI FLAG CONNECTOR ASSEMBLY	
MATERIAL SEE TABLE		FINISH		APPLICATION SPEC	
		WEIGHT		SIZE CAGE CODE DRAWING NO	
		CUSTOMER DRAWING		A1 00779 C=2007435	
		SCALE 8:1		SHEET 3 OF 10 REV D2	

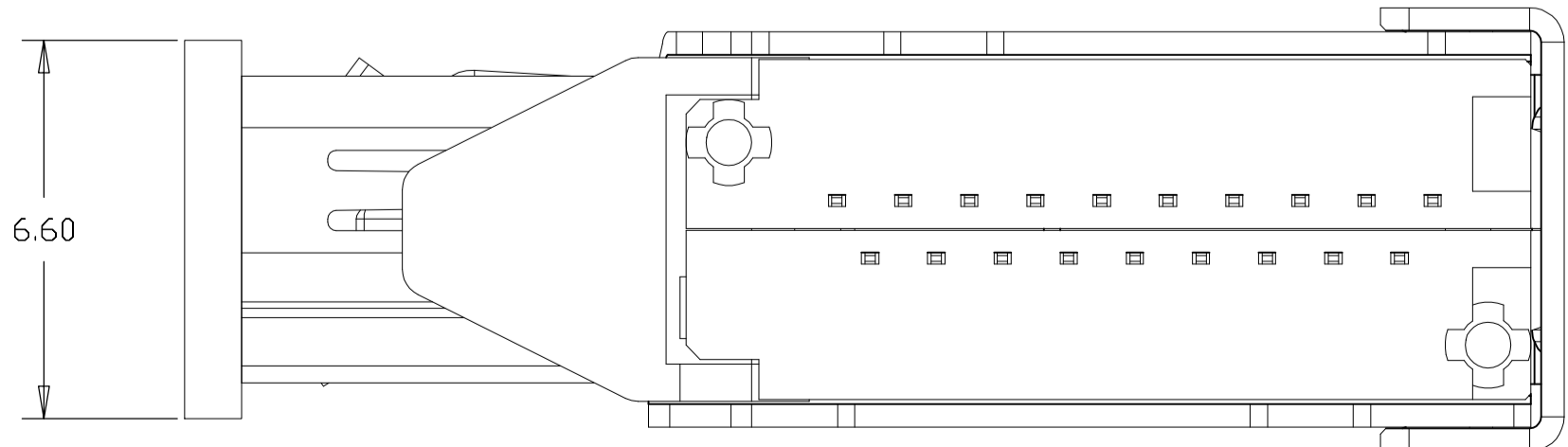
LOC		DIST		REVISIONS			
P	LTR	DESCRIPTION	DATE	DN	APVD		
-	-	SEE SHEET 1	-	-	-	-	-



2007435-3(-5) WITH CAP, UNMARKED  
 DIMENSIONS SAME AS 2007435-1  
 SCALE 6:1

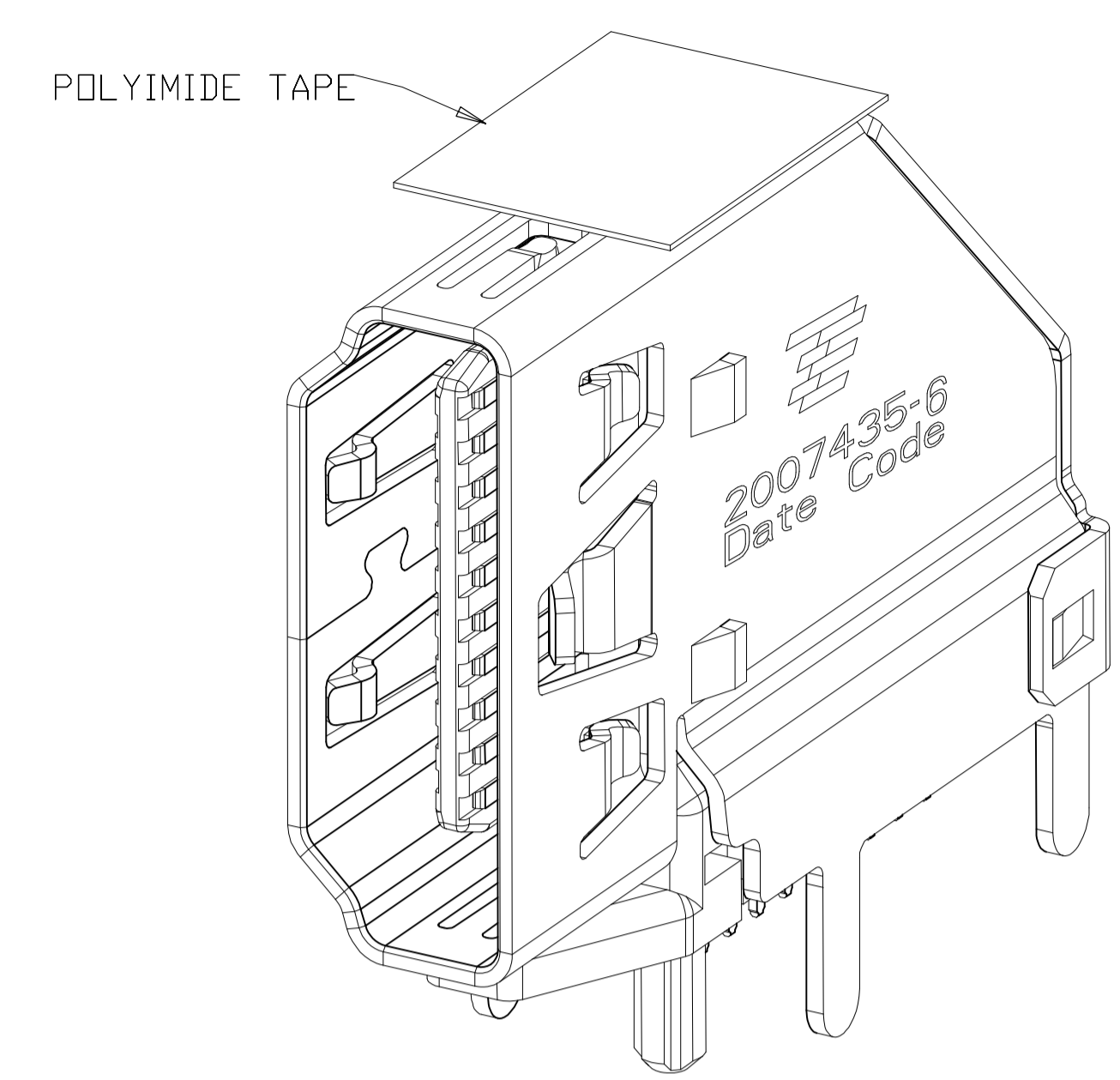
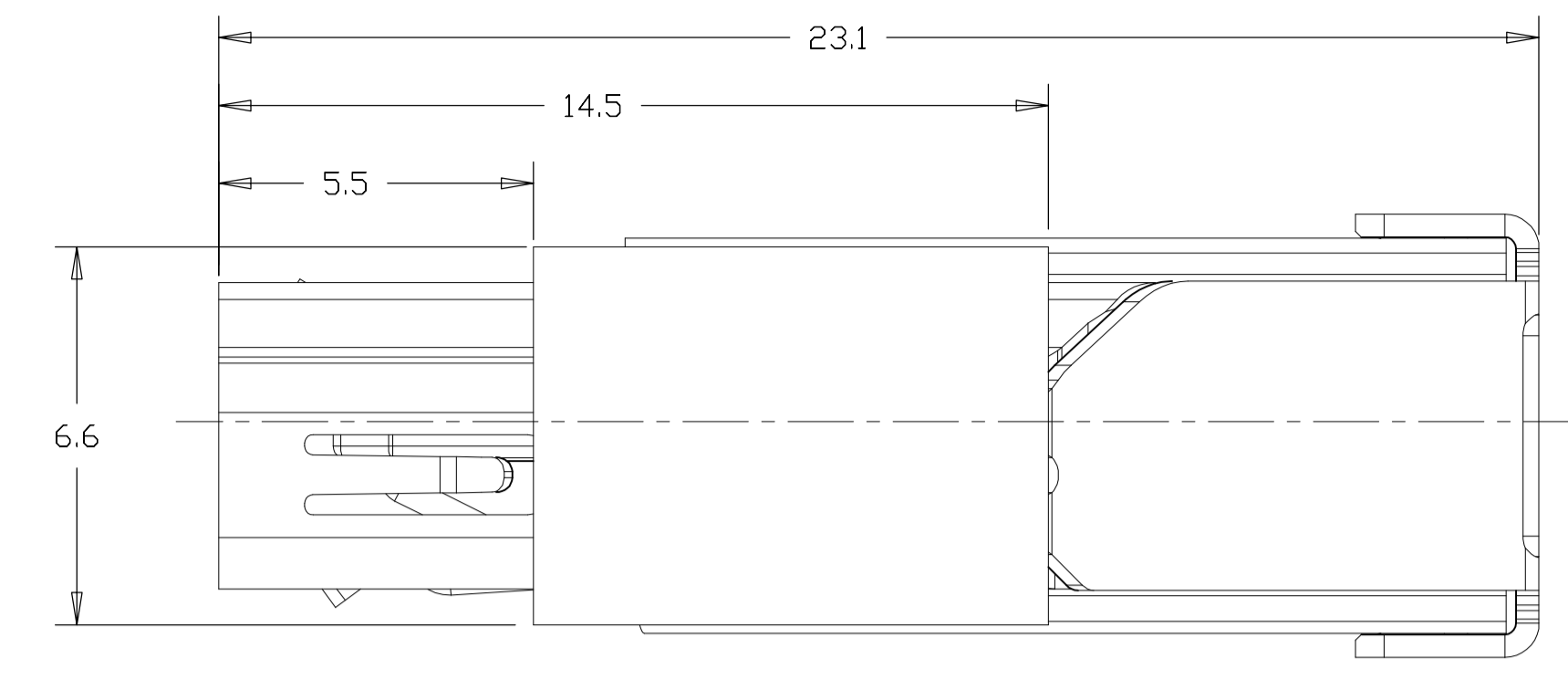


2007435-3(-5)  
 INSTALLED CONDITION  
 (ONLY FOR AFTER REMOVE CAP)  
 SCALE 6:1

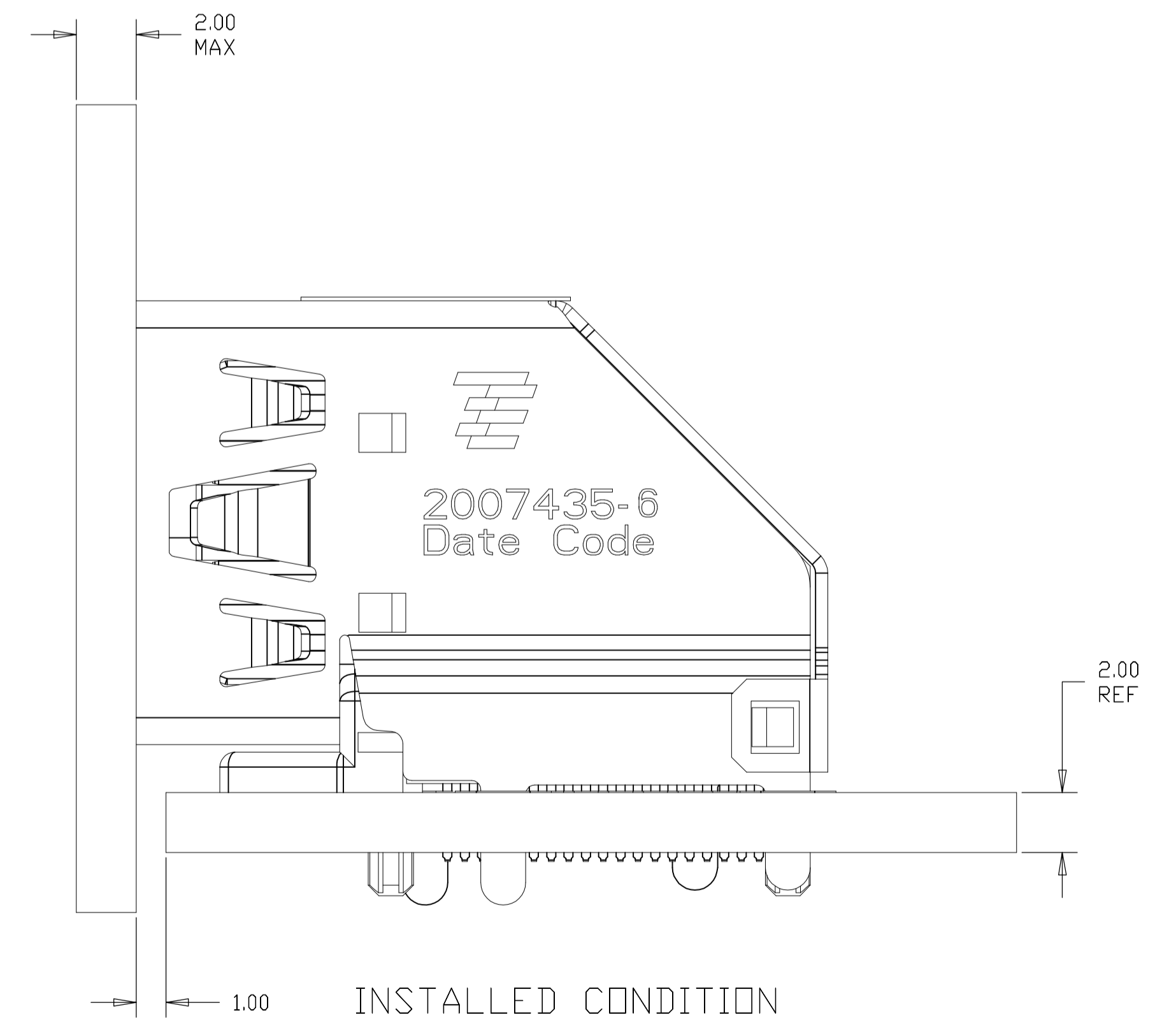
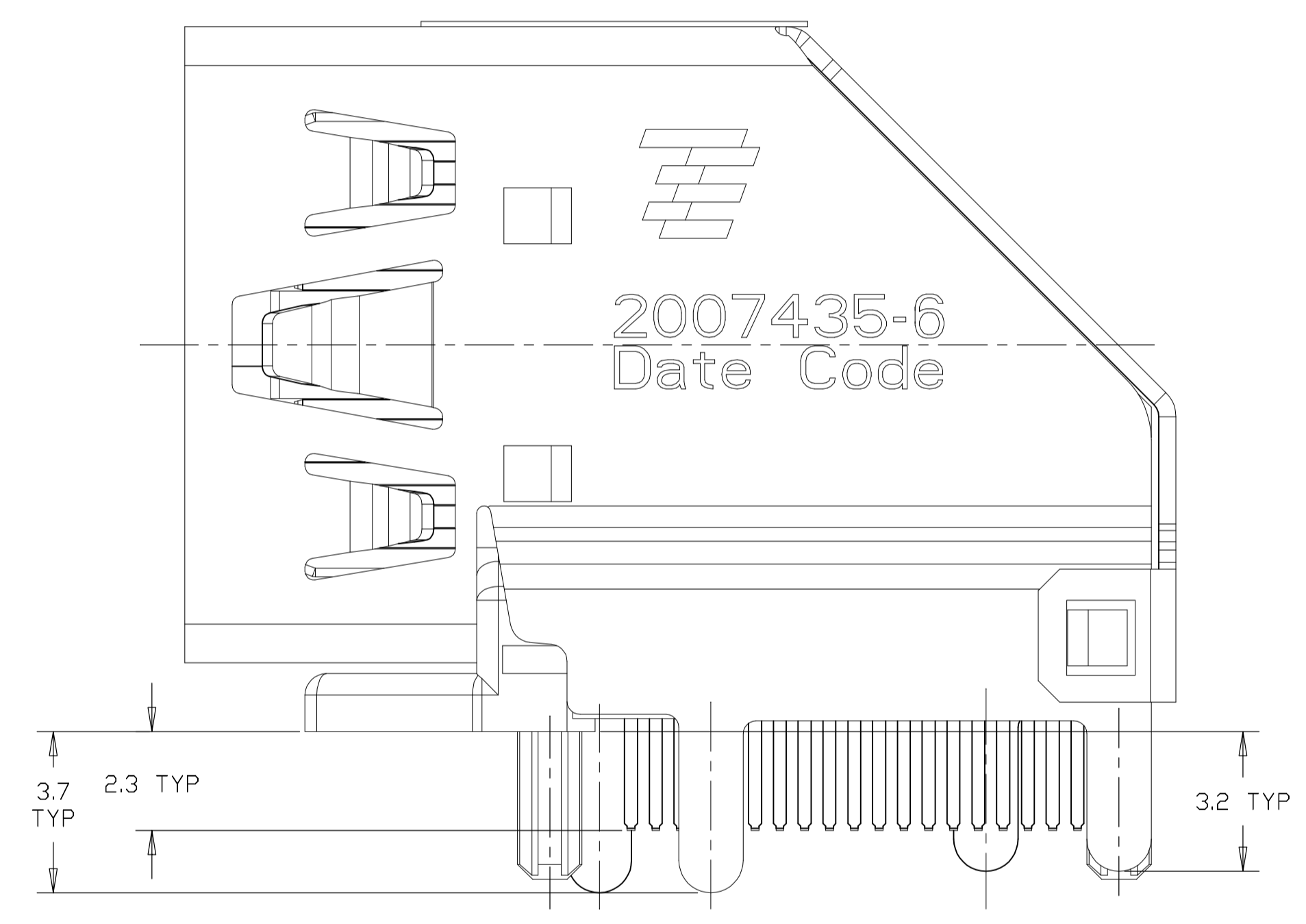
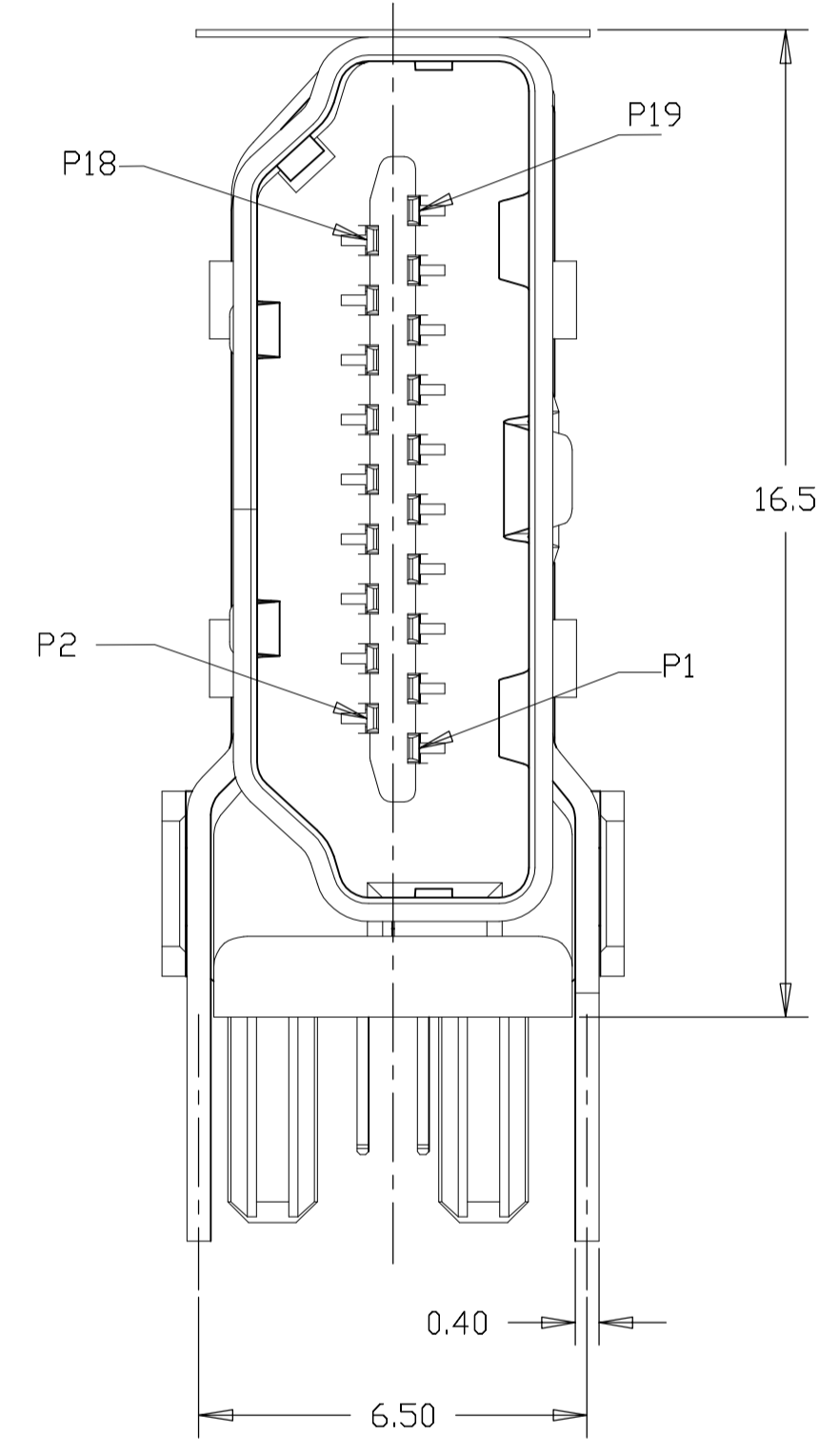


THIS DRAWING IS A CONTROLLED DOCUMENT.		DIN		TE Connectivity	
DIMENSIONS: mm		CHK			
DIMENSIONS: mm 0. PLC ± 0.3 1. PLC ± 0.25 2. PLC ± 0.10 3. PLC ± 0.10 4. PLC ± 0.10 ANGLES ± -		TOLERANCES UNLESS OTHERWISE SPECIFIED: APVD PRODUCT SPEC APPLICATION SPEC		NAME HDMI FLAG CONNECTOR ASSEMBLY	
MATERIAL SEE TABLE		FINISH		SIZE CAGE CODE DRAWING NO A1 00779 C=2007435	
		WEIGHT CUSTOMER DRAWING		RESTRICTED TO SCALE 8:1 SHEET 4 OF 10 REV D2	

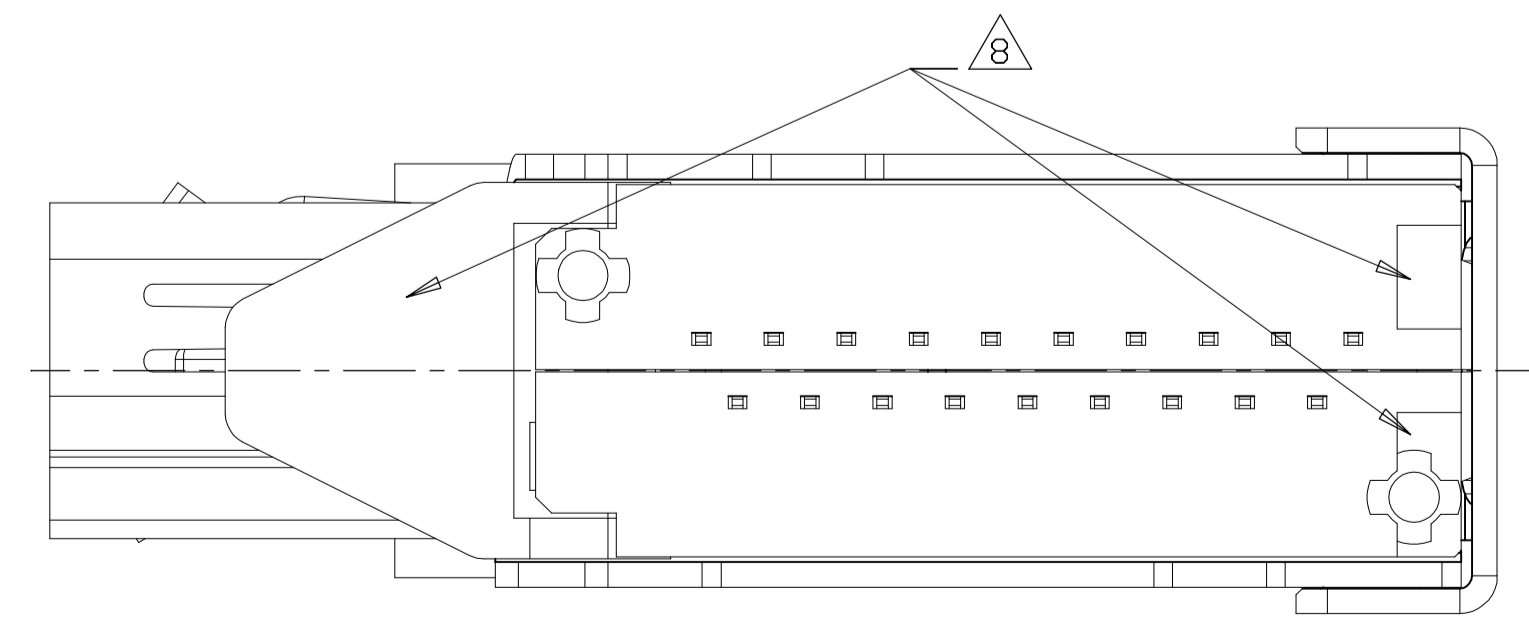
LOC		DIST		REVISIONS			
P	LTR	DESCRIPTION	DATE	DNW	APVD		
-	-	SEE SHEET 1	-	-	-	-	-



2007435-6 WITH POLYIMIDE TAPE,  
UNMARKED DIMENSIONS SAME AS 2007435-1  
SCALE 6:1

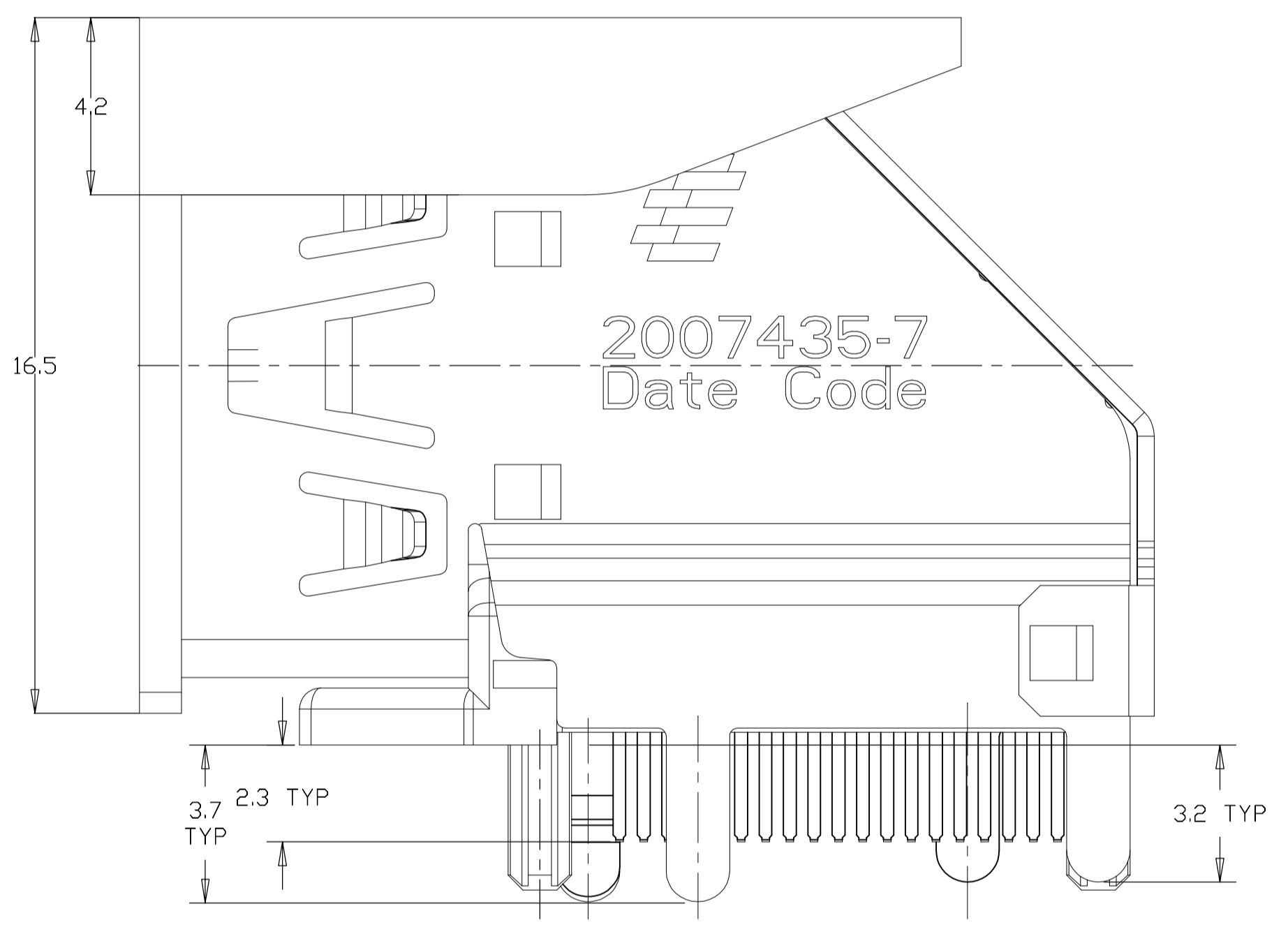
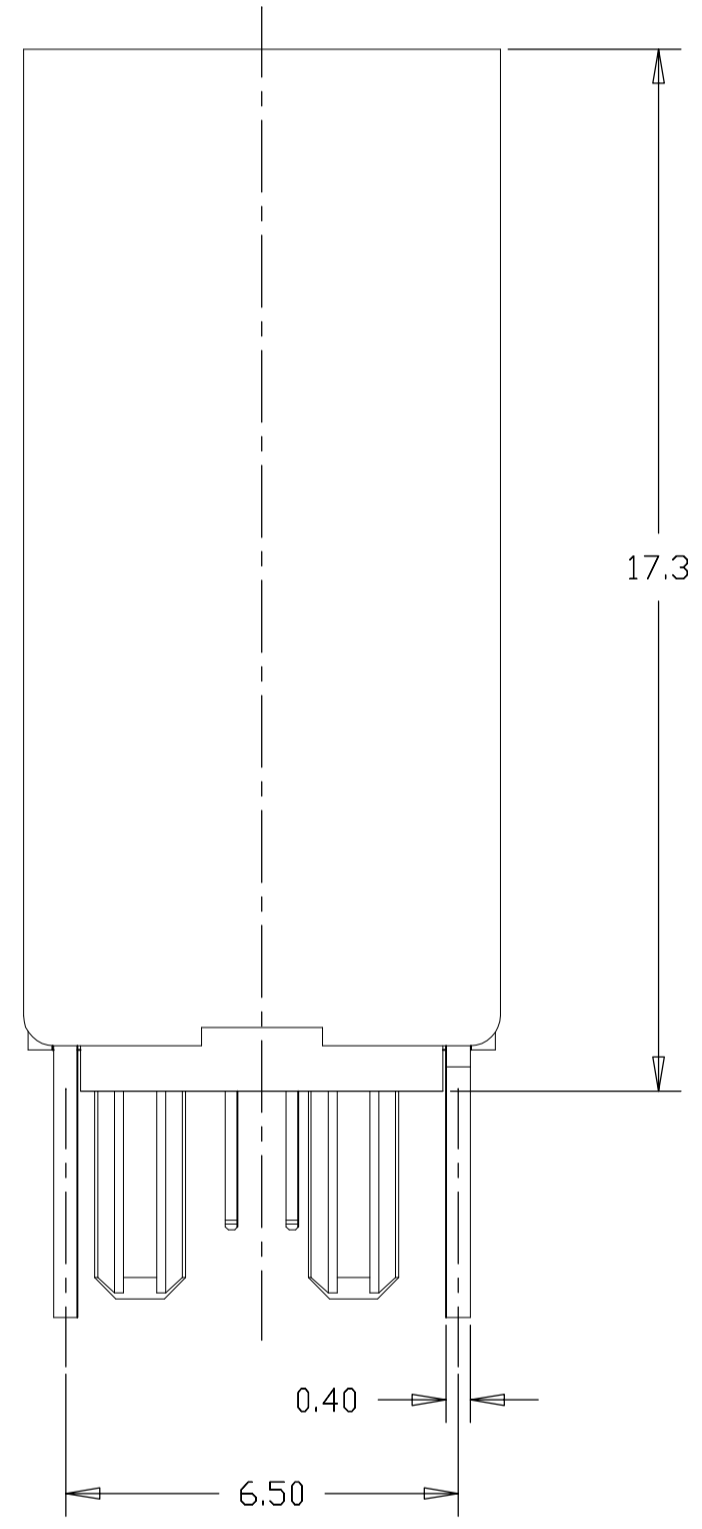
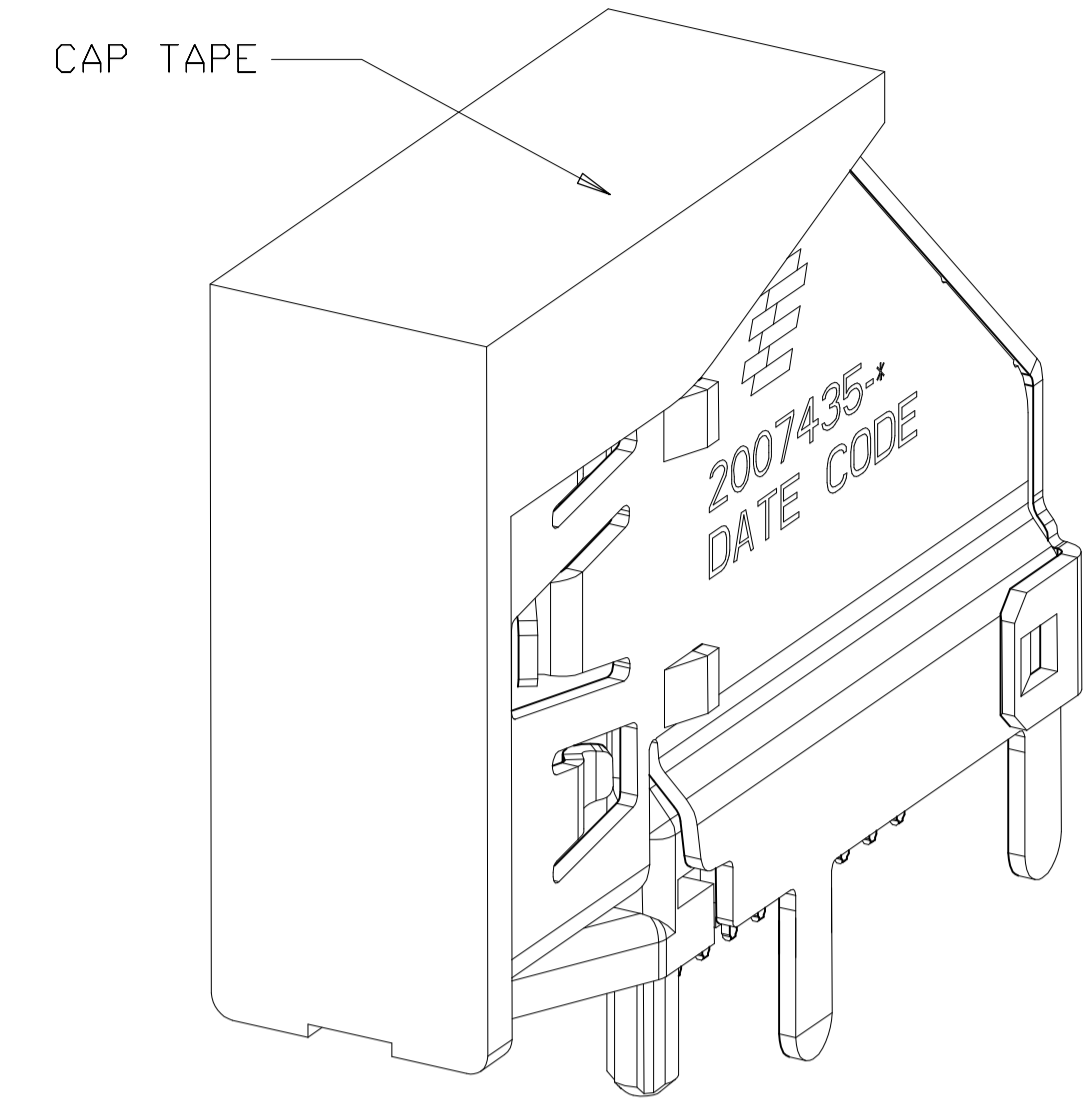
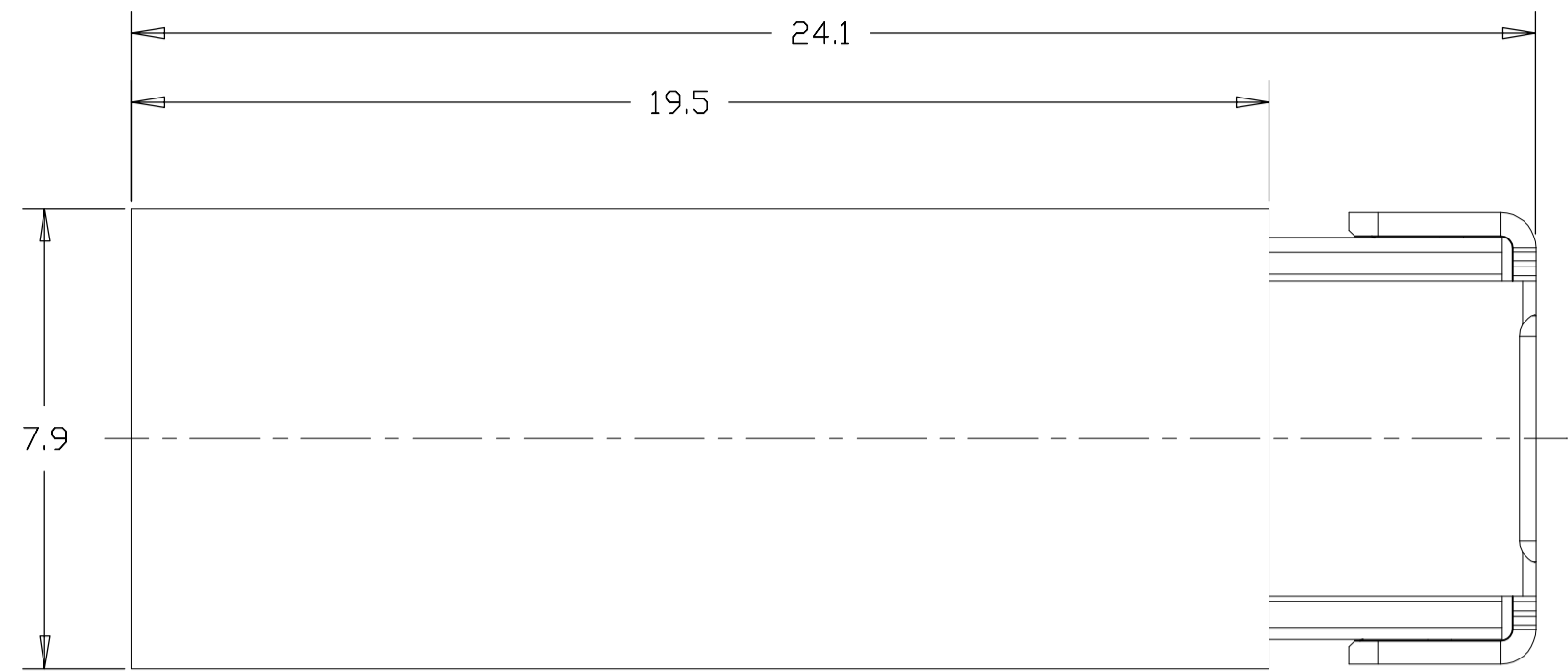


SCALE 6:1



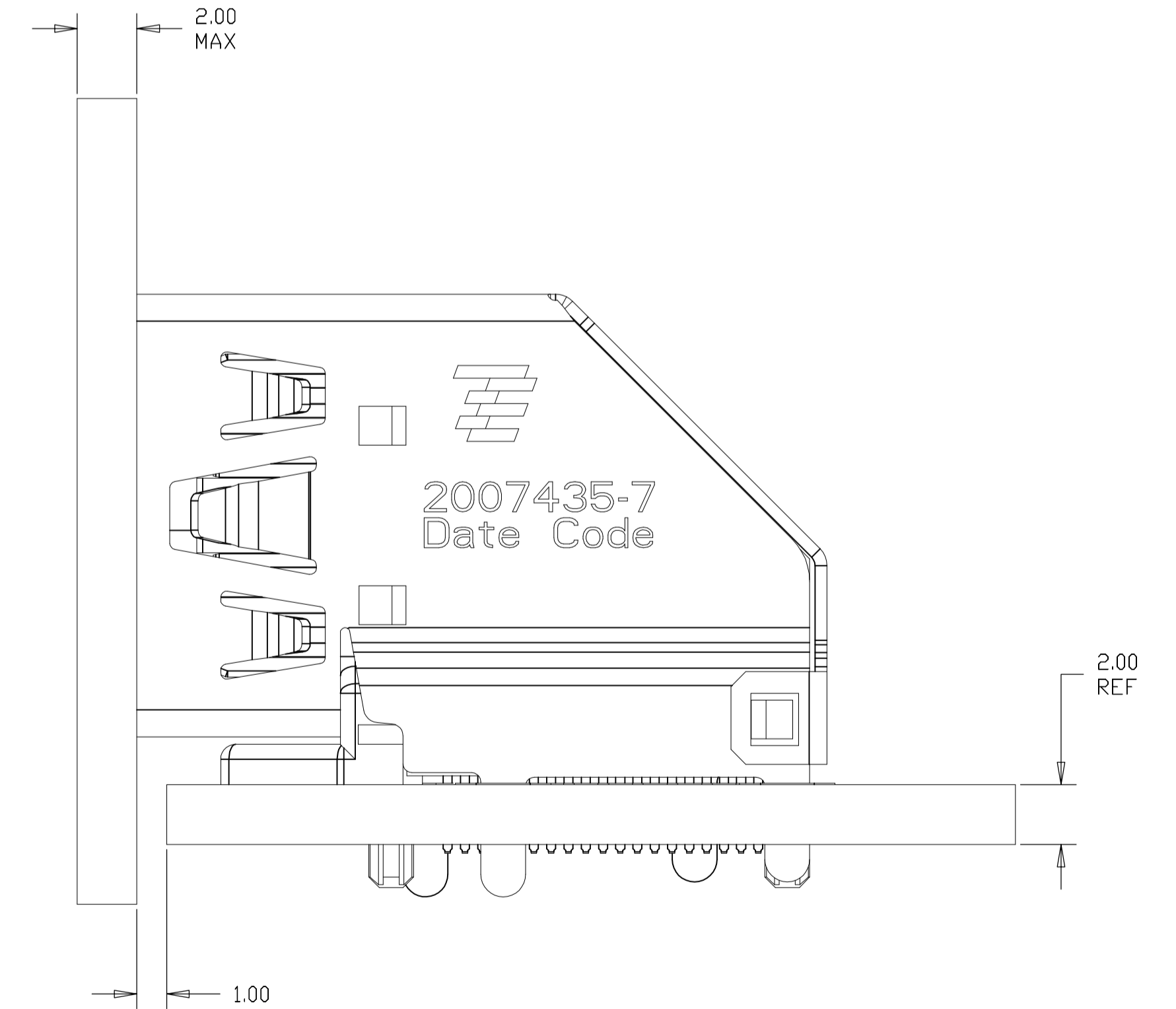
THIS DRAWING IS A CONTROLLED DOCUMENT.		DIN	STE TE Connectivity	
DIMENSIONS:	TOLERANCES UNLESS OTHERWISE SPECIFIED:	CHK	NAME	
mm	0. PLC ± 0.3	APVD	HDMI FLAG CONNECTOR ASSEMBLY	
	1. PLC ± 0.25	PRODUCT SPEC	-	
	2. PLC ± 0.10	APPLICATION SPEC	-	
	3. PLC ± 0.10	SIZE	A1	00779
	4. PLC ± 0.10	WEIGHT	-	-
MATERIAL	FINISH	RESTRICTED TO	CUSTOMER DRAWING	
SEE TABLE	2	SCALE	8:1	SHEET 5 OF 10

REVISES		DATE	DWN	APVD
LOC	DIST	DESCRIPTION		
-	-	SEE SHEET 1	-	-

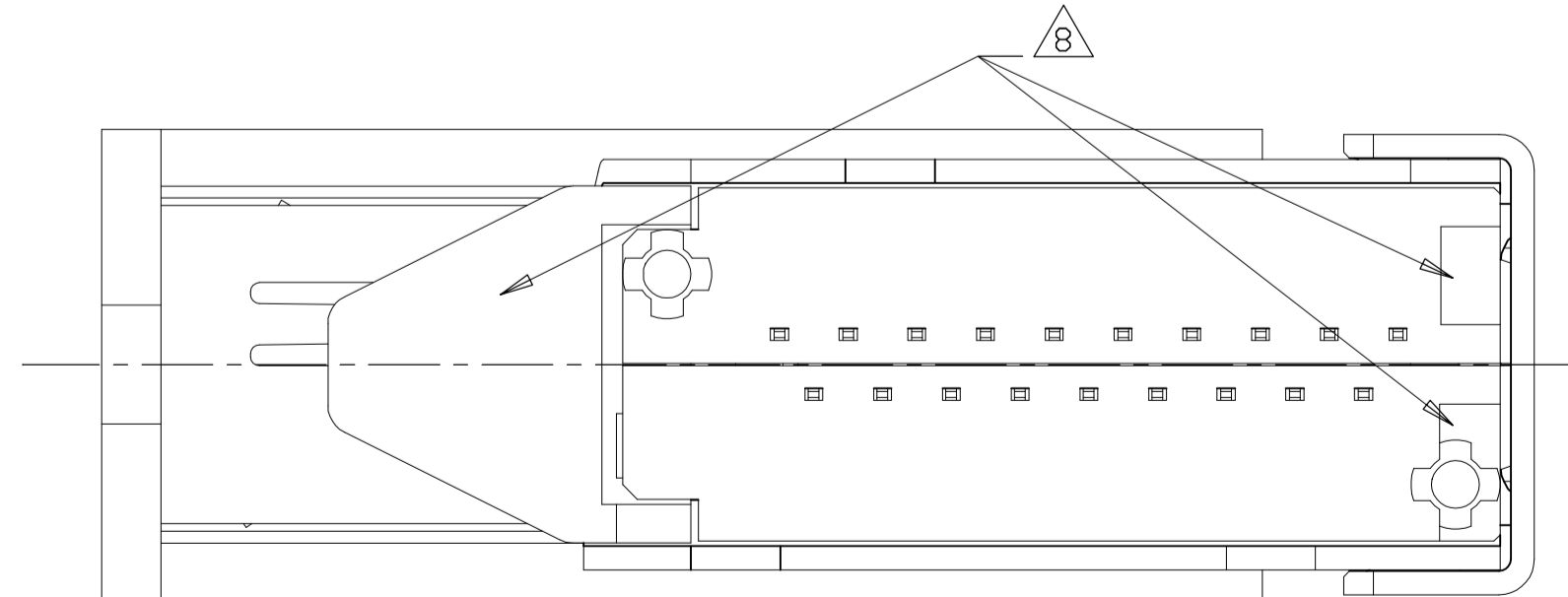


2007435-7 WITH CAP,  
 UNMARKED DIMENSIONS SAME AS 2007435-1

SCALE 6:1

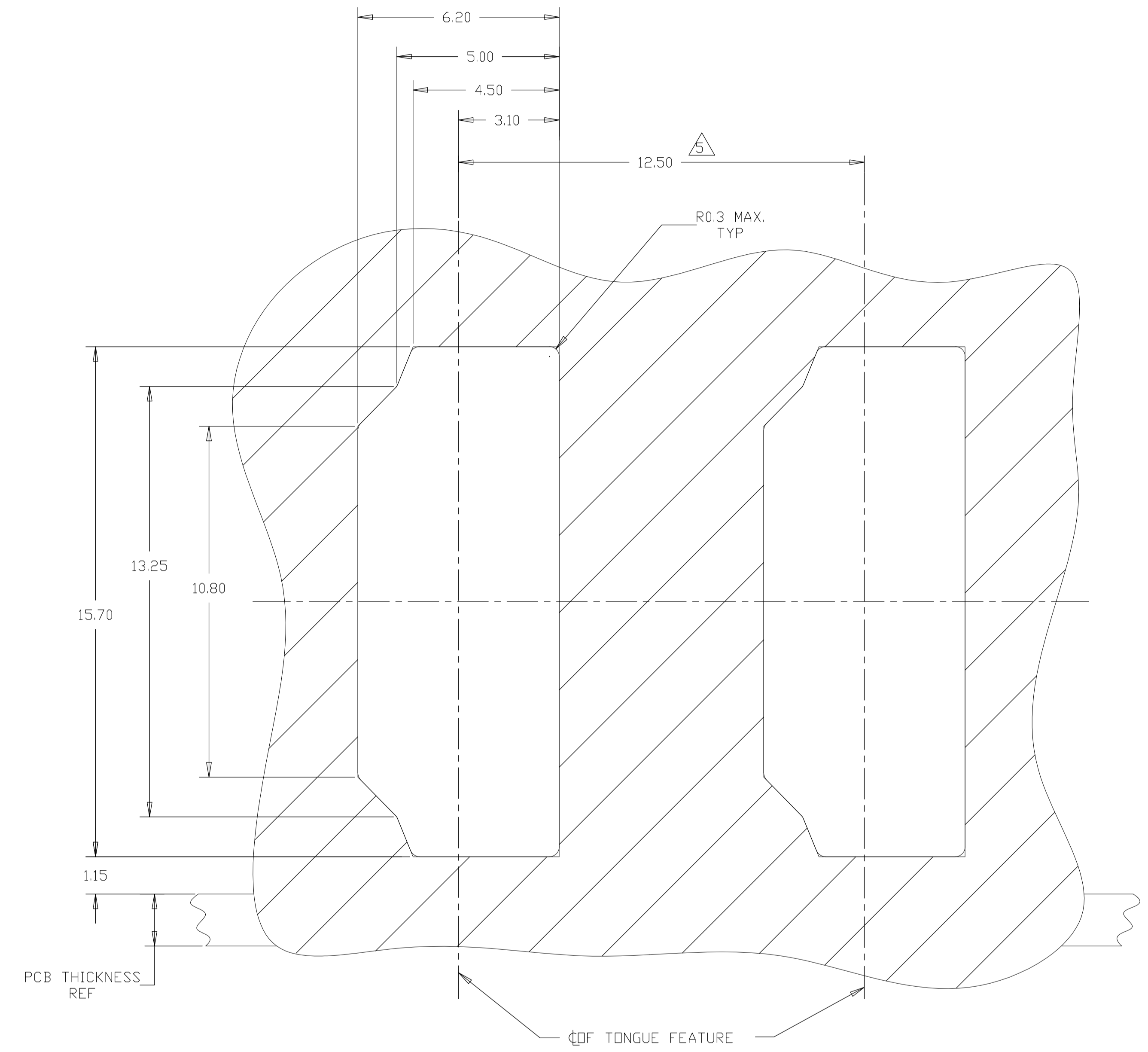
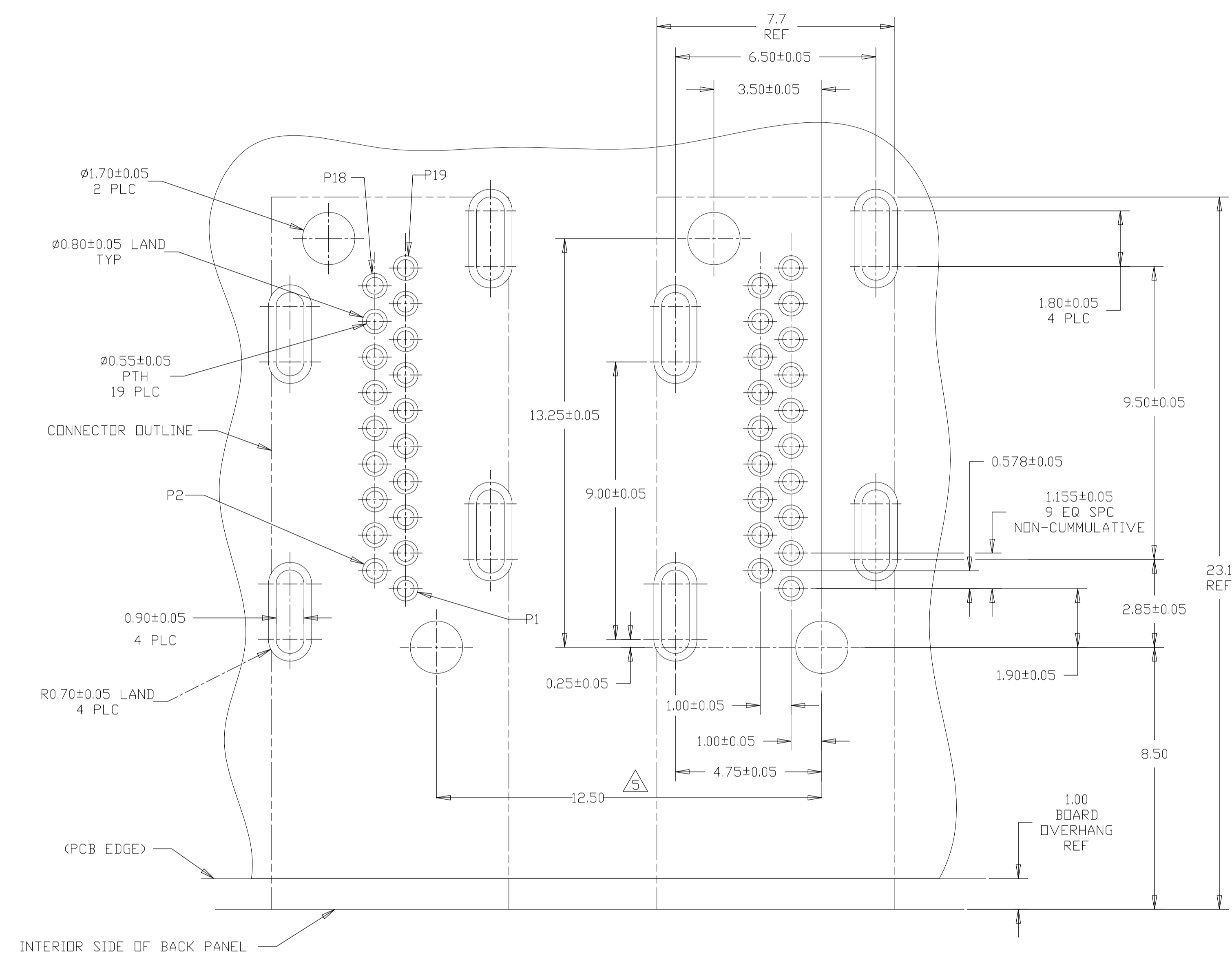


INSTALLED CONDITION  
 (ONLY FOR AFTER REMOVE CAP)  
 SCALE 6:1



THIS DRAWING IS A CONTROLLED DOCUMENT.		DWN	TE Connectivity	
DIMENSIONS: mm		CHK	NAME	
TOLERANCES UNLESS OTHERWISE SPECIFIED:		APVD	HDMI FLAG CONNECTOR ASSEMBLY	
0 PLC	± 0.3	PRODUCT SPEC	-	
1 PLC	± 0.25	APPLICATION SPEC	-	
2 PLC	± 0.10	WEIGHT	-	
3 PLC	± 0.10	CUSTOMER DRAWING	-	
4 PLC	± 0.10	SCALE	8:1	
ANGLES	±	SHEET	6 OF 10	
MATERIAL SEE TABLE	FINISH	REV	D2	

LOC		DIST		REVISIONS			
P	LTR	DESCRIPTION	DATE	DNW	APVD		
-	-	SEE SHEET 1	-	-	-	-	-

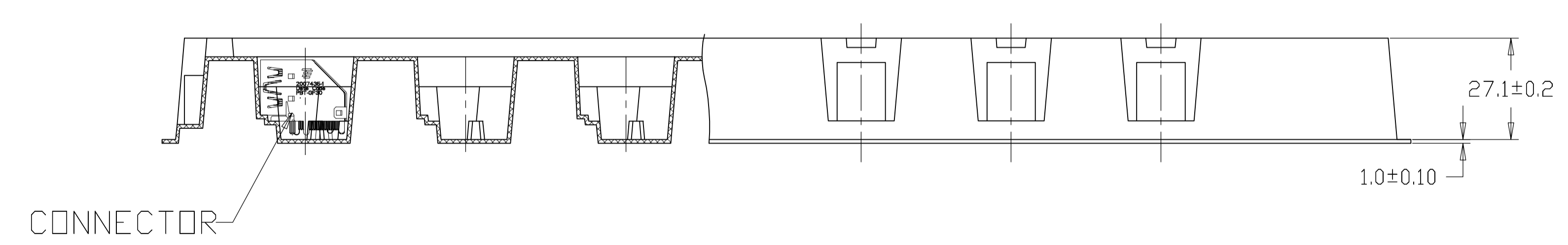
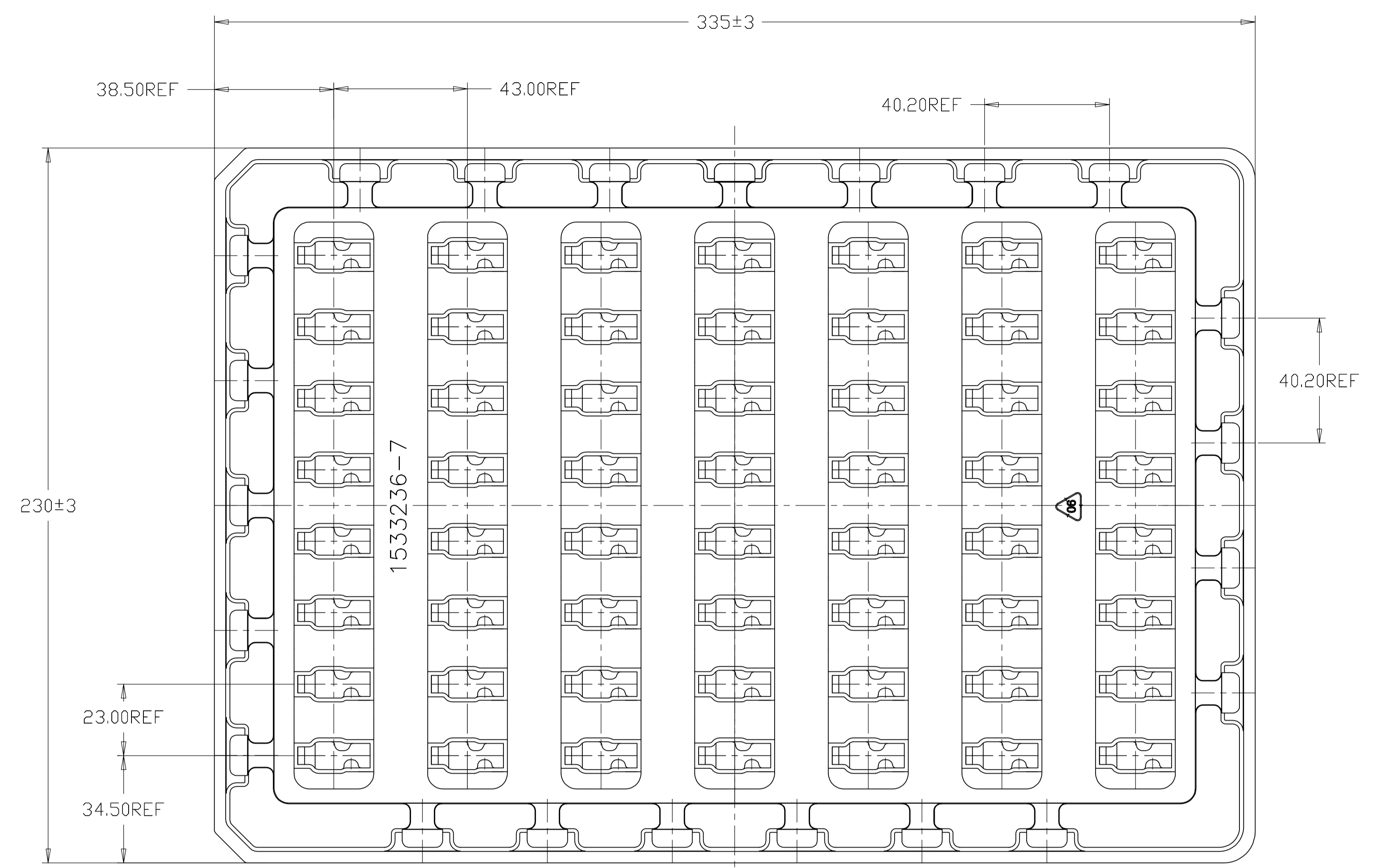


PCB LAYOUT SCALE 10:1

RECOMMENDED PANEL CUTOUT SCALE 10:1

THIS DRAWING IS A CONTROLLED DOCUMENT.		DIN	STE TE Connectivity	
DIMENSIONS: mm		CHK	NAME	
TOLERANCES UNLESS OTHERWISE SPECIFIED:		APVD	HDMI FLAG CONNECTOR ASSEMBLY	
0 PLC ± -		PRODUCT SPEC	-	
1 PLC ± 0.1		APPLICATION SPEC	-	
2 PLC ± 0.10		SIZE	A1	00779
3 PLC ± 0.100		CAGE CODE	C=2007435	DRAWING NO
4 PLC ± 0.1000		WEIGHT	-	RESTRICTED TO
ANGLES ± -		CUSTOMER DRAWING	SCALE 8:1	SHEET 7 OF 10

LOC		DIST		REVISIONS			
P	LTR	DESCRIPTION	DATE	DNW	APVD		
-	-	SEE SHEET 1	-	-	-	-	-

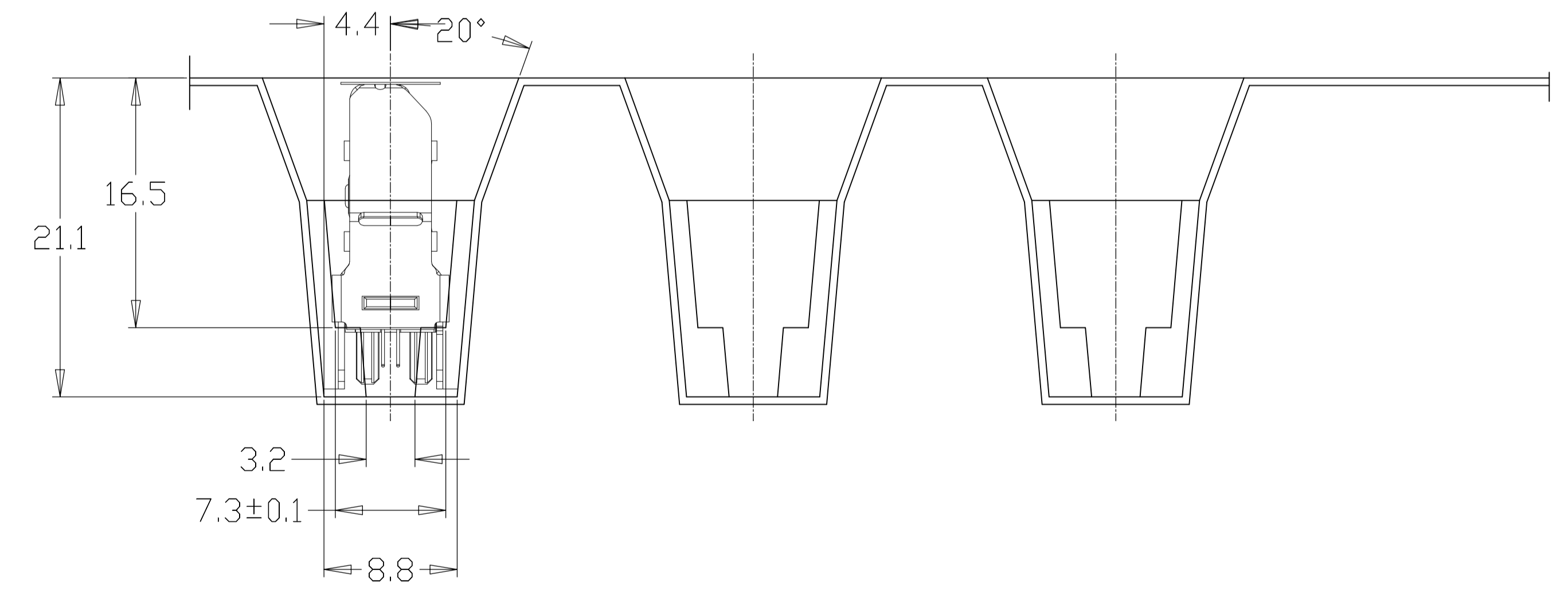
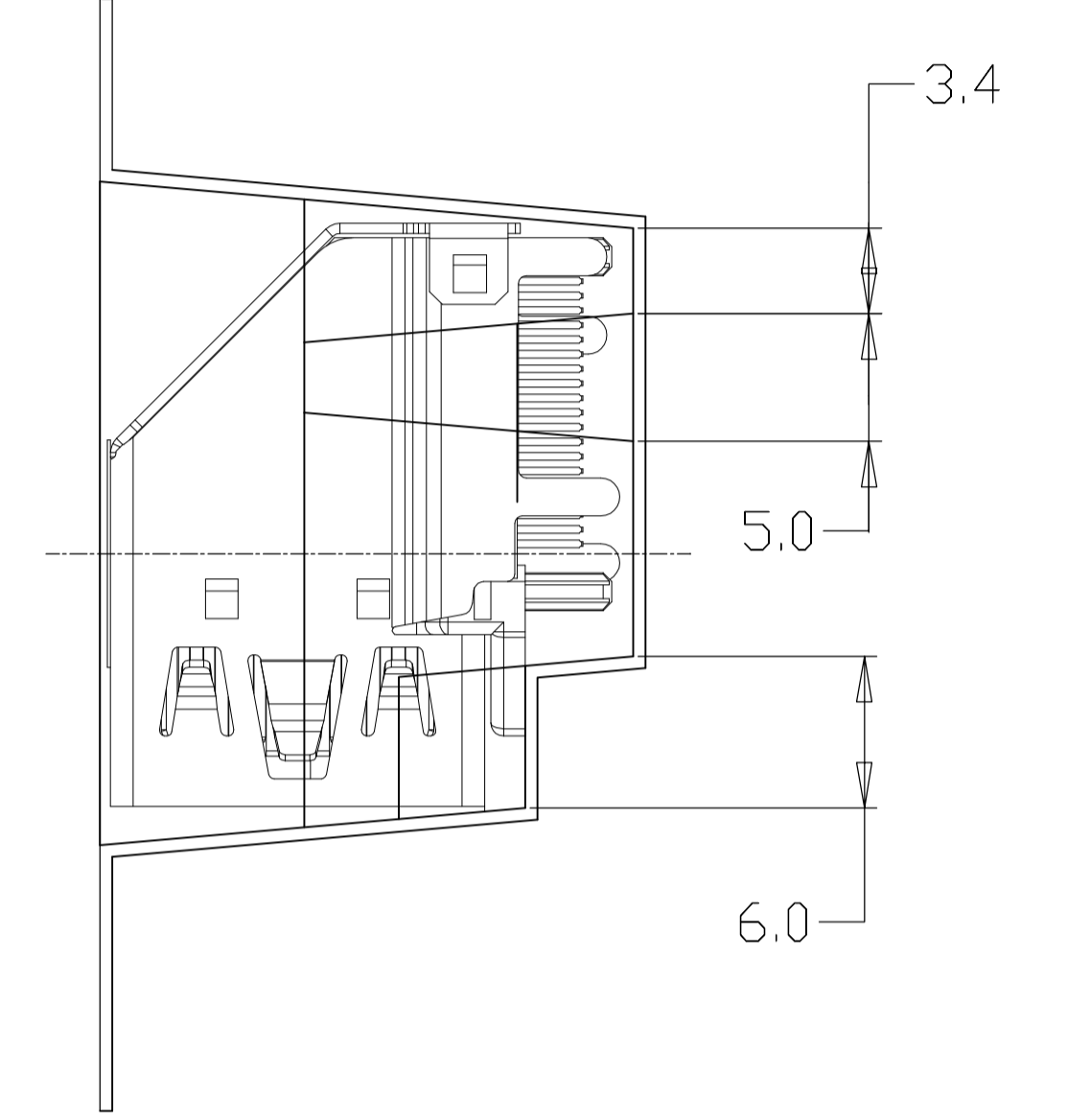
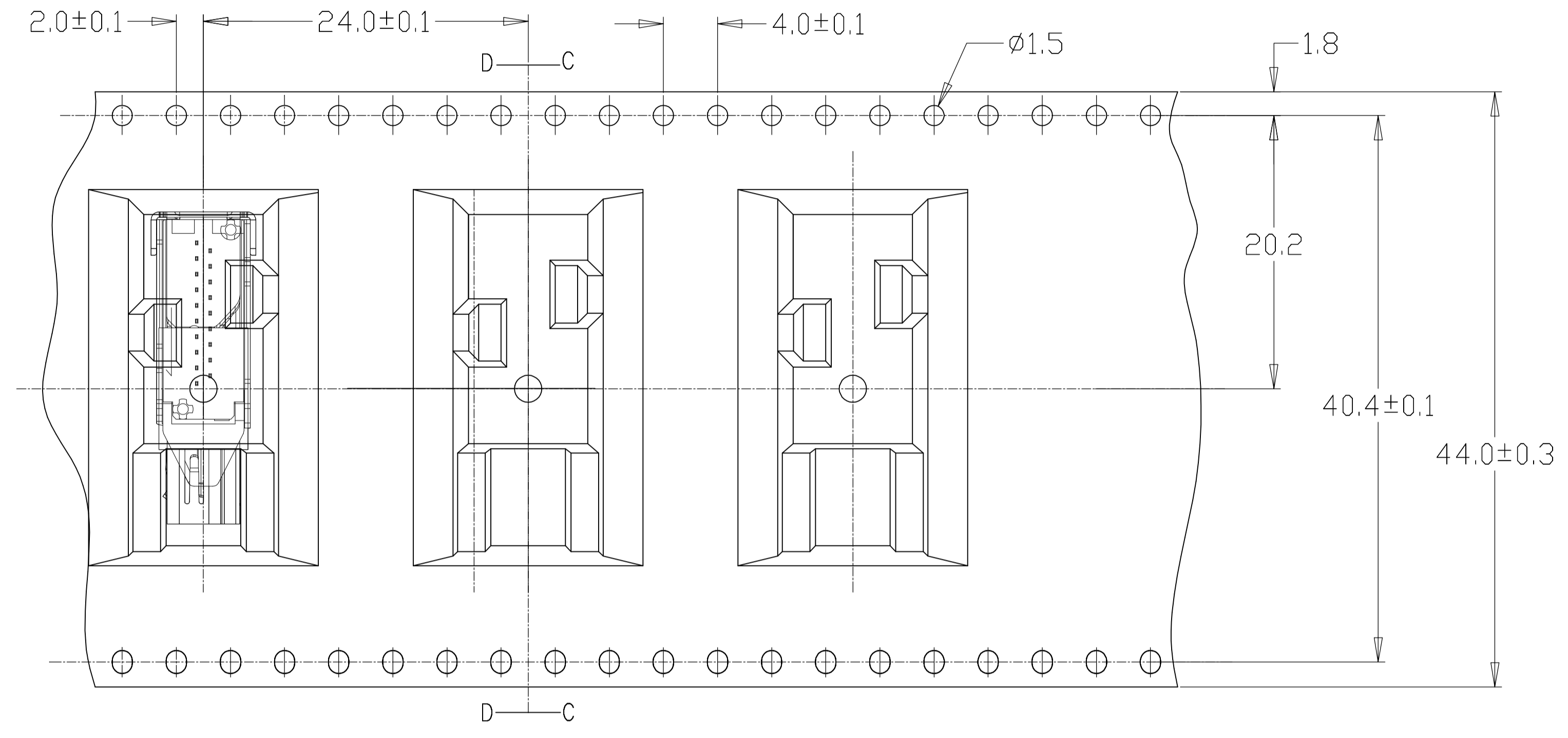
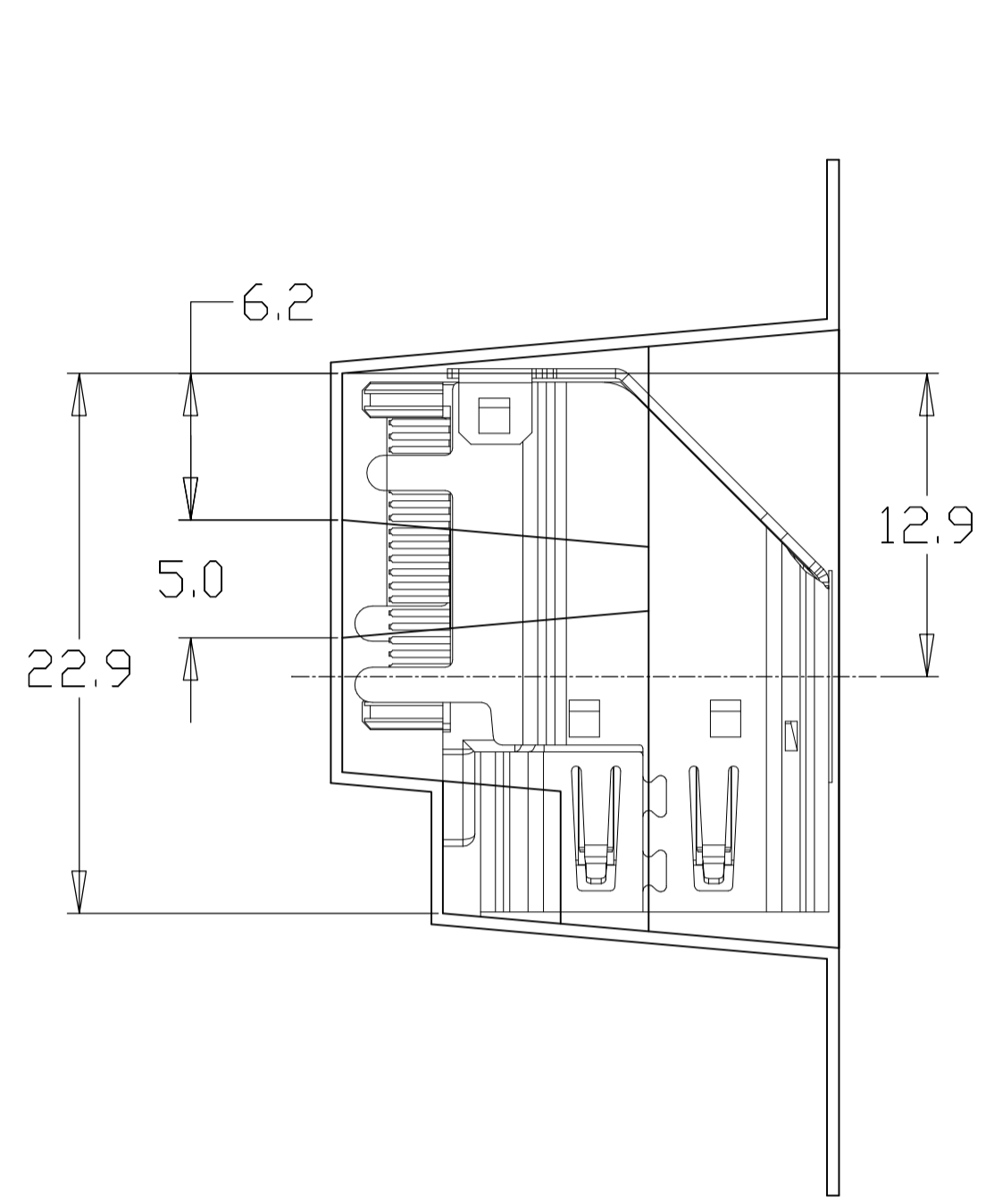


PACKAGE TRAY  
FOR PART NUMBER  
2007435-1,-2,-3,-4,-5  
2-2007435-1

THIS DRAWING IS A CONTROLLED DOCUMENT.		DIN		TE Connectivity	
DIMENSIONS: mm		TOLERANCES UNLESS OTHERWISE SPECIFIED:			
		0. PLC	±	NAME	
		1. PLC	±	HDMI FLAG	
		2. PLC	±	CONNECTOR ASSEMBLY	
		3. PLC	±	PRODUCT SPEC	
		4. PLC	±	APPLICATION SPEC	
		ANGLES	±	SIZE	
MATERIAL		FINISH		A1 00779 C=2007435	
				WEIGHT	
				CUSTOMER DRAWING	
				SCALE N/A SHEET 8 OF 10 REV D2	



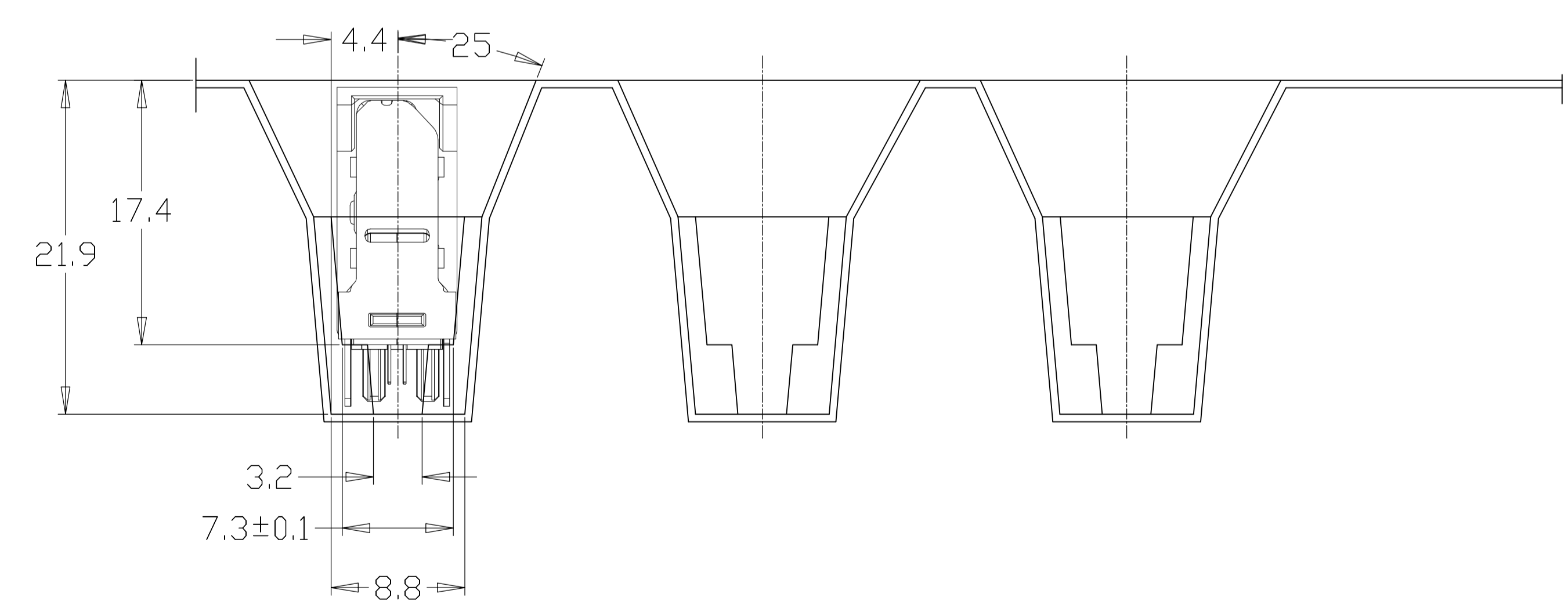
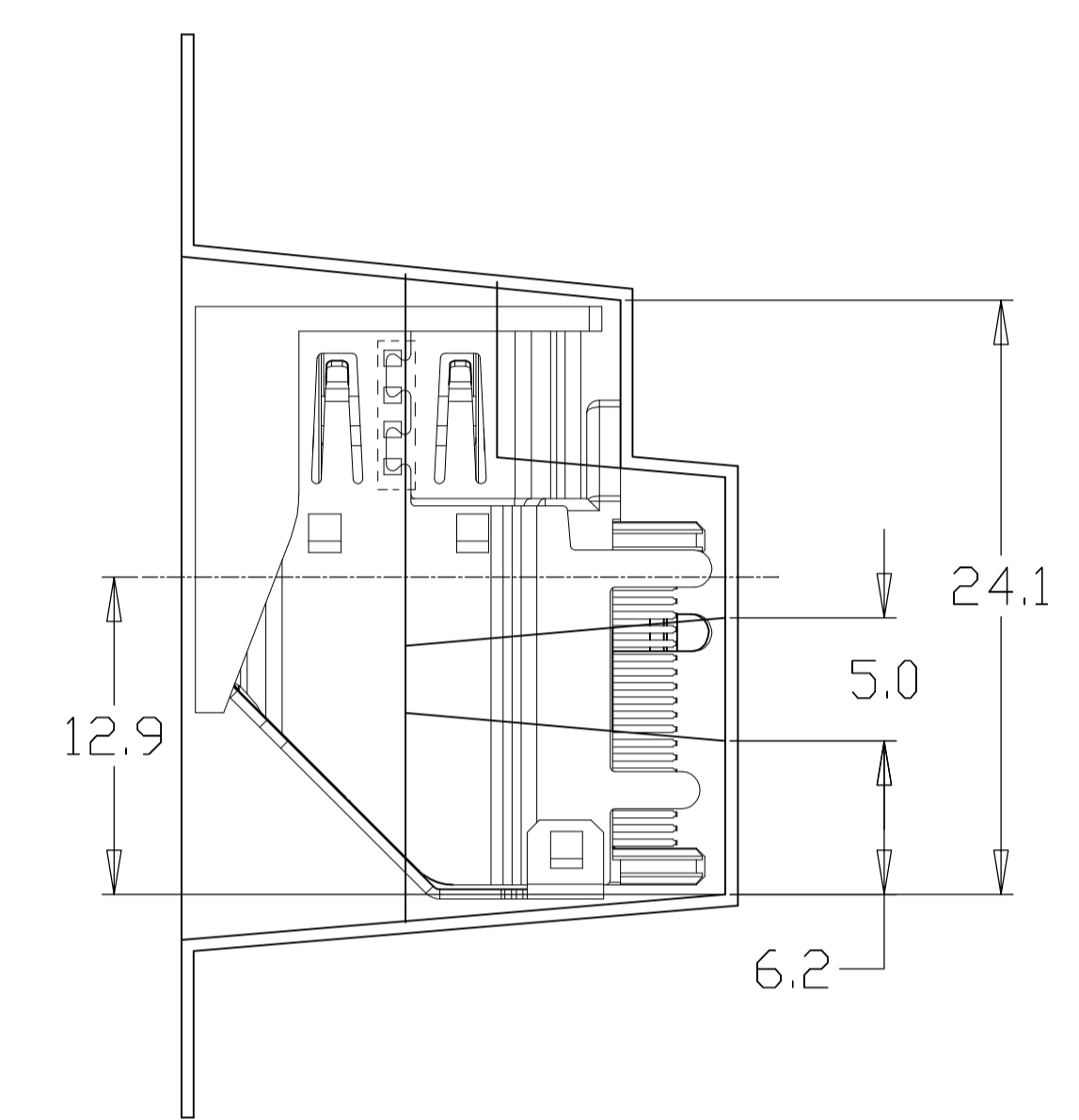
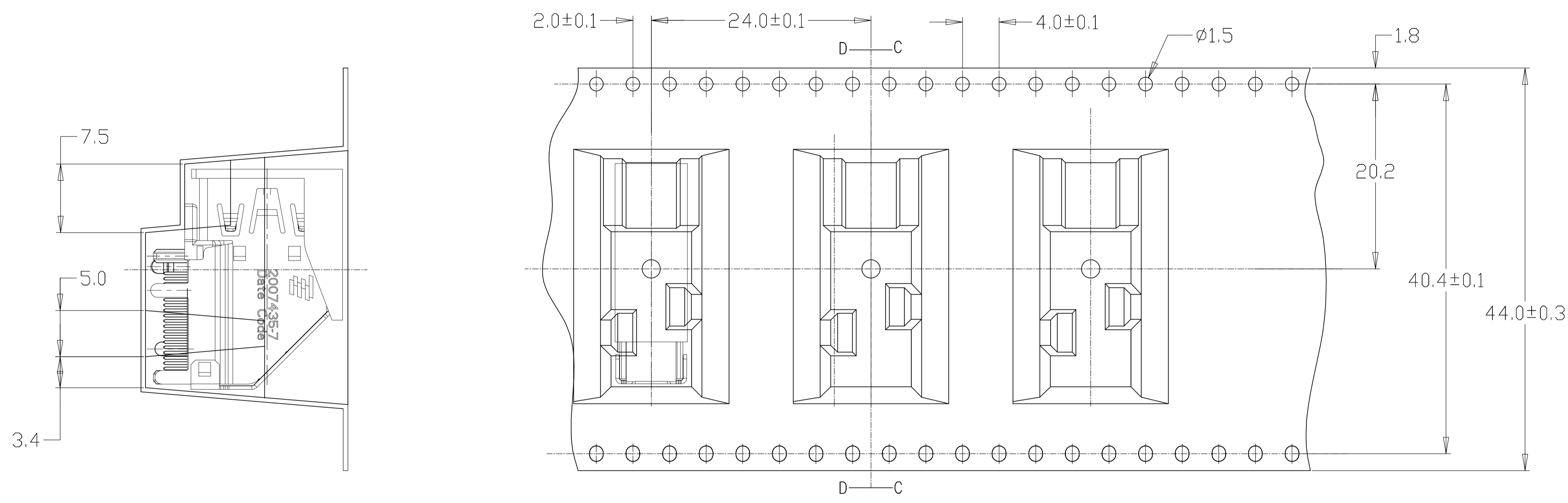
LOC		DIST		REVISIONS			
P	LTR	DESCRIPTION	DATE	DN	APVD		
-	-	SEE SHEET 1	-	-	-	-	-



EMBOSS TAPE  
FOR PART NUMBER 2007435-6

THIS DRAWING IS A CONTROLLED DOCUMENT.		DIN		TE Connectivity	
DIMENSIONS: mm		CHK			
TOLERANCES UNLESS OTHERWISE SPECIFIED:		APVD		NAME	
0. PLC ± 0.3		PRODUCT SPEC		HDMI FLAG CONNECTOR ASSEMBLY	
1. PLC ± 0.15		APPLICATION SPEC		-	
2. PLC ± 0.10		WEIGHT		SIZE CAGE CODE DRAWING NO. RESTRICTED TO	
3. PLC ± 0.10		CUSTOMER DRAWING		A1 00779 C=2007435	
4. PLC ± 0.10		SCALE N/A		SHEET 9 OF 10 REV D2	
ANGLES ± 0.10					
FINISH					

LOC		DIST		REVISIONS			
P	LTR	DESCRIPTION	DATE	DN	APVD		
-	-	SEE SHEET 1	-	-	-	-	-



EMBOSS TAPE  
FOR PART NUMBER 2007435-7

THIS DRAWING IS A CONTROLLED DOCUMENT.		DIN		TE Connectivity	
DIMENSIONS: mm		CHK			
TOLERANCES UNLESS OTHERWISE SPECIFIED:		APVD		NAME	
0. PLC ± 0.3		PRODUCT SPEC		HDMI FLAG CONNECTOR ASSEMBLY	
1. PLC ± 0.15		APPLICATION SPEC		-	
2. PLC ± 0.10		WEIGHT		SIZE CAGE CODE DRAWING NO. RESTRICTED TO	
3. PLC ± 0.10		CUSTOMER DRAWING		A1 00779 C=2007435	
4. PLC ± 0.10		SCALE N/A		SHEET 10 OF 10 REV D2	
ANGLES ±					
FINISH					