



Selector switch, illuminable, 22 mm, round, plastic, yellow, selector switch, short, 2 switch positions O<I, momentary contact type, Actuating angle 45°, 10:30h/12h Z=50-unit packaging

|  |   |
|--|---|
| product brand name                                 | SIRIUS ACT  |
| product designation                                | Selector switches   |
| design of the product                              | Actuating/signaling element                                       |
| product type designation                           | 3SU1  |
| product line                                       | Plastic, black, 22 mm   |
| <b>Enclosure</b>                                   |   |
| number of command points                           | 1   |
| <b>Actuator</b>                                    |   |
| design of the actuating element                    | Selector, short   |
| principle of operation of the actuating element    | momentary contact, 45° (10:30 h/12 h), return from center to left |
| product extension optional                         |   |
| • light source                                     | Yes   |
| • contact module                                   | Yes   |
| color of the actuating element                     | yellow  |
| material of the actuating element                  | plastic   |
| shape of the actuating element                     | Handle  |
| outer diameter of the actuating element            | 32.3 mm   |
| number of switching positions                      | 2   |
| actuating angle                                    |   |
| • clockwise  | 45°   |
| <b>Front ring</b>                                  |   |
| product component front ring                       | Yes   |
| design of the front ring                           | standard  |
| material of the front ring                         | plastic   |
| color of the front ring                            | black   |
| <b>General technical data</b>                      |   |
| protection class IP                                | IP66, IP67, IP69(IP69K)   |
| degree of protection NEMA rating                   | 1, 2, 3, 3R, 4, 4X, 12, 13  |
| shock resistance                                   |   |
| • according to IEC 60068-2-27                      | sinusoidal half-wave 15g / 11 ms                                  |
| • for railway applications according to EN 61373   | Category 1, Class B   |
| vibration resistance                               |   |
| • according to IEC 60068-2-6                       | 10 ... 500 Hz: 5g   |
| • for railway applications according to EN 61373   | Category 1, Class B   |
| operating frequency maximum                        | 1 800 1/h   |
| mechanical service life (switching cycles) typical | 1 000 000   |
| reference code according to IEC 81346-2            | S   |
| Substance Prohibitance (Date)                      | 10/01/2014  |
| <b>Safety related data</b>                         |   |

|   |         |
|---|---------|
| B10 value with high demand rate according to SN 31920         | 500 000 |
| <b>proportion of dangerous failures</b>                       |         |
| • with low demand rate according to SN 31920                  | 20 %    |
| • with high demand rate according to SN 31920                 | 20 %    |
| failure rate [FIT] with low demand rate according to SN 31920 | 100 FIT |

|  |  |
|--|--|
| <b>Ambient conditions</b>                                      |  |
| <b>ambient temperature</b>                                     |  |
| • during operation   | -25 ... +70 °C   |
| • during storage   | -40 ... +80 °C   |
| environmental category during operation according to IEC 60721 | 3M6, 3S2, 3B2, 3C3, 3K6 (with relative air humidity of 10 ... 95%) |

|  |         |
|--|---------|
| <b>Installation/ mounting/ dimensions</b>          |         |
| <b>height</b>                                      | 32.3 mm |
| <b>width</b>                                       | 32.3 mm |
| <b>shape of the installation opening</b>           | round   |
| <b>mounting diameter</b>                           | 22.3 mm |
| <b>positive tolerance of installation diameter</b> | 0.4 mm  |
| <b>mounting height</b>                             | 28.8 mm |
| <b>installation width</b>                          | 32.3 mm |
| <b>installation depth</b>                          | 25.4 mm |

**Certificates/ approvals**

**Further information**

Information- and Downloadcenter (Catalogs, Brochures,...)

<https://www.siemens.com/ic10>

Industry Mall (Online ordering system)

[https://mall.industry.siemens.com/mall/en/en/Catalog/product?mlfb=3SU1002-2BC30-0AA0-Z\\_X90](https://mall.industry.siemens.com/mall/en/en/Catalog/product?mlfb=3SU1002-2BC30-0AA0-Z_X90)

Cax online generator

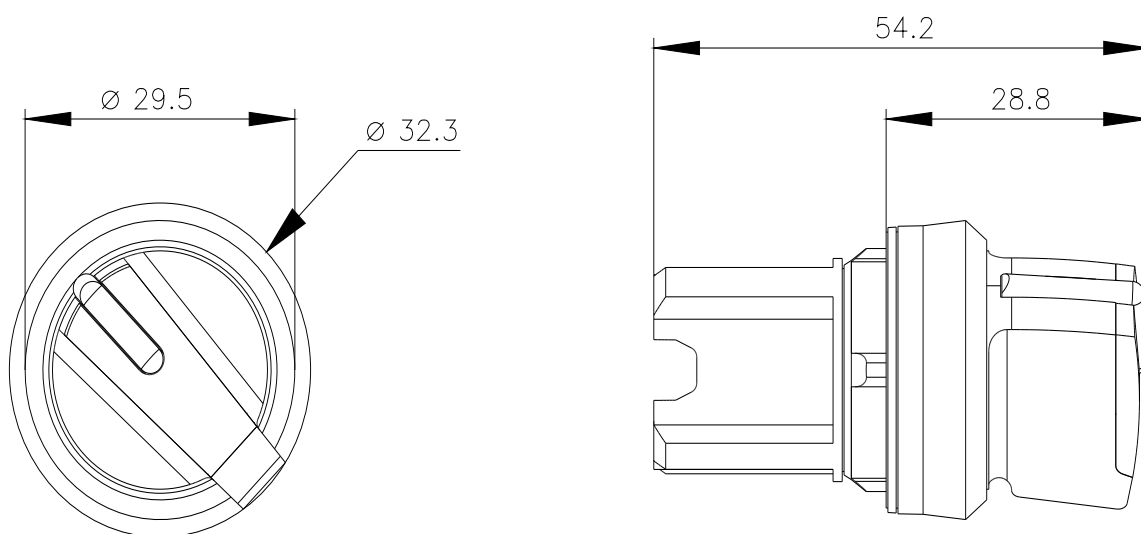
[http://support.automation.siemens.com/WW/CAXorder/default.aspx?lang=en&mlfb=3SU1002-2BC30-0AA0-Z\\_X90](http://support.automation.siemens.com/WW/CAXorder/default.aspx?lang=en&mlfb=3SU1002-2BC30-0AA0-Z_X90)

Service&Support (Manuals, Certificates, Characteristics, FAQs,...)

[https://support.industry.siemens.com/cs/ww/en/ps/3SU1002-2BC30-0AA0-Z\\_X90](https://support.industry.siemens.com/cs/ww/en/ps/3SU1002-2BC30-0AA0-Z_X90)

Image database (product images, 2D dimension drawings, 3D models, device circuit diagrams, EPLAN macros, ...)

[http://www.automation.siemens.com/bilddb/cax\\_de.aspx?mlfb=3SU1002-2BC30-0AA0-Z\\_X90&lang=en](http://www.automation.siemens.com/bilddb/cax_de.aspx?mlfb=3SU1002-2BC30-0AA0-Z_X90&lang=en)



last modified:

1/26/2022 