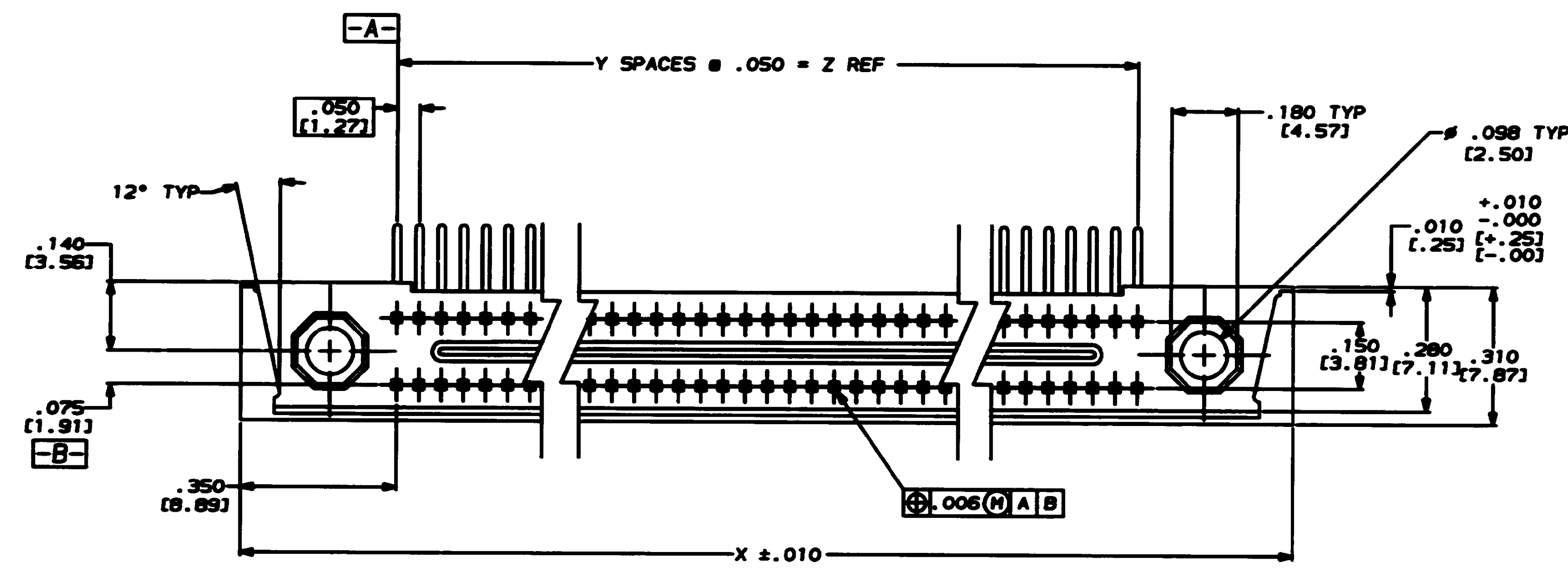
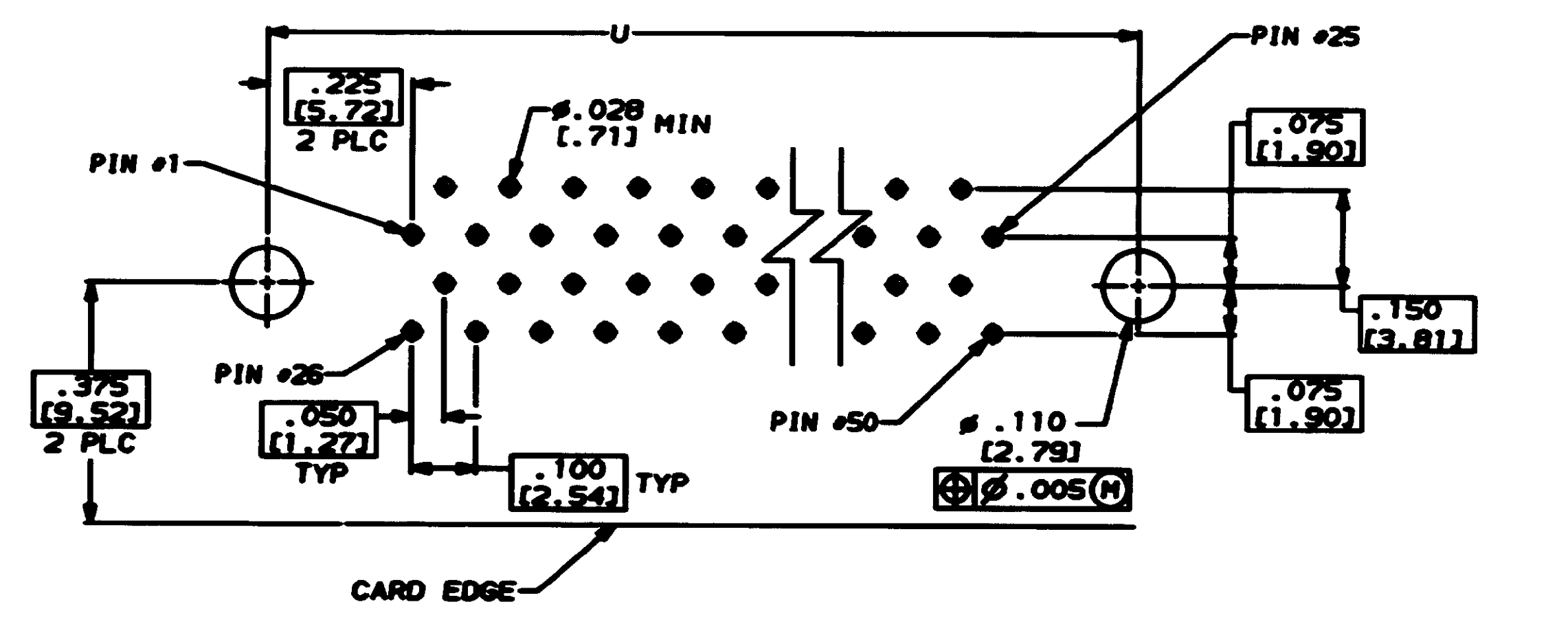
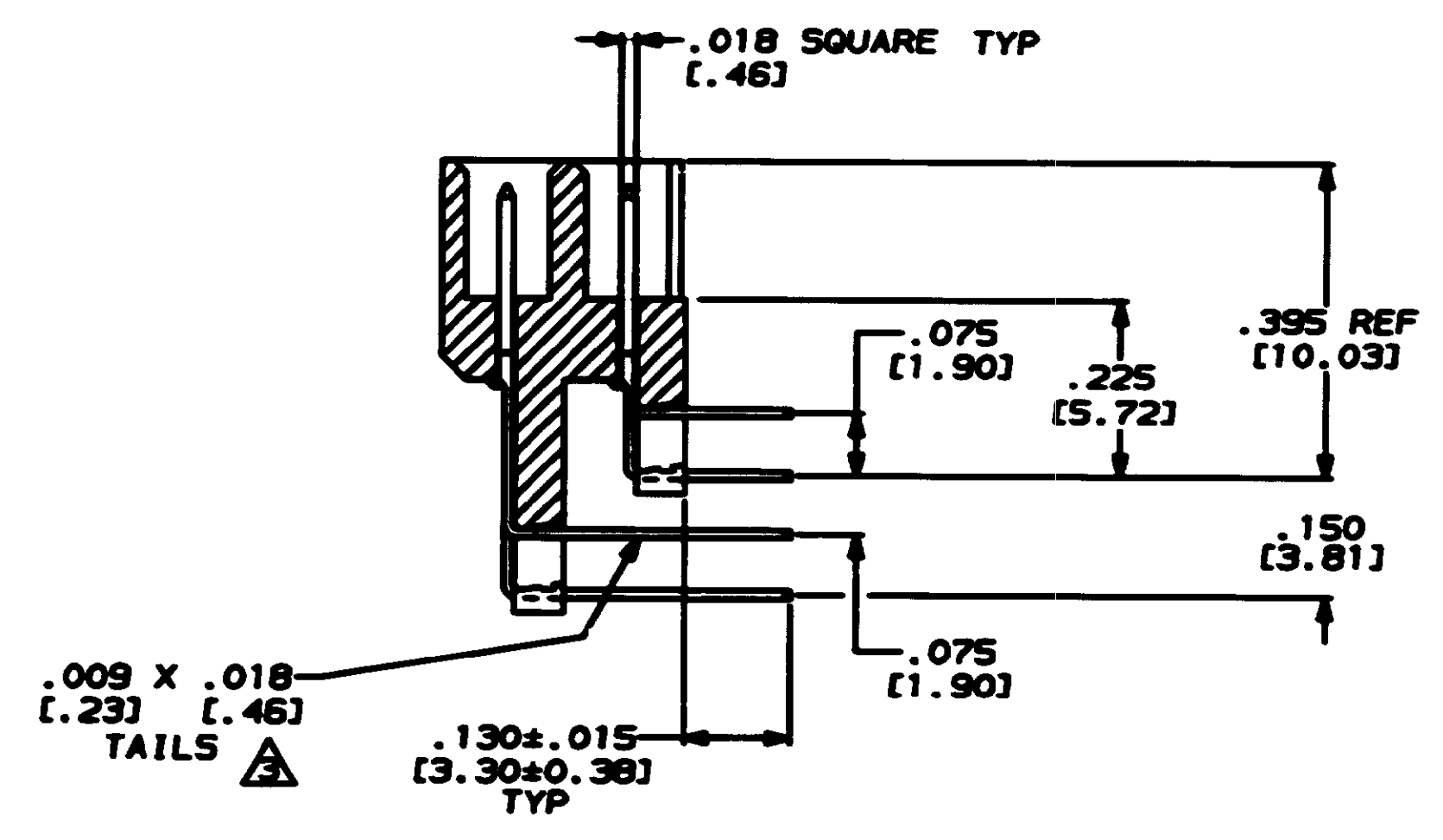
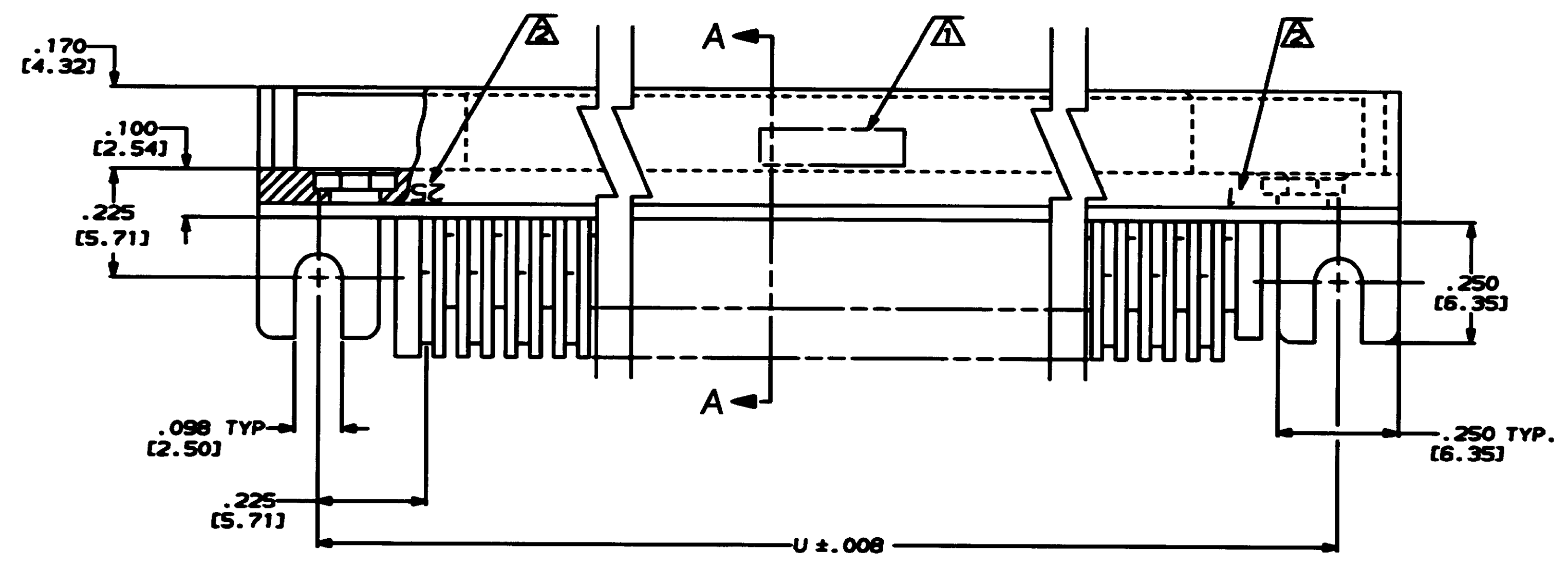


REV. NO.		DATE		DESCRIPTION		DATE	APPD
0	REL PER	NPR 94-1947	TA			3-31-64	DG



- △ MARK AMP, PART NO., DATE CODE
- △ NUMBERS INDICATING END POSITIONS MARKED THIS SIDE ONLY.
- △ .000030 GOLD IN CONTACT AREA, SELECTIVE OVER NICKEL TIN ON CONTACT TAILS. CONTACT MATL. BRASS.
- △ HOUSING MATERIAL: LIQUID CRYSTAL POLYMER PER MIL-M-24519, GLCP-30F, COLOR: GRAY.



CONTACT IDENT NUMBERS	Z	Y	X	U	NO OF POSN	PART NUMBER
1 - 25	1.200 [30.48]	24	1.900 [48.26]	1.650 [41.91]	50	449793-1
DO NOT SCALE PRINT. UNLESS SPECIFIED DIMENSIONS IN INCHES TOLERANCES ON:		OR 3-31-64 T. ALEXANDER		AMP INCORPORATED MOORESPRING, PA. 17048 <b>ASSEMBLY, PIN HEADER, MINI-BOX RIGHT ANGLE</b>		
2 PLC DEC ± .005		OR 3-31-64 B. BUTTER				
3 PLC DEC ± .008		APPD 3-31-64 B. BUTTER				
ANGLES ± 0° 30'		APPD 3-31-64 T. ALEXANDER				
MATERIAL		PRODUCT SPEC		NAME		
FINISH		APPLICATION SPEC		SIZE		
WEIGHT				PECH NO		
				SCALE		
				DRAWING NO		
				449793		
				SHEET		
				1 OF 1		