

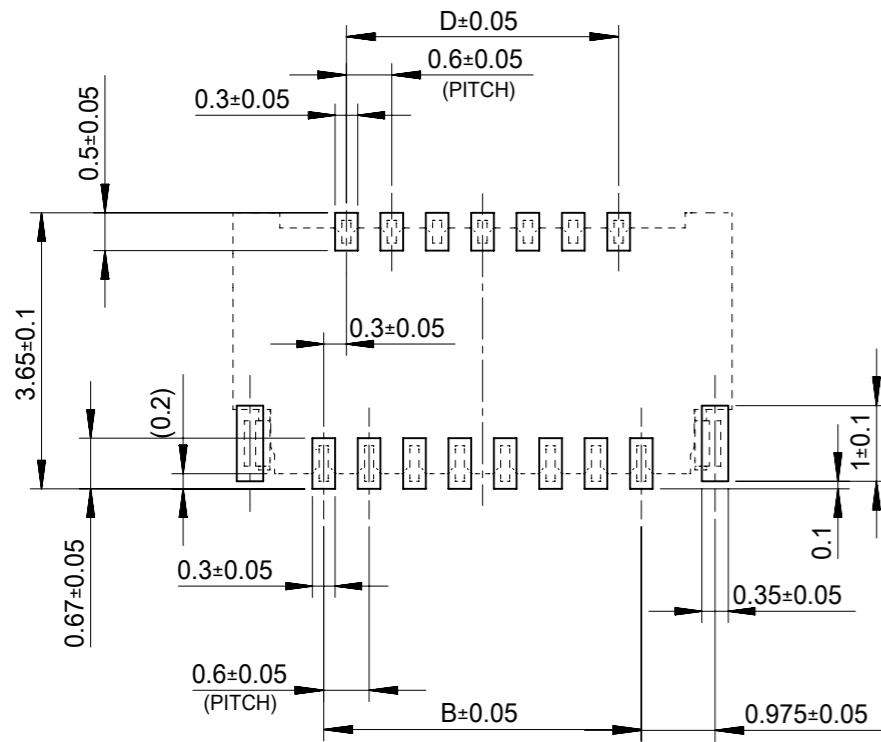
注記 NOTES:  
 1.材質 MATERIAL  
 ハウジング: LCP(液晶ポリマー)、白色、ガラス充填、UL94V-0  
 HOUSING: LIQUID CRYSTAL POLYMER, WHITE (NATURAL)  
 GLASS FILLED, UL94V-0  
 アクチュエータ: ポリアミド樹脂  
 黒色、ガラス充填、UL94HB  
 ACTUATOR: POLYAMIDE  
 BLACK GLASS FILLED, UL94HB  
 ターミナル: 燐青銅 (t=0.12)  
 TERMINAL: PHOSPHOR BRONZE (t=0.12)  
 金具: 燐青銅 (t=0.15)  
 NAIL: PHOSPHOR BRONZE (t=0.15)  
 2.めっき仕様 PLATING  
 ターミナル TERMINAL  
 接点部: 金めっき 0.1μm以上  
 CONTACT AREA: GOLD 0.1 MICROMETER MINIMUM  
 半田付け部: 金めっき  
 SOLDER TAIL AREA: GOLD  
 下地めっき: ニッケル 1.0μm以上  
 UNDER PLATING: NICKEL 1.0 MICROMETER MINIMUM  
 金具 NAIL  
 錫めっき 1.0μm以上  
 TIN PLATING 1.0 MICROMETER MINIMUM  
 下地めっき: ニッケル 1.0μm以上  
 UNDER PLATING: NICKEL 1.0 MICROMETER MINIMUM  
 3.平坦度は、0.1ミリ以下とする。  
 TAILS COPLANARITY TO BE 0.1 MAXIMUM.  
 4.ELV及びRoHS適合品  
 ELV AND RoHS COMPLIANT  
 5.本製品は502598-\*\*91の端子材料変更品である。  
 THIS PRODUCT IS CHANGE OF TERMINAL MATERIAL FOR 502598-\*\*91.

14.4	16.95	15	17.4	502598-5193	51
12.6	15.15	13.2	15.6	502598-4593	45
11.4	13.95	12.0	14.4	502598-4193	41
10.8	13.35	11.4	13.8	502598-3993	39
9	11.55	9.6	12	502598-3393	33
7.8	10.35	8.4	10.8	502598-2993	29
7.2	9.75	7.8	10.2	502598-2793	27
6.6	9.15	7.2	9.6	502598-2593	25
6	8.55	6.6	9	502598-2393	23
4.2	6.75	4.8	7.2	502598-1793	17
3.6	6.15	4.2	6.6	502598-1593	15

D	C	B	A	EMBOSSED PACKAGE	極数
				オーダー番号 ORDER NO.	CIRCUITS

CONNECTOR SERIES NO. 502598-\*\*21

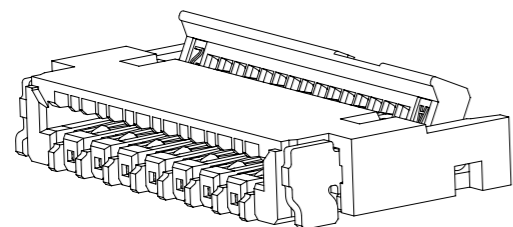
GENERAL TOLERANCES: (UNLESS SPECIFIED) 一般公差		SCALE		CURRENT REV DESC:			
10 UNDER 未満	±0.2	mm	NTS	EC NO: 704374			
10 OVER 以上	±0.25	GENERAL TOLERANCES (UNLESS SPECIFIED) ANGULAR TOL ± °		DRWN: KYHWANG 2022/04/25		0.3 FPC CONN. BACK FLIP HOUSING ASSY PRODUCT CUSTOMER DRAWING	
30 UNDER 未満	±0.25			3 PLACES ±			
30 OVER 以上	±0.3	2 PLACES ±		APPR: YNAITO 2022/05/09		DOCUMENT NUMBER	
ANGLE 角度	±1°	1 PLACE ±		INITIAL REVISION:		SD-502598-003	
		0 PLACES ±		DRWN: KMIYAHARA 2012/07/18		DOC TYPE DOC PART REVISION	
		DRAFT WHERE APPLICABLE MUST REMAIN WITHIN DIMENSIONS		APPR: KMORIKAWA 2012/08/01		PSD 001 C	
		THIRD ANGLE PROJECTION		DRAWING		MATERIAL NUMBER	
		A3-SIZE		SERIES		CUSTOMER	
				502598		GENERAL MARKET	
				SEE TABLE		SHEET NUMBER	
				1 OF 2			



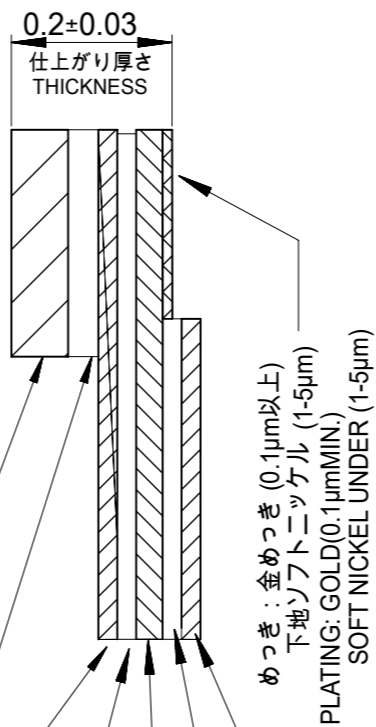
推奨基板寸法

RECOMMENDED P.W.B. PATTERN LAYOUT

マスク厚 : 100 $\mu$ m  
 マスク開口率 : 100%  
 SCREEN THICKNESS : 100 $\mu$ m  
 SCREEN OPEN RATIO : 100%



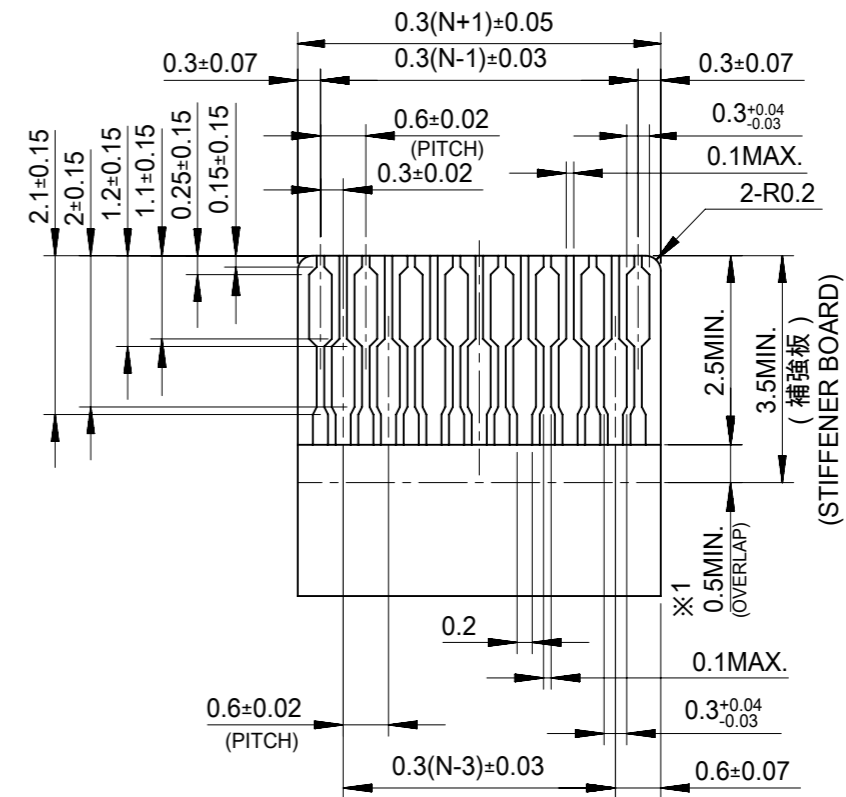
ISO VIEW (参考)



補強板 : ポリイミド  
 REINFORCE BOARD: POLYIMIDE  
 熱硬化接着剤  
 THERMOSETTING ADHESIVE  
 ベースフィルム : ポリイミド (25 $\mu$ m)  
 BASE FILM: POLYIMIDE(25 $\mu$ m)  
 熱硬化接着剤  
 THERMOSETTING ADHESIVE  
 導体部 : 銅箔 (35 $\mu$ m)  
 COPPER FOIL (35 $\mu$ m)  
 熱硬化接着剤  
 THERMOSETTING ADHESIVE  
 カバーレイ : ポリイミド (25 $\mu$ m)  
 COVER FILM: POLYIMIDE(25 $\mu$ m)

FPC構成推奨仕様

STRUCTURE OF FPC



適合する金めっきFPC推奨寸法  
 APPLICABLE FPC OF GOLD PATING  
 RECOMMENDED DIMENSION

(仕上がり厚さ :  $0.2 \pm 0.03$ )  
 (THICKNESS:  $0.2 \pm 0.03$ )

N : 極数  
 N: CIRCUITS

FPCについて :

抜き方向は、導体側から補強板側を推奨致します。  
 補強フィルム材質は、ポリイミドを推奨致します。  
 接着剤は熱硬化接着剤を推奨致します。  
 尚、接着剤の接点部への付着は導通不良の原因になりますので、  
 染み出しが無い様、お願い致します。

ABOUT FPC:

RECOMMENDED PUNCHER DIRECTION:  
 FROM CONDUCTOR SIDE TO STIFFNER FILM SIDE.  
 RECOMMENDED MATERIAL:  
 STIFFENER FILM : POLYIMIDE  
 BONDING AGENT : THERMOSETTING AGENT  
 PLEASE PUT APPROPRIATE AMOUNT OF ADHESIVE ON  
 ADHEREND BECAUSE THERE IS A POSSIBILITY THAT  
 THE EXTRA ADHESIVE CAUSES THE DEFECT IN  
 ELECTRICAL CONTINUITY.

GENERAL TOLERANCES: (UNLESS SPECIFIED) 一般公差		SCALE
		mm NTS
10 UNDER 未満	$\pm 0.2$	ANGULAR TOL $\pm$ °
10 OVER 以上 30 UNDER 未満	$\pm 0.25$	
30 OVER 以上	$\pm 0.3$	
ANGLE 角度	$\pm 1^\circ$	

THIS DRAWING CONTAINS INFORMATION THAT IS PROPRIETARY TO MOLEX ELECTRONIC TECHNOLOGIES, LLC AND SHOULD NOT BE USED WITHOUT WRITTEN PERMISSION

DIMENSION UNITS: mm SCALE: NTS

CURRENT REV DESC:

EC NO: 704374  
 DRWN: KYHWANG 2022/04/25  
 CHK'D: SMARUYAMA 2022/05/09  
 APPR: YNAITO 2022/05/09

INITIAL REVISION:  
 DRWN: KMIYAHARA 2012/07/18  
 APPR: KMORIKAWA 2012/08/01

DRAFT WHERE APPLICABLE MUST REMAIN WITHIN DIMENSIONS

THIRD ANGLE PROJECTION

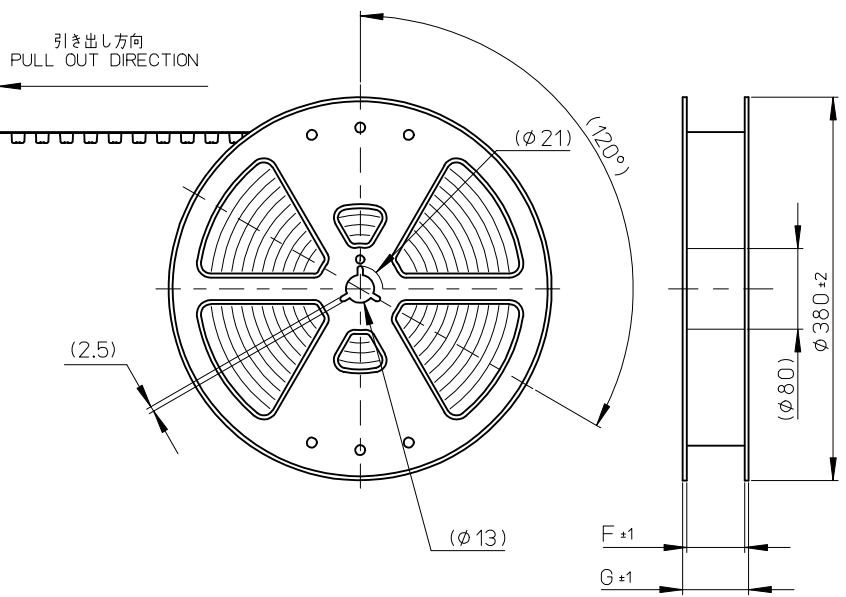
DRAWING: A3-SIZE SERIES: 502598 MATERIAL NUMBER: SEE SHEET 1 CUSTOMER: GENERAL MARKET SHEET NUMBER: 2 OF 2

**molex**

0.3 FPC CONN. BACK FLIP HOUSING ASSY

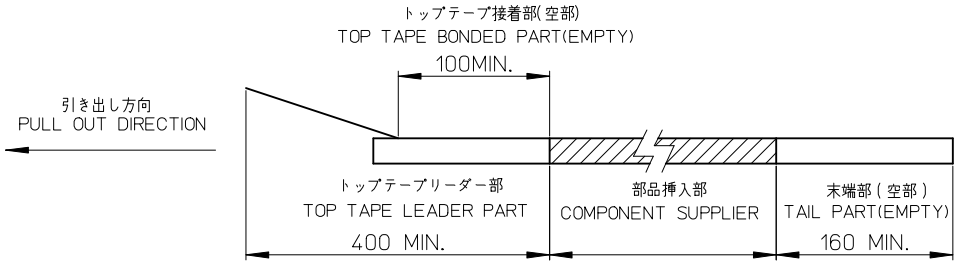
PRODUCT CUSTOMER DRAWING

DOCUMENT NUMBER: SD-502598-003 DOC TYPE: PSD DOC PART: 001 REVISION: C



注記)  
NOTES

1. 製品番号502598-\*\*-21の詳細寸法は、製品単体図面を参照下さい。  
IN THE PACKAGE PART NUMBER 502598-\*\*-21 DETAIL DIMENSIONS, SEE SALES DRAWING FOR CONNECTOR.
2. 梱包数量: 3000個/リール  
NUMBER OF CONNECTORS : 3000 PCS/REEL
3. リードテープ長さ  
LEAD TAPE LENGTH



4. カバーテープの剥離強度については、IEC60286-3に準拠  
COVER TAPE PEEL FORCE IS DEFINED BY IEC 60286-3.
5. 材料  
MATERIAL  
キャリアテープ: ポリスチレン (PS)  
CARRIER TAPE: POLYSTYRENE (PS)  
トップテープ: ポリエチレンテレフタレート (PET)、他  
TOP TAPE : POLYETHYLENE TELEPHTHALATE (PET), OTHERS  
リール: ポリスチレン (PS)  
REEL: POLYSTYRENE (PS)

6. ELV及RoHS適合品  
ELV AND RoHS COMPLIANT
7. 本製品は502598-\*\*-91の端子材料変更品である。  
THIS PRODUCT IS CHANGE OF TERMINAL MATERIAL FOR 502598-\*\*-91.

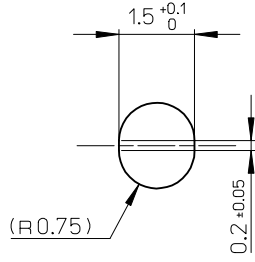
REVISED EC NO: J2014-0146 DRWN: KAGUMO 2013/07/25 CHKD: TAKAHASHI 2013/08/30 APPR: YNOGAWA 2013/08/28	GENERAL TOLERANCES (UNLESS SPECIFIED)		DIMENSION STYLE MM ONLY		SCALE ---	DESIGN UNITS METRIC	THIRD ANGLE PROJECTION	
	10 UNDER	± ---	DRAWN BY KMIYAHARA	DATE 2012/07/18	TITLE 0.3 FPC CONN. BACK FLIP TAPING PACKAGE (502598-**-21 SERIES) <b>molex</b> DOCUMENT NO. SD-502598-004 SHEET NO. 1 OF 2			
	10 OVER 30 UNDER	± ---	CHECKED BY KTAKAHASHI	DATE 2012/07/18				
	30 OVER	± ---	APPROVED BY KMORIKAWA	DATE 2012/08/01				
ANGULAR ±1 °		MATERIAL NO.		SEE TABLE				
DRAFT WHERE APPLICABLE MUST REMAIN WITHIN DIMENSIONS		SIZE A3		THIS DRAWING CONTAINS INFORMATION THAT IS PROPRIETARY TO MOLEX INCORPORATED AND SHOULD NOT BE USED WITHOUT WRITTEN PERMISSION				

10 9 8 7 6 5 4 3 2 1

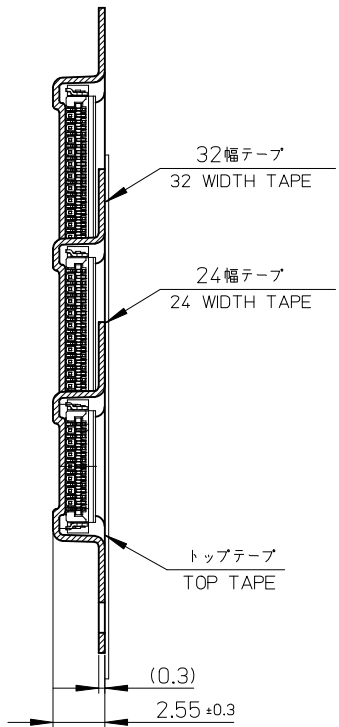
引き出し方向  
PULL OUT DIRECTION

Y  
8 ± 0.1  
(PITCH)  
(2.43)  
(4.34)  
(3.61)

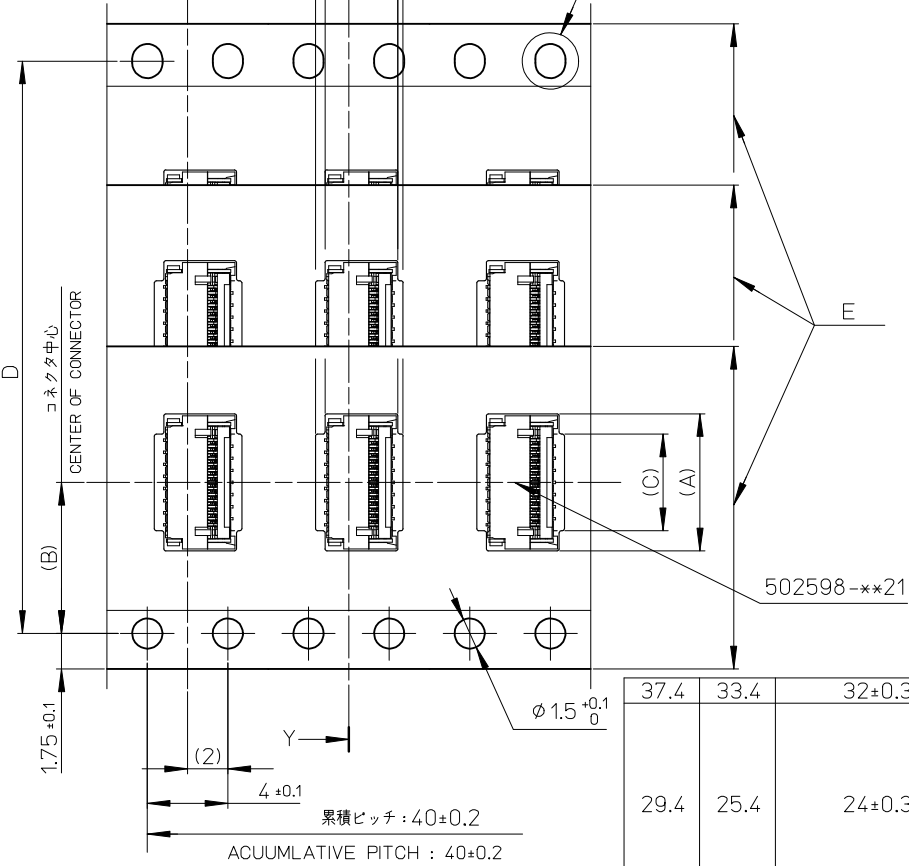
T



T部詳細  
DETAIL T



断面 Y-Y  
SECTION Y-Y



502598-\*\*-21

37.4	33.4	32 ± 0.3	28.4	15.7	14.2	17.6	502598-5193	51
29.4	25.4	24 ± 0.3	+-	13.9	11.5	15.8	502598-4593	45
				12.7		14.6	502598-4193	41
				12.1		14	502598-3993	39
				10.3		12.2	502598-3393	33
				9.1		11	502598-2993	29
				8.5		10.4	502598-2793	27
				7.9		9.8	502598-2593	25
21.4	17.4	16 ± 0.3	+-	7.3	7.5	9.2	502598-2393	23
				5.5		7.4	502598-1793	17
G	F	E キャリアテープ幅 EMBOSSED TAPE WIDTH	D	4.9	7.5	6.8	502598-1593	15
				製品番号 MATERIAL NO.		極数 CIRCUITS		

REVISED EC NO: J2014-0146 DRWN: KAGUMO 2013/07/25 CHKD: TAKAHASHI 2013/08/30 APPR: YNOGAWA 2013/08/28	DESCRIPTION	GENERAL TOLERANCES (UNLESS SPECIFIED)		DIMENSION STYLE MM ONLY		SCALE ---	DESIGN UNITS METRIC	THIRD ANGLE PROJECTION	
		10 UNDER	± ---	DRAWN BY KMIYAHARA	DATE 2012/07/18	TITLE 0.3 FPC CONN. BACK FLIP TAPING PACKAGE (502598-**-21 SERIES)			
		10 OVER 30 UNDER	± ---	CHECKED BY KTAKAHASHI	DATE 2012/07/18				
		30 OVER	± ---	APPROVED BY KMORIKAWA	DATE 2012/08/01				
REV	DESCRIPTION	ANGULAR ± 1 °	DRAFT WHERE APPLICABLE MUST REMAIN WITHIN DIMENSIONS	MATERIAL NO.	SEE TABLE	DOCUMENT NO. SD-502598-004	SHEET NO. 2 OF 2		

9 8 7 6 5 4 3 2