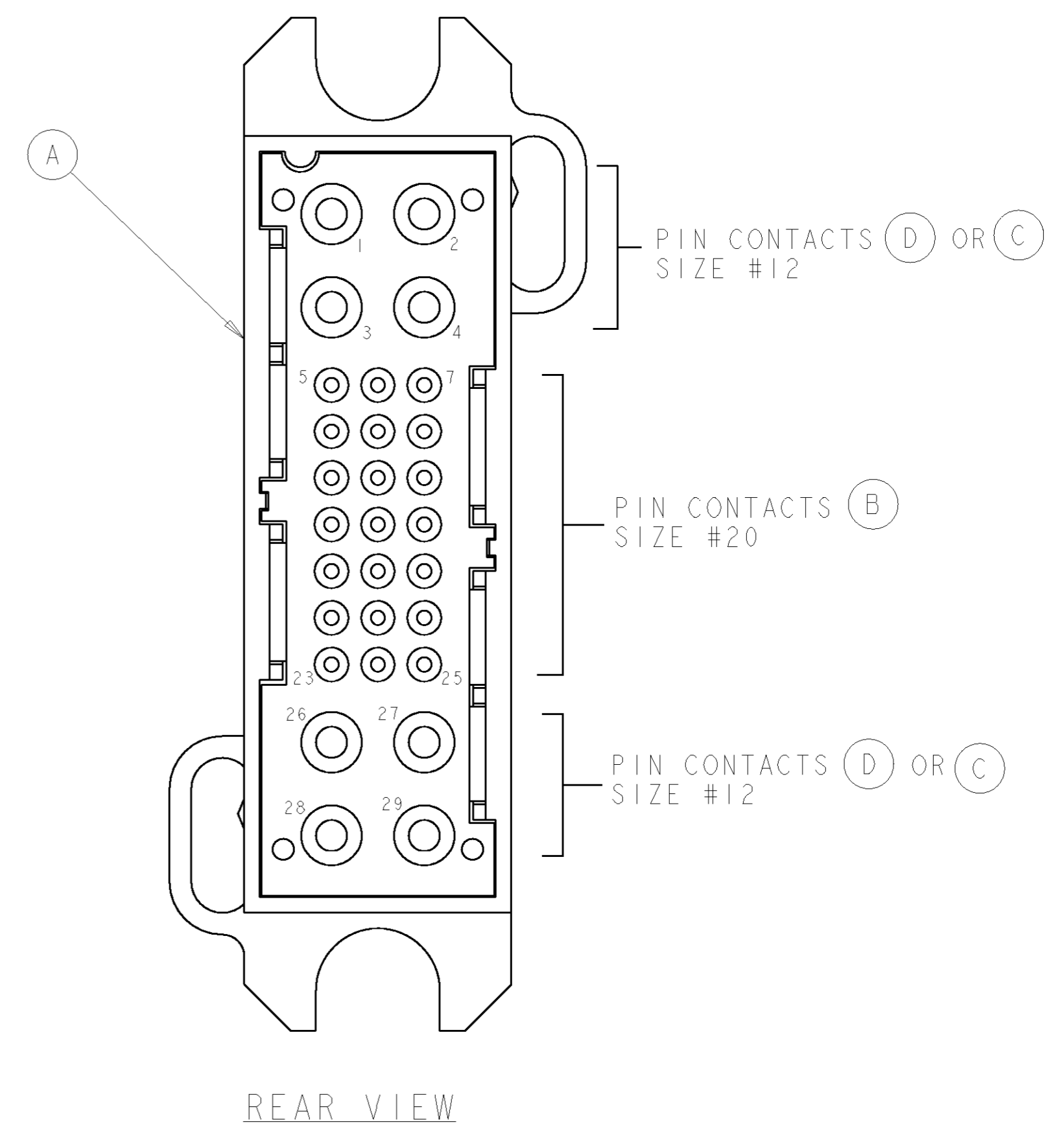
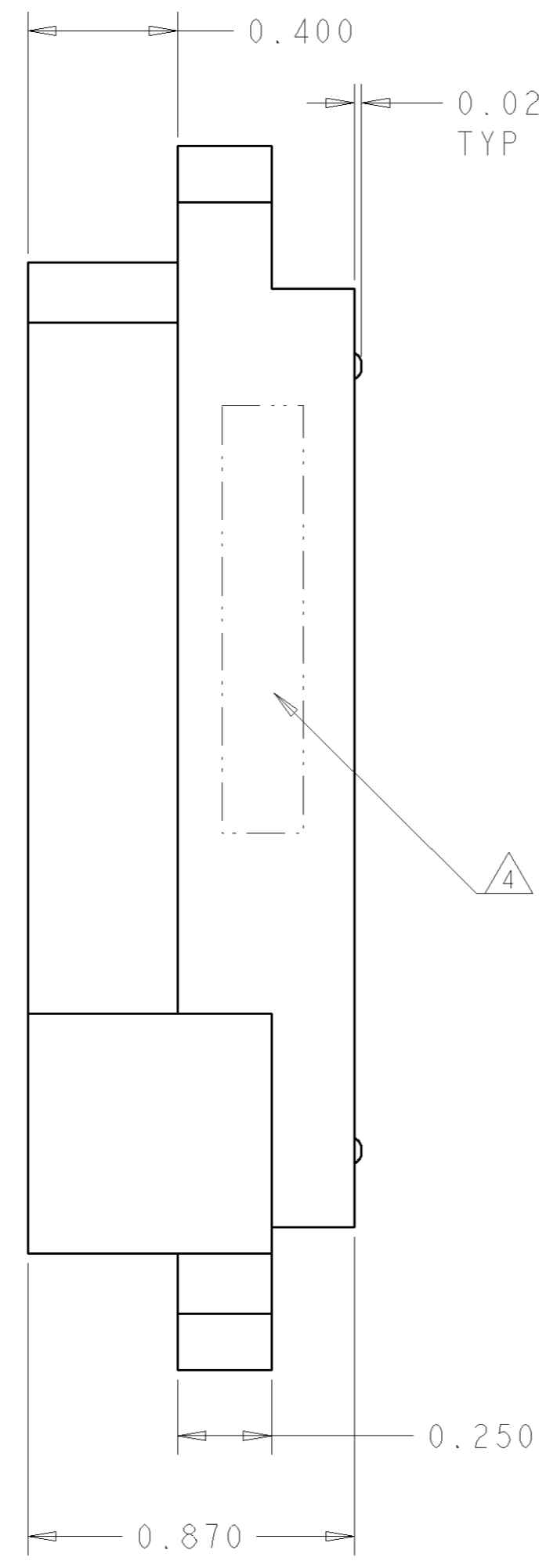
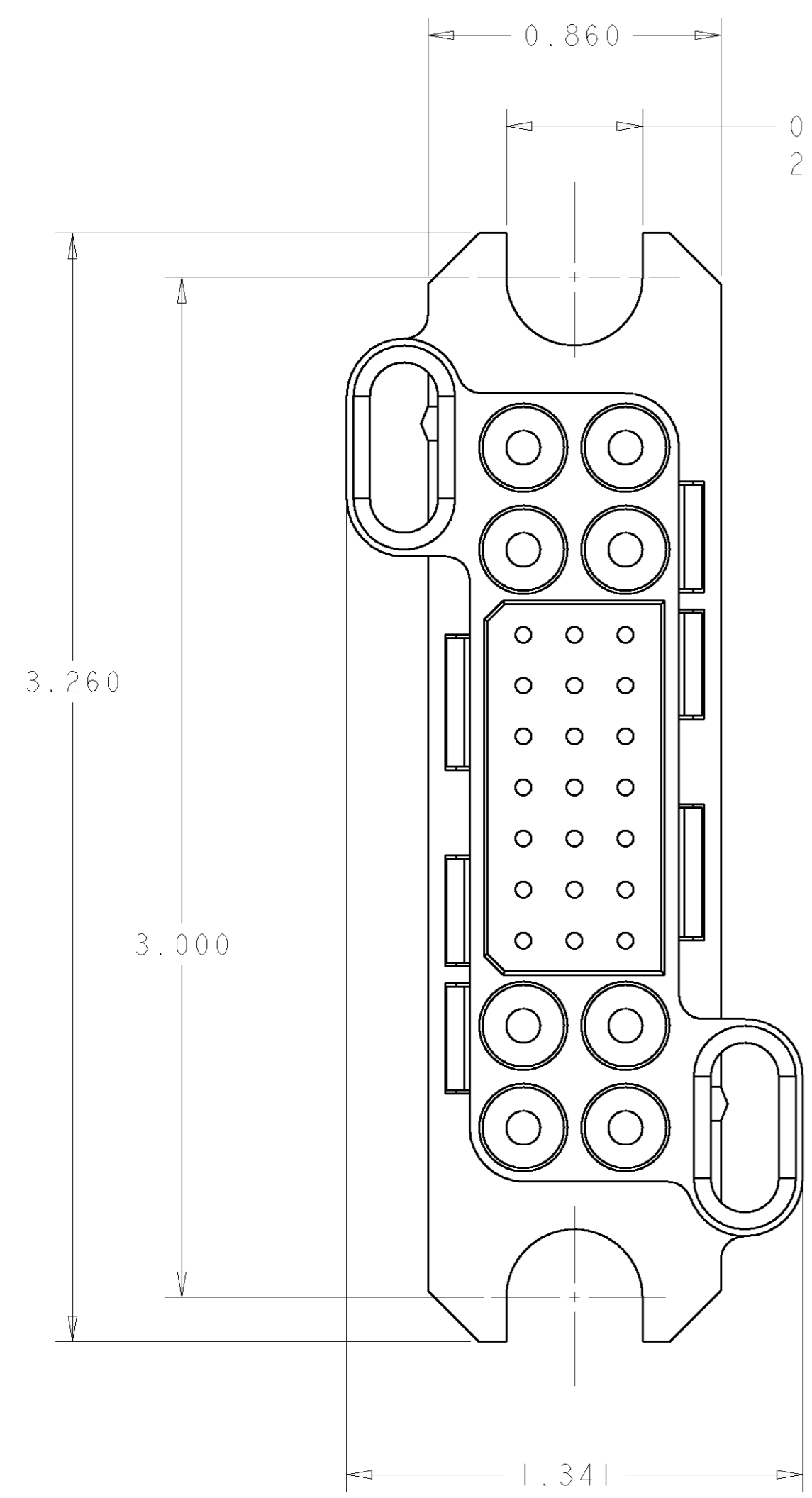


THIS DRAWING IS UNPUBLISHED. RELEASED FOR PUBLICATION 20
 © COPYRIGHT 20 BY TYCO ELECTRONICS CORPORATION. ALL RIGHTS RESERVED.

| LOC | DIST | REVISIONS | | | | | |
|-----|------|-----------|-----|-------------|-----------|-----|------|
| GP | 00 | P | LTR | DESCRIPTION | DATE | DWN | APVD |
| | | | A | RELEASED | 24JUL2006 | RG | SF |



ELCON LOWER DRAWER

| | |
|-------------|-------------|
| AS SHOWN | 1926159-1 |
| DESCRIPTION | PART NUMBER |

| | | | |
|--|--|--|---|
| <small>THIS DRAWING IS A CONTROLLED DOCUMENT FOR TYCO ELECTRONICS CORPORATION. IT IS SUBJECT TO CHANGE AND THE CONTROLLING ENGINEERING ORGANIZATION SHOULD BE CONTACTED FOR THE LATEST REVISION.</small> | | DWN R. GRZYBOWSKI 15 JUN 06 CHK S. FLICKINGER 15 JUN 06 APVD S. FLICKINGER 15 JUN 06 | tyco Tyco Electronics Electronics Harrisburg, PA 17105-3608 |
| DIMENSIONS: INCHES | TOLERANCES UNLESS OTHERWISE SPECIFIED: 0 PLC ± 1 PLC ± 2 PLC ±.02 3 PLC ±.010 4 PLC ± ANGLES ±.5 FINISH | PRODUCT SPEC - APPLICATION SPEC - WEIGHT - CUSTOMER DRAWING | NAME CONNECTOR ASSEMBLY PIN LOWER DRAWER SIZE CAGE CODE DRAWING NO RESTRICTED TO A200779G-1926159 - |
| | | SCALE 3:1 | SHEET 1 OF 2 REV A |

