

3-1546158-1 ✓ ACTIVE

Buchanan | Buchanan 6 Series

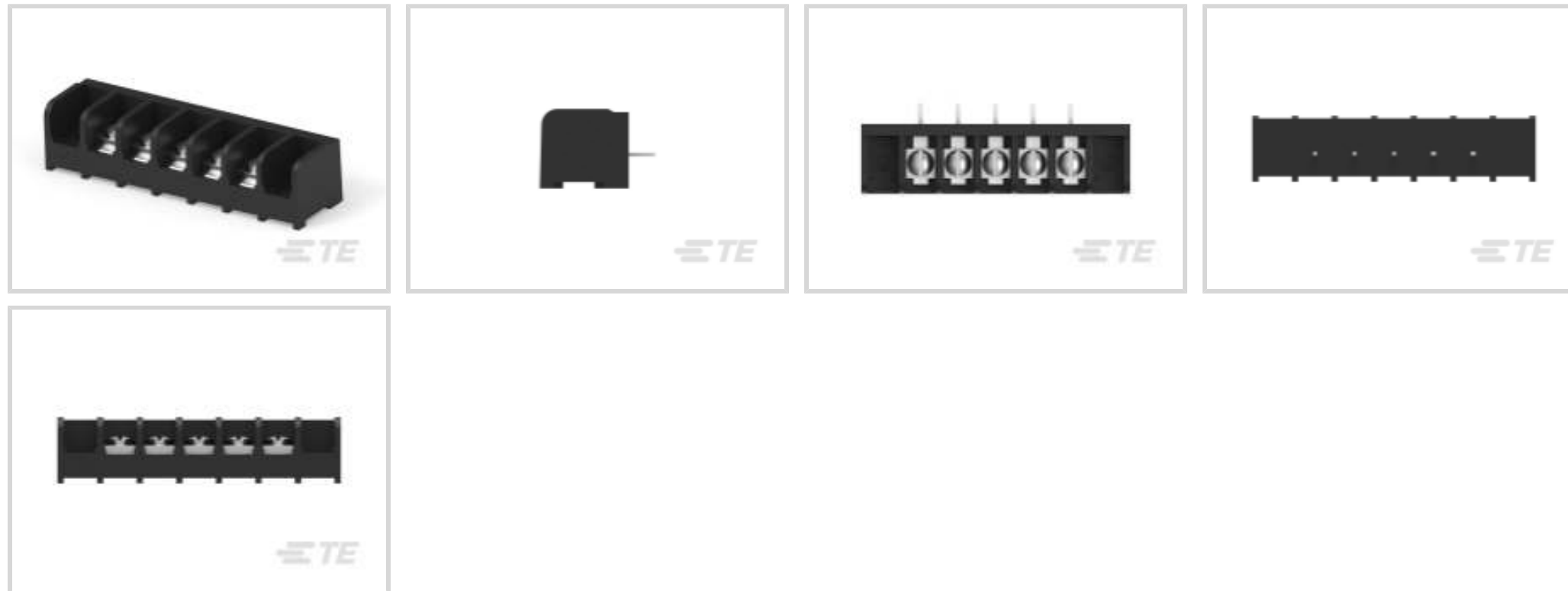
TE Internal #: 3-1546158-1

Barrier Strips, Tri-Barrier, Printed Circuit Pin, Wire-to-Board, 5 Position, 9.53 mm [.375 in] Centerline, 1 Row, Buchanan 6 Series

[View on TE.com >](#)



Connectors > Terminal Blocks & Strips > Barrier Strips



Barrier Strip Style: **Tri-Barrier**

Bottom Termination Type: **Printed Circuit Pin**

Connector System: **Wire-to-Board**

Number of Positions: **5**

Centerline (Pitch): **9.53 mm [.375 in]**

## Features

### Product Type Features

Block Style	Flat Bottom
Connector System	Wire-to-Board
Connector & Contact Terminates To	Printed Circuit Board

### Configuration Features

Number of Levels	1
Number of Positions	5
Number of Rows	1

### Electrical Characteristics

Operating Voltage	300 V
-------------------	-------

### Body Features

Primary Product Color	Black
Product Orientation	Right Angle
Barrier Strip Style	Tri-Barrier

### Contact Features



PCB Contact Termination Area Plating Material	Tin
Contact Base Material	Copper Alloy
Contact Current Rating (Max)	25 A

#### Termination Features

Bottom Termination Type	Printed Circuit Pin
-------------------------	---------------------

#### Mechanical Attachment

Screw Head Type	Combo Phil-Slot
Screw Plating Material	Zinc Chromate
Screw Material	Steel
Top Termination Type	Wire Clamp Combo Head
Mounting Options	6-32 Mounting Threads
Thread Size	6-32
Connector Mounting Type	Board Mount

#### Housing Features

Housing Material	Thermoplastic
Centerline (Pitch)	9.53 mm [.375 in]

#### Dimensions

Product Length	68.22 mm [2.686 in]
Wire Size	.3 – 3 mm <sup>2</sup>

#### Usage Conditions

Operating Temperature Range	0 – 105 °C [0 – 221 °F]
-----------------------------	-------------------------

#### Operation/Application

Circuit Application	Power
---------------------	-------

#### Industry Standards

UL Flammability Rating	UL 94V-0
------------------------	----------

#### Packaging Features

Packaging Quantity	80
Packaging Method	Package

#### Other

Terminal Blocks & Strips Comment	Do not order screw and captive clamp in combination with other top hardware.
----------------------------------	--

## Product Compliance

[For compliance documentation, visit the product page on TE.com>](#)

EU RoHS Directive 2011/65/EU	Compliant
EU ELV Directive 2000/53/EC	Compliant
China RoHS 2 Directive MIIT Order No 32, 2016	No Restricted Materials Above Threshold
EU REACH Regulation (EC) No. 1907/2006	Current ECHA Candidate List: JUNE 2023 (235) Candidate List Declared Against: JUNE 2022 (224) Does not contain REACH SVHC
Halogen Content	Low Halogen - Br, Cl, F, I < 900 ppm per homogenous material. Also BFR/CFR/PVC Free
Solder Process Capability	Wave solder capable to 265°C

### Product Compliance Disclaimer

This information is provided based on reasonable inquiry of our suppliers and represents our current actual knowledge based on the information they provided. This information is subject to change. The part numbers that TE has identified as EU RoHS compliant have a maximum concentration of 0.1% by weight in homogenous materials for lead, hexavalent chromium, mercury, PBB, PBDE, DBP, BBP, DEHP, DIBP, and 0.01% for cadmium, or qualify for an exemption to these limits as defined in the Annexes of Directive 2011/65/EU (RoHS2). Finished electrical and electronic equipment products will be CE marked as required by Directive 2011/65/EU. Components may not be CE marked. Additionally, the part numbers that TE has identified as EU ELV compliant have a maximum concentration of 0.1% by weight in homogenous materials for lead, hexavalent chromium, and mercury, and 0.01% for cadmium, or qualify for an exemption to these limits as defined in the Annexes of Directive 2000/53/EC (ELV). Regarding the REACH Regulation, the information TE provides on SVHC in articles for this part number is based on the latest European Chemicals Agency (ECHA) 'Guidance on requirements for substances in articles' posted at this URL: <https://echa.europa.eu/guidance-documents/guidance-on-reach>

## Compatible Parts

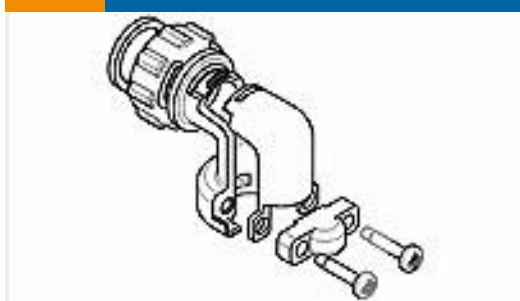


Also in the Series | [Buchanan 6 Series](#)



Barrier Strips(258)

### Customers Also Bought



TE Part #1546348-2  
R/A CABLE CLAMP KIT,SZ 13,CPC



TE Part #1676814-7  
HSA5 240R 1%



TE Part #6-102617-1  
26 MODII HDR DRRA SHRD LF



TE Part #5103308-3  
A/L LOW PRO HDR 16P VERT BLACK



TE Part #1-640445-3  
13P MTA156 HDR ASSY FL/STR SN



TE Part #322447  
TERMINAL,SOLIS R 12-10 4



TE Part #350831-1  
02P UMNL HDR ASSY PC 94VO



TE Part #9-146253-0  
80 MODII HDR DRST B/A .100CL L



TE Part #4525-DS3A001DP  
1PSI DP PRESSURE SENSOR 10% TO 90%



TE Part #NB14032001  
TAT-125-3/16-0-STK

### Documents

#### Product Drawings

[6PCR-05-008=6 SERIES ASSEMBLY](#)

English

#### CAD Files

Customer View Model

[ENG\\_CVM\\_CVM\\_3-1546158-1\\_H.3d\\_stp.zip](#)

English

Customer View Model

3-1546158-1

Barrier Strips, Tri-Barrier, Printed Circuit Pin, Wire-to-Board, 5 Position, 9.53 mm [.375 in] Centerline, 1 Row, Buchanan 6 Series



[ENG\\_CVM\\_CVM\\_3-1546158-1\\_H.2d\\_dxf.zip](#)

English

[3D PDF](#)

3D

Customer View Model

[ENG\\_CVM\\_CVM\\_3-1546158-1\\_H.3d\\_igs.zip](#)

English

By downloading the CAD file I accept and agree to the [Terms and Conditions](#) of use.

### Datasheets & Catalog Pages

[1-1773458-2\\_BARRIER\\_STRIPS\\_QUICK\\_REFERENCE\\_GUIDE](#)

English