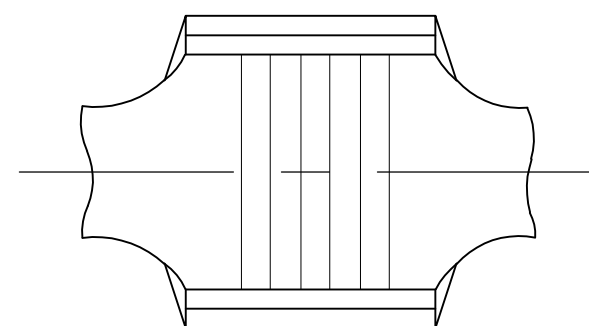
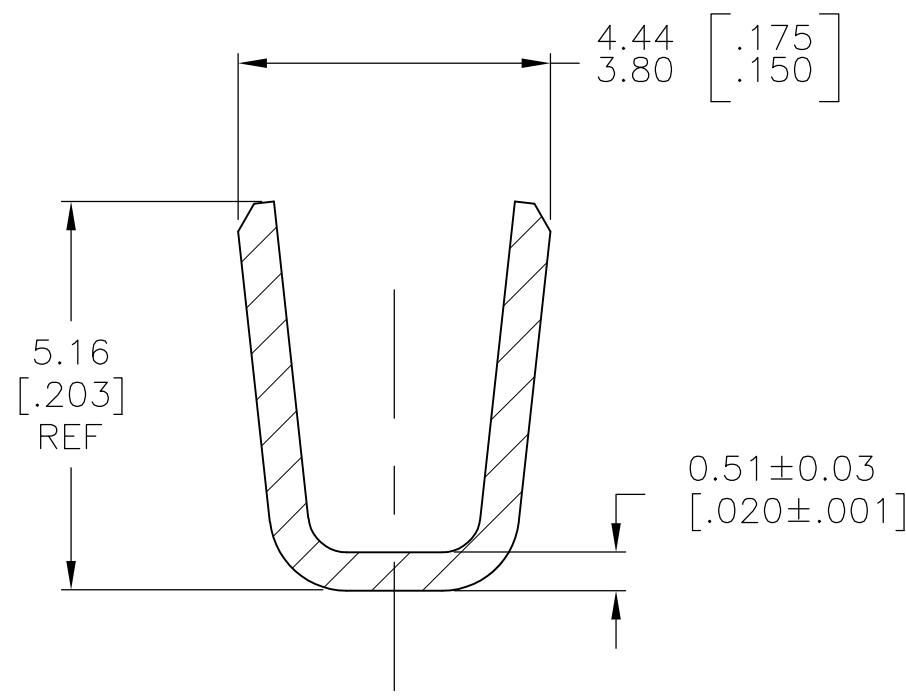
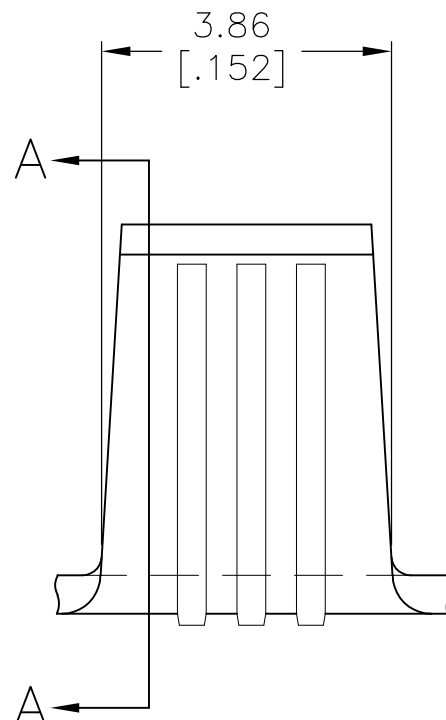


THIS DRAWING IS UNPUBLISHED. RELEASED FOR PUBLICATION
 © COPYRIGHT BY TYCO ELECTRONICS CORPORATION. ALL RIGHTS RESERVED.

LOC	DIST	REVISIONS					
AF	50	P	LTR	DESCRIPTION	DATE	DWN	APVD
			P6	REVISED PER ECR-07-028917	04DEC07	HMR	GP



- 1 PRODUCT PROVIDED IN STRIP FORM ON REELS; BREAKS MAY BE PRESENT.
- 2 WIRE RANGE: 3300 TO 9000 CMA
- 3 CRIMP WIDTH: .140 F TYPE
 CRIMP HEIGHT $(\pm 0.002) = (\text{TOTAL CMA} + 14,600) / 223,200$
 FOR APPLICATOR INFORMATION CALL: 1-800-722-1111
 FOR PRODUCT INFORMATION CALL: 1-800-522-6752



SECTION A-A

CU-NI-SI C70260	40509-1
BRASS C26000	40509
MATERIAL	PART NO

THIS DRAWING IS A CONTROLLED DOCUMENT.		DWN RAGHAVENDRA 21DEC06	Tyco Electronics Corporation Harrisburg, PA 17105-3608	
DIMENSIONS: mm [INCHES]	TOLERANCES UNLESS OTHERWISE SPECIFIED:	CHK G.D.PORTA 04JAN07	NAME	
	0 PLC ± -	APVD G.D.PORTA 04JAN07	PRODUCT SPEC	
	1 PLC ± -		APPLICATION SPEC	
	2 PLC ± -		SIZE	CAGE CODE
	3 PLC ± 0.25 [.010]		A3	00779
	4 PLC ± -		DRAWING NO	C-40509
	ANGLES ± -		RESTRICTED TO	
MATERIAL SEE TABLE	FINISH NONE	WEIGHT -	SCALE 10:1 SHEET 1 OF 1 REV P6	
CUSTOMER DRAWING				