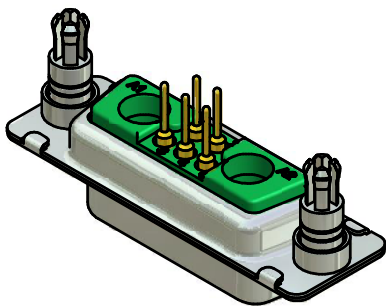
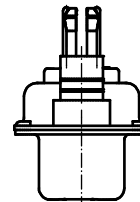
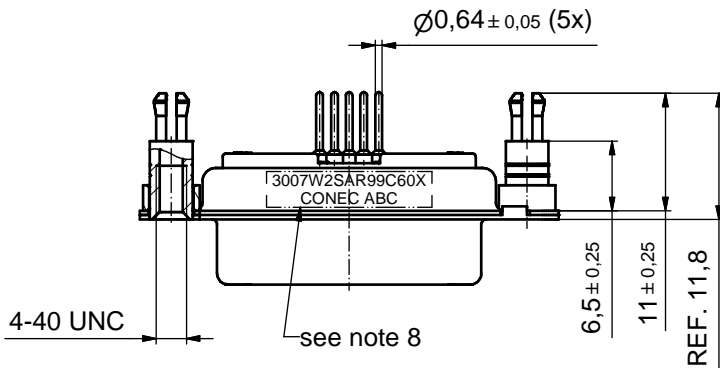
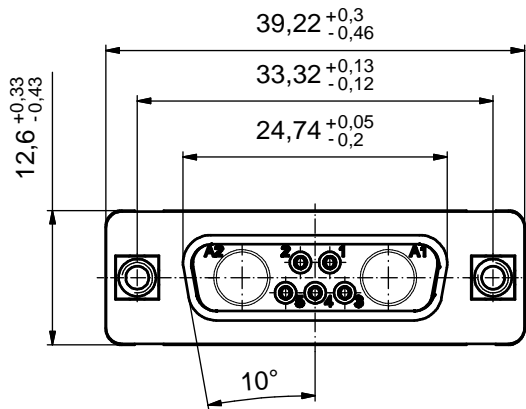
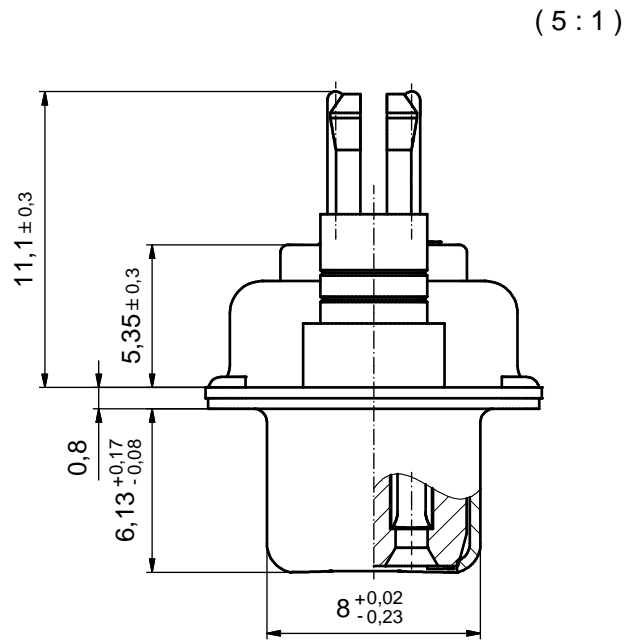


P.C.B. HOLE DRILLINGS  
(PCB TOP SIDE)



Directive 2002/95/EC  
RoHS  
Compliant

NOTES:

- METALSHELLS: STEEL; min. 315µm TIN over 40-80µm NICKEL
- INSULATORS: PBT GF UL 94 V-0, GREEN
- SIGNAL CONTACTS: COPPER ALLOY  
PLATING: 8µm HARD GOLD over min. 50µm NICKEL
- NO CONTACTS ON POS. A1 + A2
- THREADED SPACER CLIPS: COPPER ALLOY; min. 200µm TIN over 80µm NICKEL  
PCB-HOLE: ø3,1 ± 0,1mm; PCB-THICKNESS: 3,2mm
- COLLARS: COPPER ALLOY; min. 200µm TIN over 80µm NICKEL
- MAXIMUM TORQUE VALUE FOR THREAD: 6 in.LB
- CONNECTOR IS PART MARKED: 3007W2SAR99C60X CONEC ABC

APPROVAL # FREIGABE # DEBLOCAGE # AUTORIZACION # APPROVAL

CUSTOMER APPROVAL DATE:

NAME: TITLE:

COMPANY NAME:

APPROVAL # FREIGABE # DEBLOCAGE # AUTORIZACION # APPROVAL

THIS DRAWING MAY NOT BE COPIED OR REPRODUCED IN ANY WAY AND MAY NOT BE PASSED ON TO A THIRD PARTY WITHOUT WRITTEN PERMISSION. OWNERSHIP AND COPYRIGHT OF CONEC GmbH

DO NOT ALTER CAD DRAWING BY HAND

rev.	description	date	name
a	Origin		

tolerance	dim. in mm	scale:	2:1 (5:1)
		material:	see notes
date	name	title:	
drawn 03.05.2010	Henneboel	D-SUB COMBINATION FEMALE	
appd. 03.05.2010	Koch	7W2S	
norm		with threaded spacer clip	
d-old		dwg no:	Inventor 10
			DIN-A3
			sh: 1
		part no:	13K1A3194
			3007W2SAR99C60X

**CONEC**