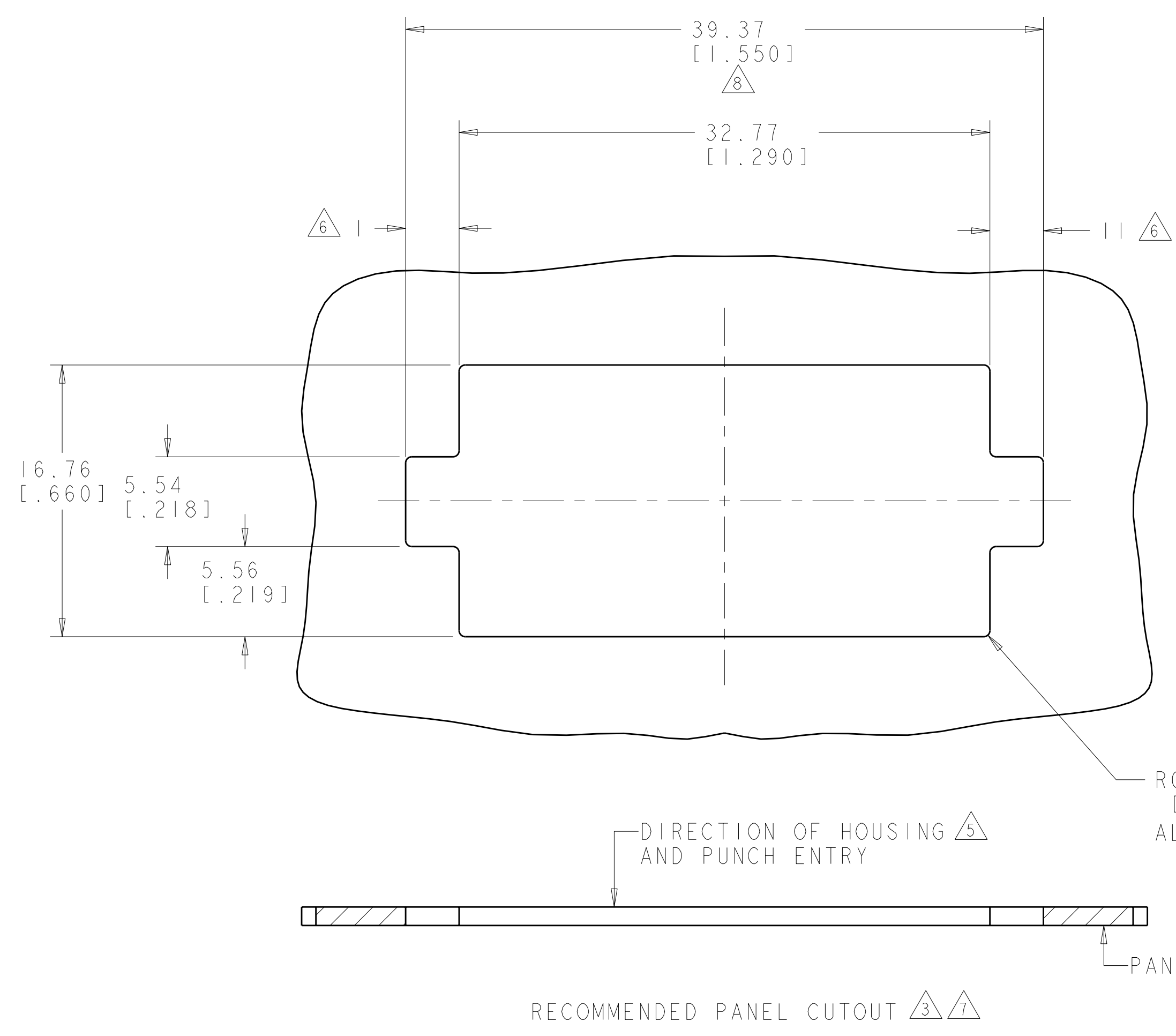
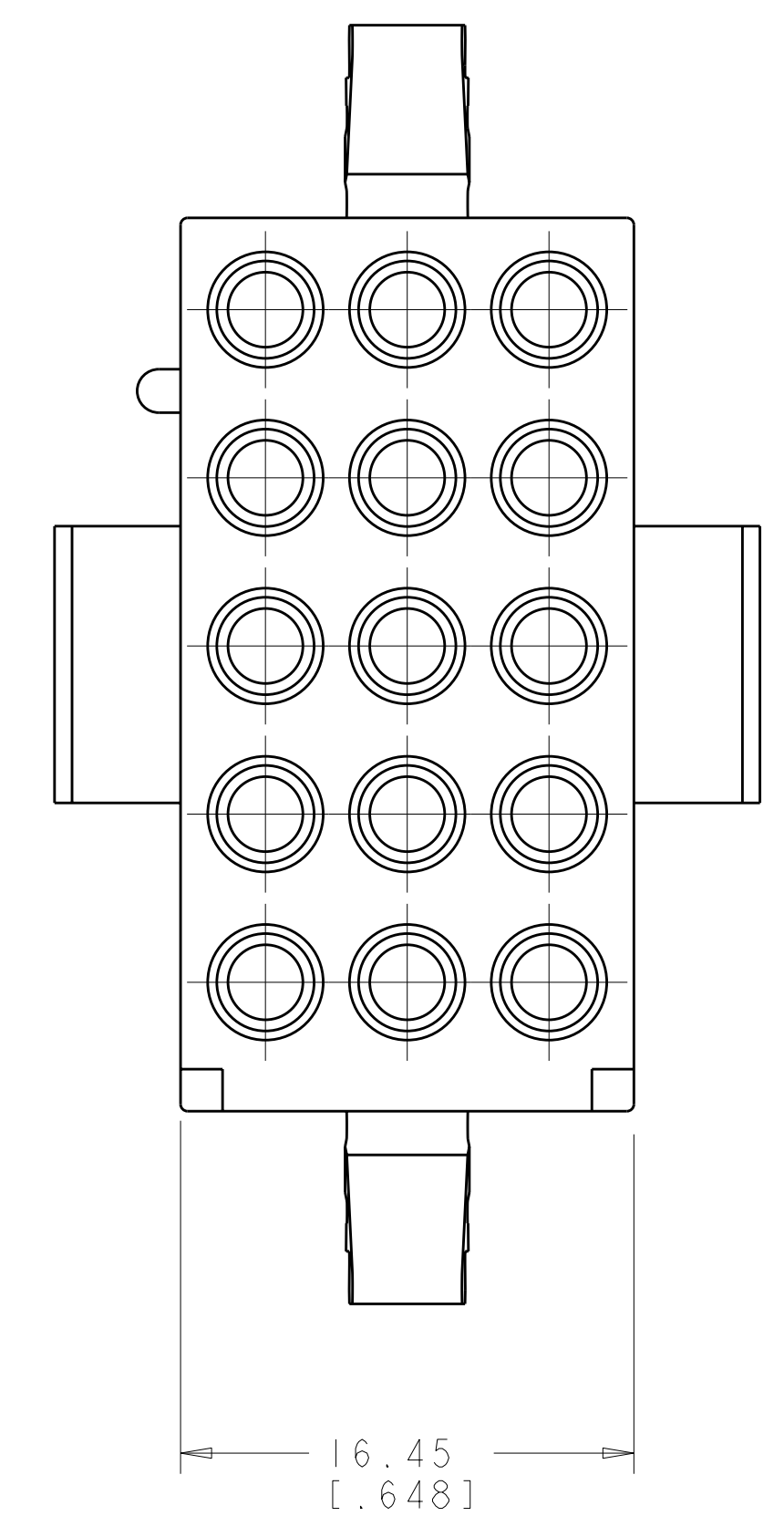
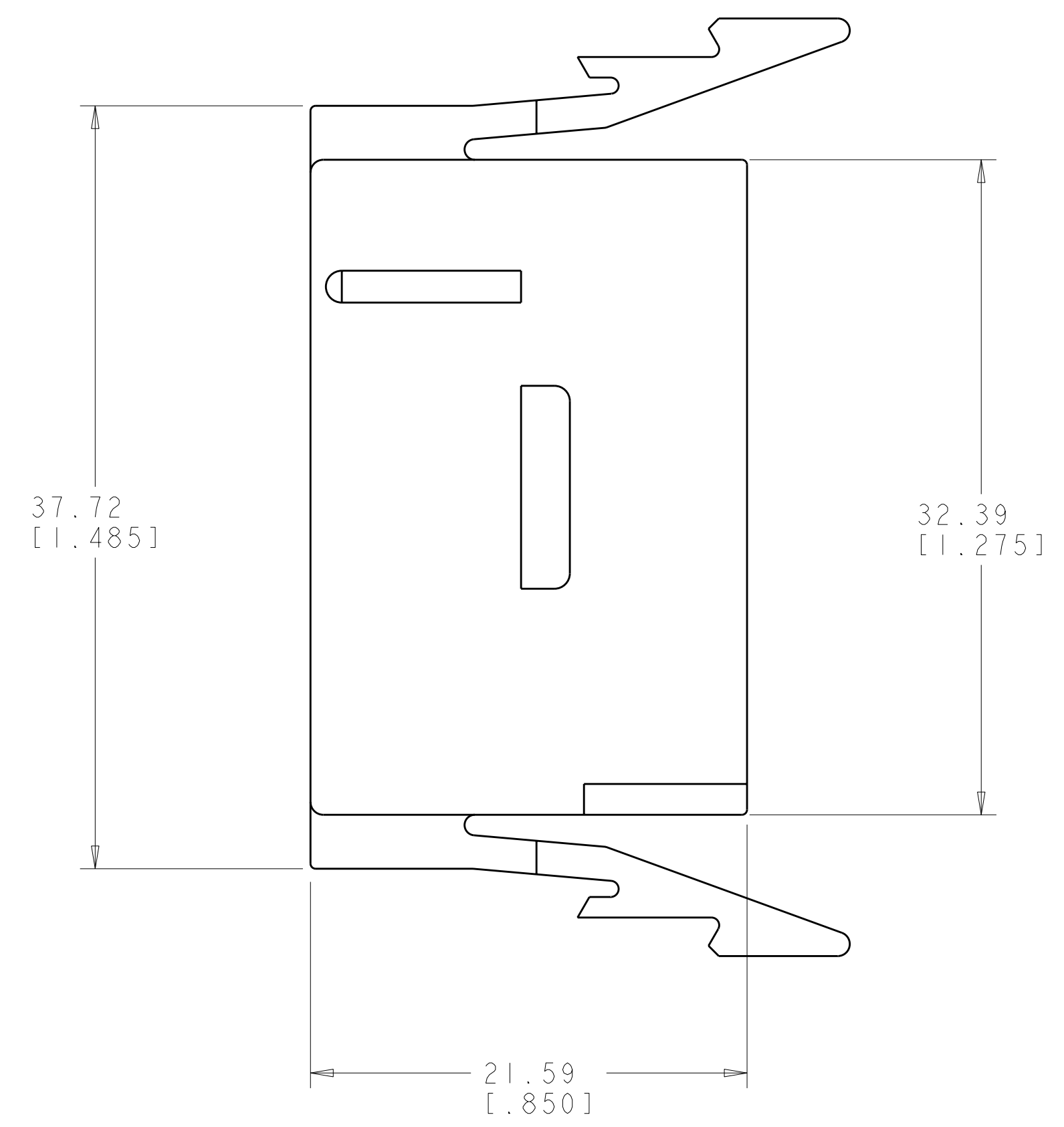
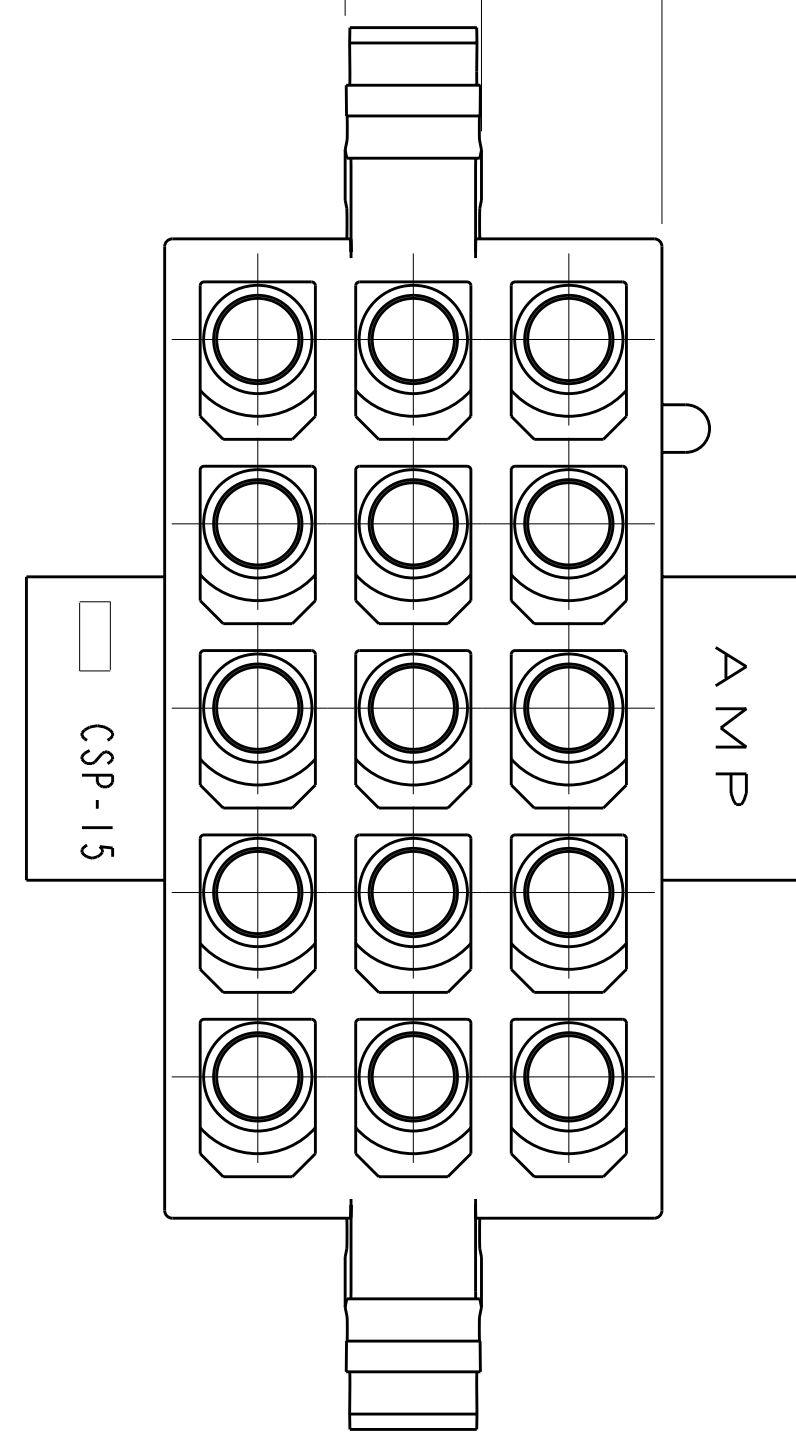


LOC	DIST	REV	DATE	DWN	APVD
CM	00	V	25FEB2008	KW	CC

- TO BE USED WITH COMMERCIAL MATE-N-LOK™ SOCKETS.
- THIS PLUG TO BE USED WITH CAP 480324.
- RECOMMENDED PANEL THICKNESS 0.64-1.65 [0.025-.065].
- BOTH LOCKING LEGS TO BE SQUEEZED TOGETHER AND HOUSING TO BE INSERTED STRAIGHT IN AS OPPOSED TO A ROCKING MANNER.
- PANEL MUST BE PUNCHED SO THAT THE HOUSING ENTERS IN THE SAME DIRECTION AS THE PUNCH.
- DIMENSIONS I & II TO BE EQUAL WITHIN 0.13 [0.005].
- PANEL MUST NOT HAVE ANY MATERIAL (PAINT, PORCELAIN, ETC.) APPLIED IN THE MOUNTING HOLE AREA THAT WOULD DECREASE RETENTION OF THE HOUSING IN THE PANEL.
- IF NOTES 3 AND/OR 5 ARE NOT COMPLIED WITH THE 39.37 [1.550] DIMENSION SHOULD BE REDUCED TO 38.86 [1.530] TO ASSURE PROPER HOUSING RETENTION IN THE PANEL.

4.45-4.57
[.175-.180]

5.97
[.235]



0.453 IN ³	1-480323-0
VOLUME	PART NUMBER

DIMENSIONS: mm [INCHES]		TOLERANCES UNLESS OTHERWISE SPECIFIED: 9 PLC ± 1 PLC ± 2 PLC ±0.13 [0.005] 3 PLC ± 4 PLC ± 5 PLC ±		DWN R. WHITAKER 25FEB2008 CHK C. CASH 25FEB2008 APVD C. CASH 25FEB2008	
FINISH:		ANGLE: 40° 30'		NAME: PLUG, 15 CIRCUIT, PANEL MOUNT, MATE-N-LOK (TM)	
MATERIAL:		WEIGHT:		SIZE: A 00779 C=480323	
CUSTOMER DRAWING		SCALE: 4:1		SHEET 1 OF 1 REV V	