

CPA TO BE INSTALLED IN PRE-LOCK POSITION AS SHOWN IN BOTH VIEWS. SEE NOTE #5

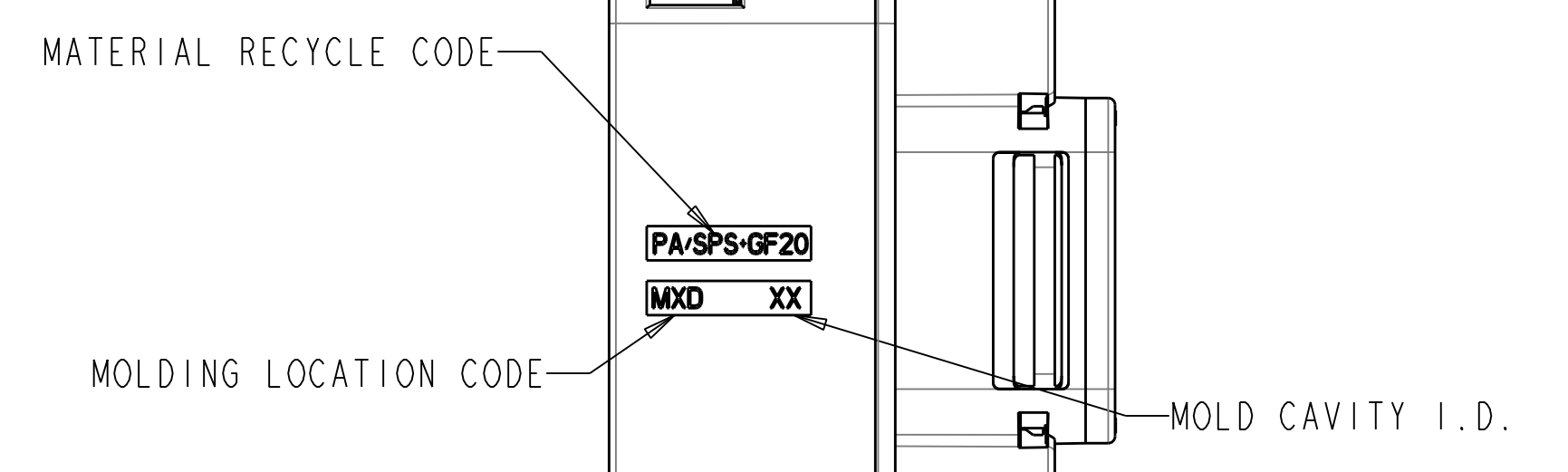
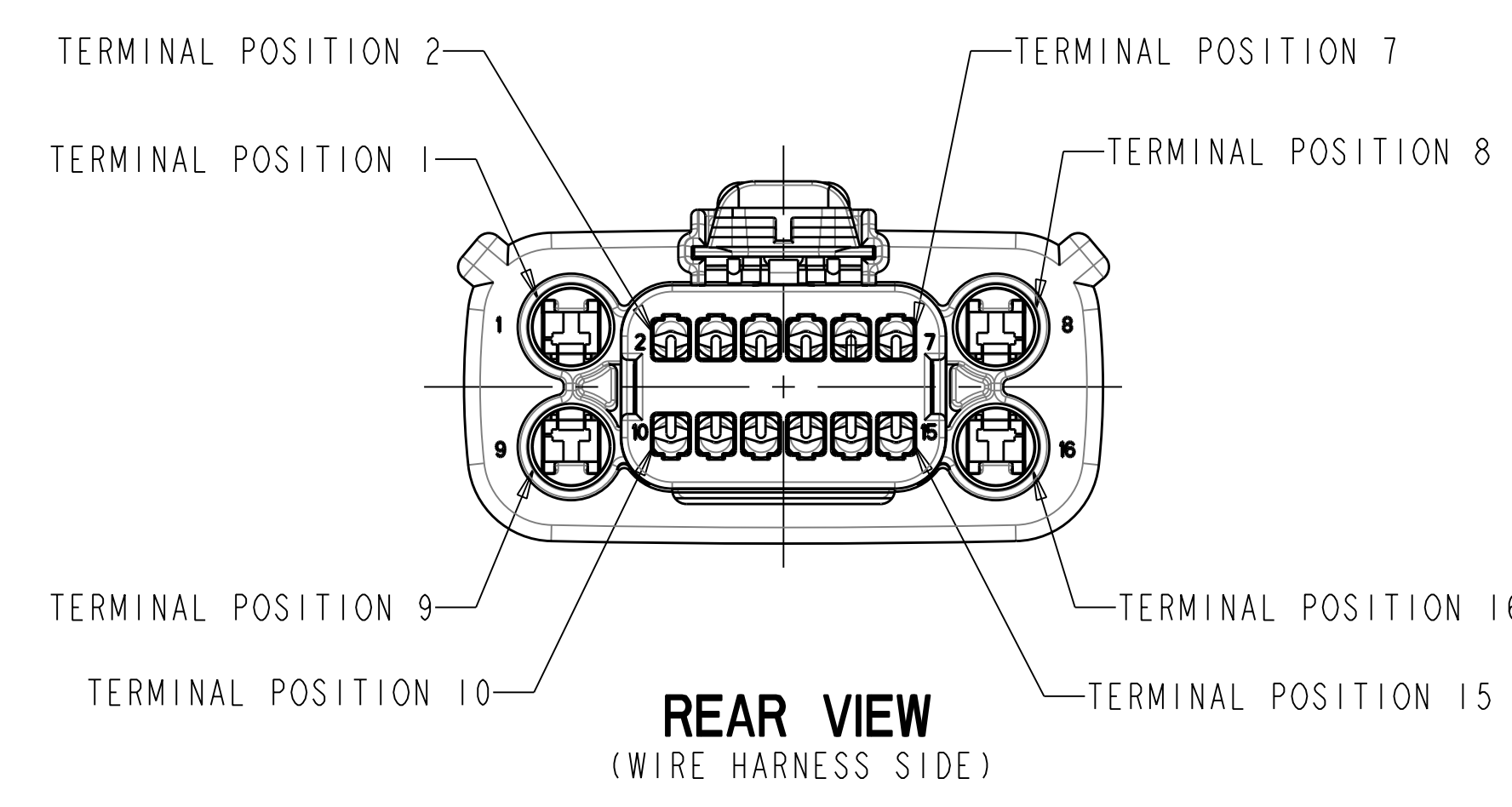
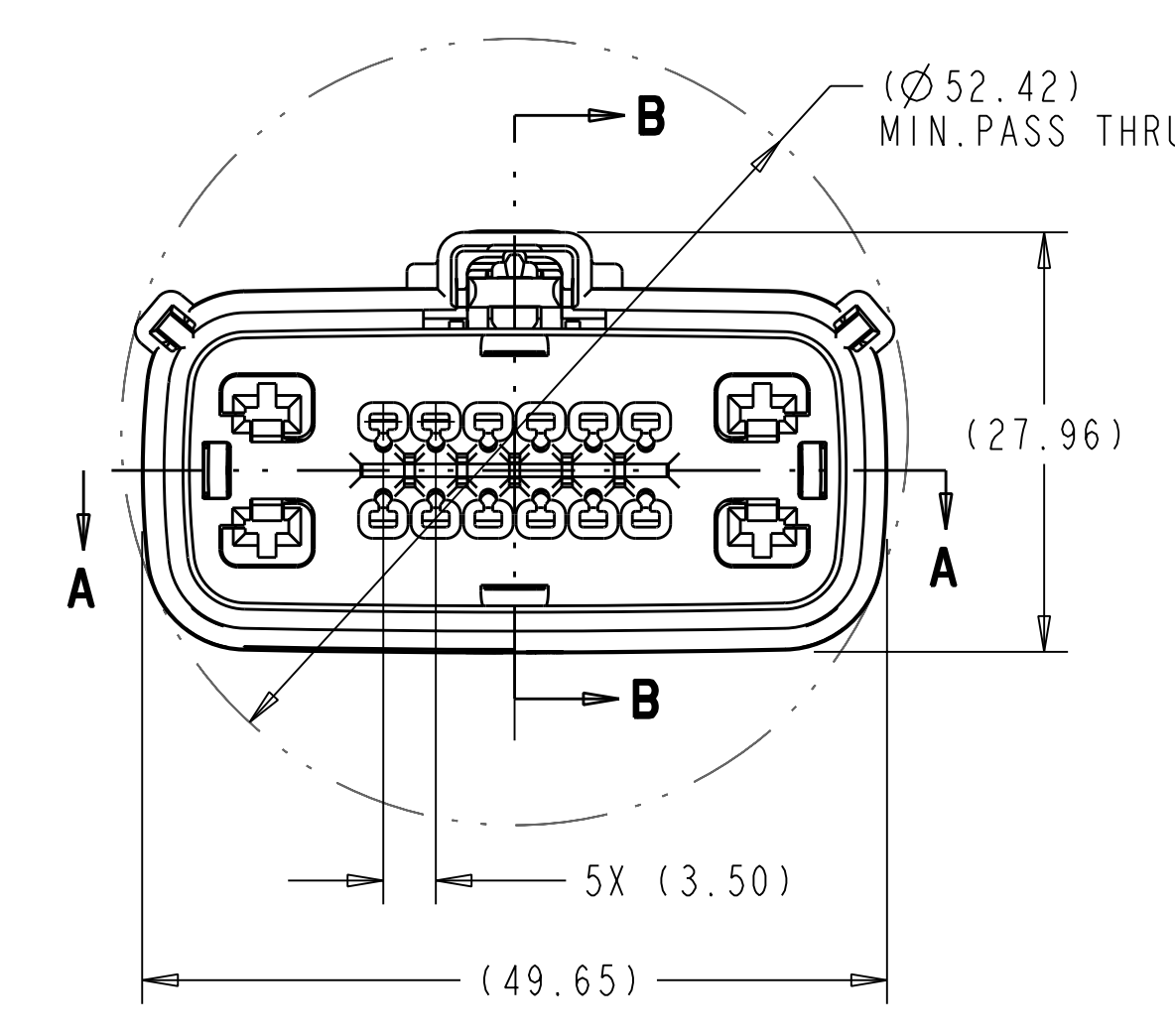
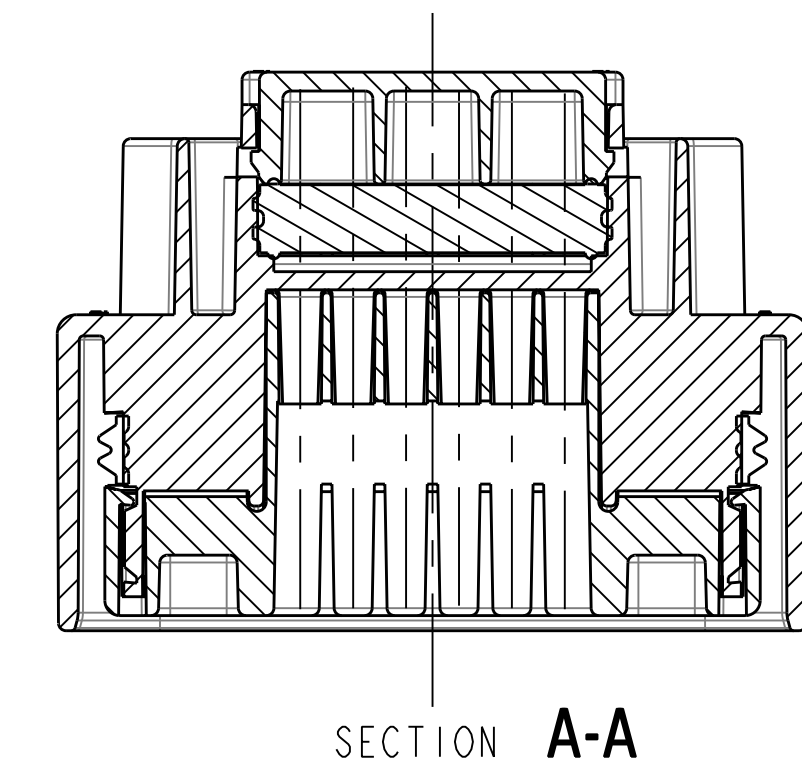
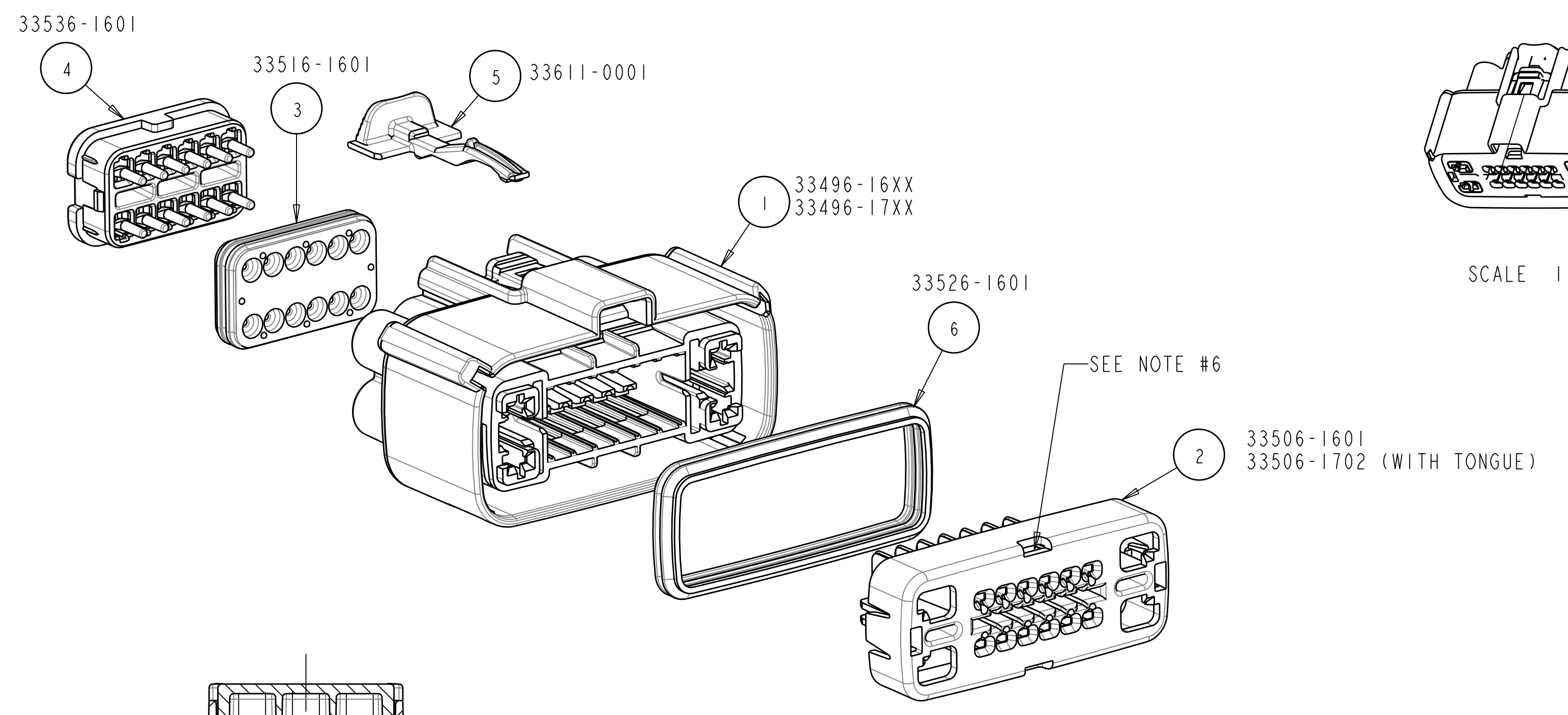
CPA TO BE INSTALLED IN PRE-LOCK POSITION AS SHOWN IN BOTH VIEWS. SEE NOTE #5

SECTION B-B  
(RECEPTACLE INSERT WITH SHORTING BAR SHOWN IN PRE-LOCK)  
SEE NOTE #2

SECTION B-B  
(RECEPTACLE INSERT WITH SHORTING BAR SHOWN IN FULL-LOCK)  
SEE NOTE #2

SECTION B-B  
(RECEPTACLE INSERT SHOWN IN PRE-LOCK POSITION)  
SEE NOTE #2

SECTION B-B  
(RECEPTACLE INSERT SHOWN IN FULL-LOCK POSITION)  
SEE NOTE #2



- NOTES: UNLESS OTHERWISE SPECIFIED
- DESIGNED TO MATE WITH BLADE HOUSING ASSEMBLY SPECIFIED IN CHARTED DRAWING E-33486-161 OR DEVICE CONNECTION AS SPECIFIED IN DRAWING E-33586-161. SEE CHART
  - ASSEMBLY SHIPPED WITH RECEPTACLE INSERT IN PRE-LOCK POSITION (SEE SECTION B-B PRE-LOCK). UPON FULL TERMINAL ASSEMBLY, EACH RECEPTACLE INSERT MUST BE SNAPPED INTO ITS FINAL-LOCK POSITION.
  - FOR 1.5mm RECEPTACLE TERMINALS TO BE USED WITH THIS ASSEMBLY, SEE MOLEX DRAWING E-33012-001. FOR FORD 2.8mm FEMALE RECEPTACLE SEE CHART.
  - SYSTEM TO BE USED WITH WIRE WITHIN Ø RANGE OF 1.2mm TO 2.4mm.
  - OPTIONAL CPA SHOWN IN ALL VIEWS. SEE TABLES FOR SPECIFIC ASSEMBLY OPTION AND NUMBER. CPA MUST BE INSERTED TO THE PRE-LOCK POSITION, AS SHOWN IN SECTION B-B. WHEN CORRECTLY SEATED THE CPA DOES NOT MOVE, FREELY.
  - SERVICE WITH SCREWDRIVER.
  - REFER TO SHEET # 2 OF THIS DRAWING FOR ALL PART NUMBER CONFIGURATION OPTIONS.
  - REFER TO ASSEMBLY DRAWING E-33476-181 FOR RECEPTACLE WITH CLIP SLOT OPTIONS.
  - a. ENGAGEMENT FORCE - NO TERMINALS (PRE TO FINAL): 15N MIN.  
b. ENGAGEMENT FORCE - WITH TERMINALS (PRE TO FINAL): 60N MAX.  
c. DISENGAGEMENT FORCE - WITH TERMINALS (FINAL TO PRE): 18N MIN. 60N MAX.  
d. PARTIALLY INSTALLED TERMINAL DETECTION - 80N MIN OR 40N GREATER THAN (b) WHICHEVER IS GREATER.  
e. REMOVAL FORCE - WITH TERMINALS (FINAL TO OUT OF CONNECTOR): 25N MIN.

| TYCO 2.8mm CABLE SEAL TERMINAL |           |
|--------------------------------|-----------|
| FORD P/N                       | GRIP SIZE |
| IFIT-14474-KA                  | 12        |
| IFIT-14474-JA                  | 14        |
| IFIT-14474-HA                  | 16        |
| IFIT-14474-GA                  | 18        |
| IFIT-14474-FA                  | 20        |
| IFIT-14474-EA                  | 22        |

|                            |                            |
|----------------------------|----------------------------|
| EC NO: UA02005-0053        | DRWN: D.GRIFFITHS 08-11-04 |
| CH'K: D.GRIFFITHS 08-11-04 | APPR: D.GRIFFITHS 08-11-04 |
| N                          |                            |

| QUALITY SYMBOLS | GENERAL TOLERANCES (UNLESS SPECIFIED) |        |
|-----------------|---------------------------------------|--------|
|                 | mm                                    | INCH   |
| 4 PLACES        | ± .10                                 | ± .004 |
| 3 PLACES        | ± .15                                 | ± .005 |
| 2 PLACES        | ± 0.10                                | ± .004 |
| 1 PLACE         | ± 0.3                                 | ± .012 |
|                 | ANGULAR ± 3°                          |        |

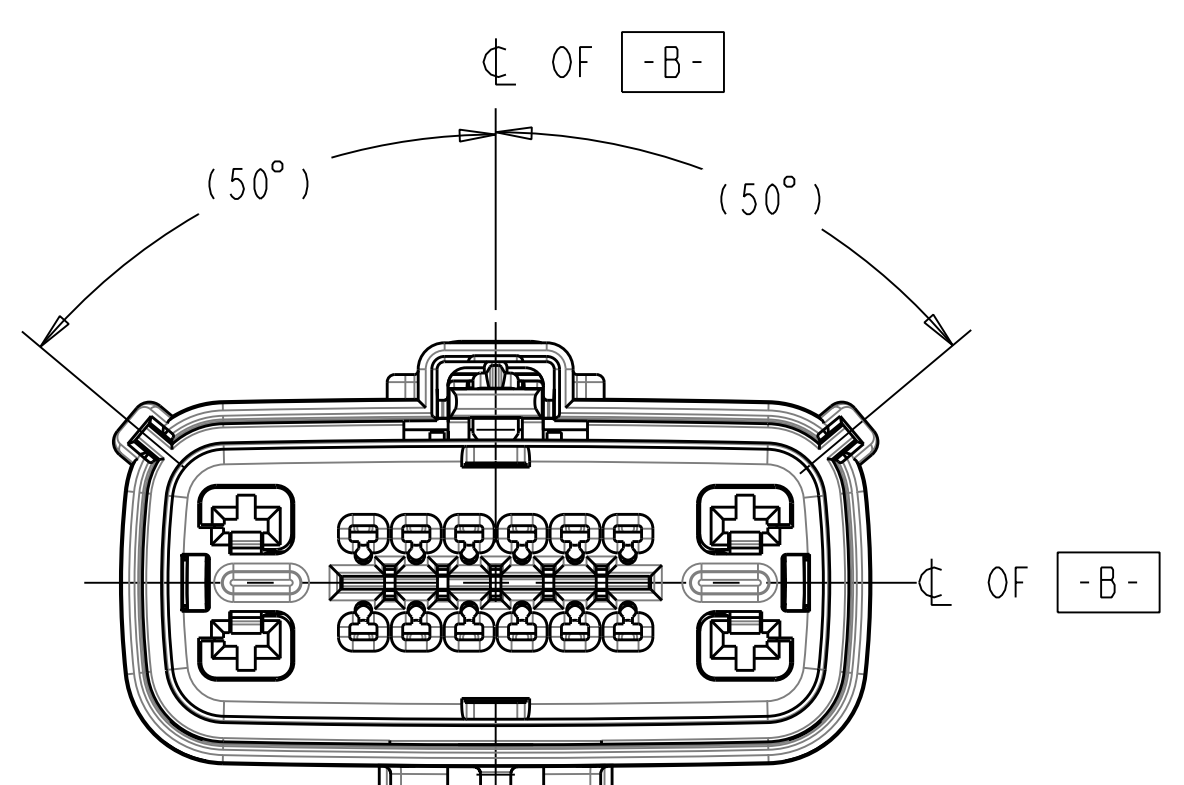
|                        |                 |
|------------------------|-----------------|
| SCALE 2:1              | DESIGN UNITS mm |
| DIMENSION STYLE mm     |                 |
| DRAWN BY J. WESLEY     | DATE 06-16-02   |
| CHECKED BY D.GRIFFITHS | DATE 07-09-02   |
| APPROVED BY F.HOLUB    | DATE 07-09-02   |

|   |                           |                    |  |
|---|---------------------------|--------------------|--|
| THIRD ANGLE PROJECTION  |                           | REVISE ON CAD ONLY |  |
| TITLE<br>1.5mm/2.8mm HYBRID CONNECTOR, RCPT 2 ROW HOUSING, SEALED, 16 WAY |                           |                    |  |
| MOLEX MOLEX INCORPORATED  |                           |                    |  |
| MATERIAL NO. -  | DOCUMENT NO. SD-33476-161 | SHEET NO. 1 OF 2   |  |

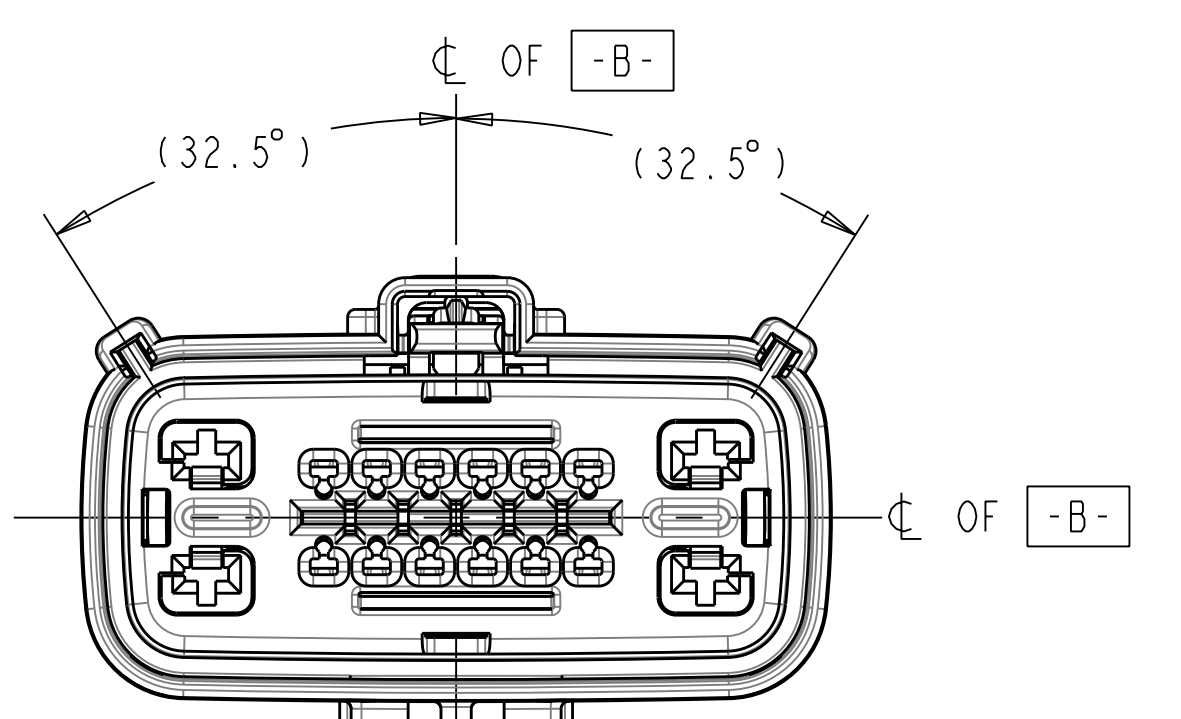
THIS DRAWING CONTAINS INFORMATION THAT IS PROPRIETARY TO MOLEX INCORPORATED AND SHOULD NOT BE USED WITHOUT WRITTEN PERMISSION



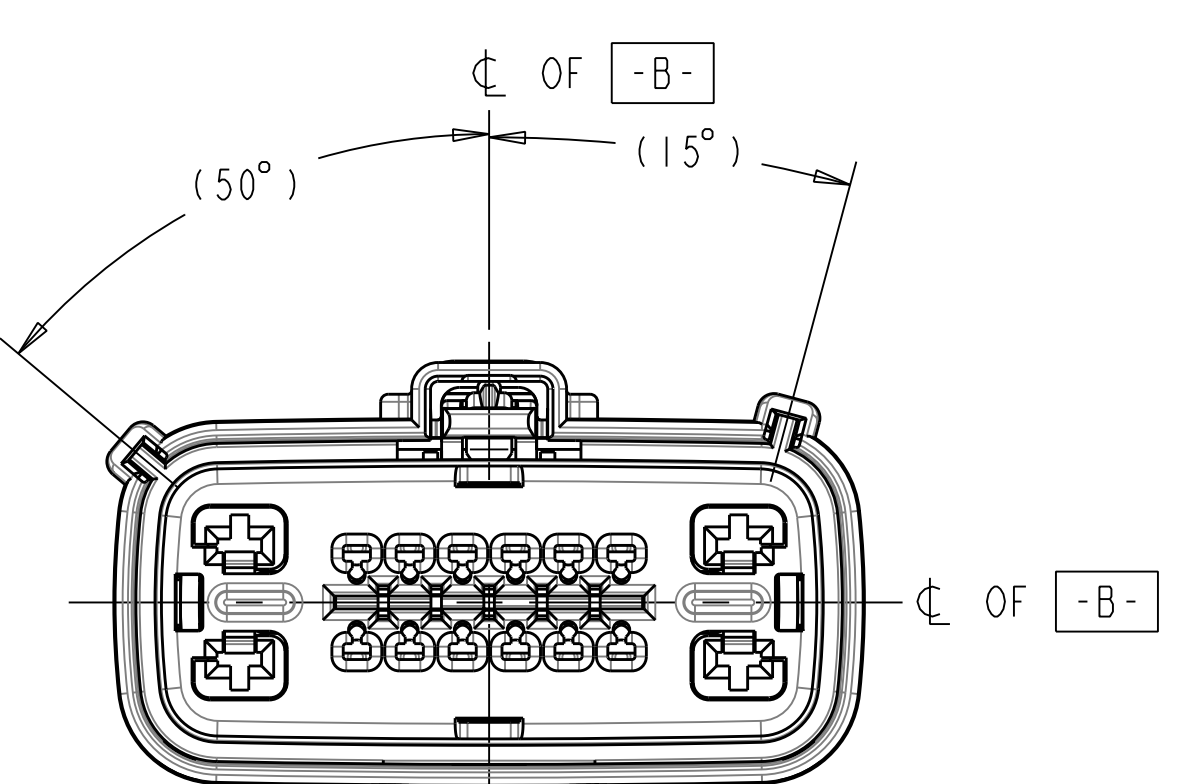




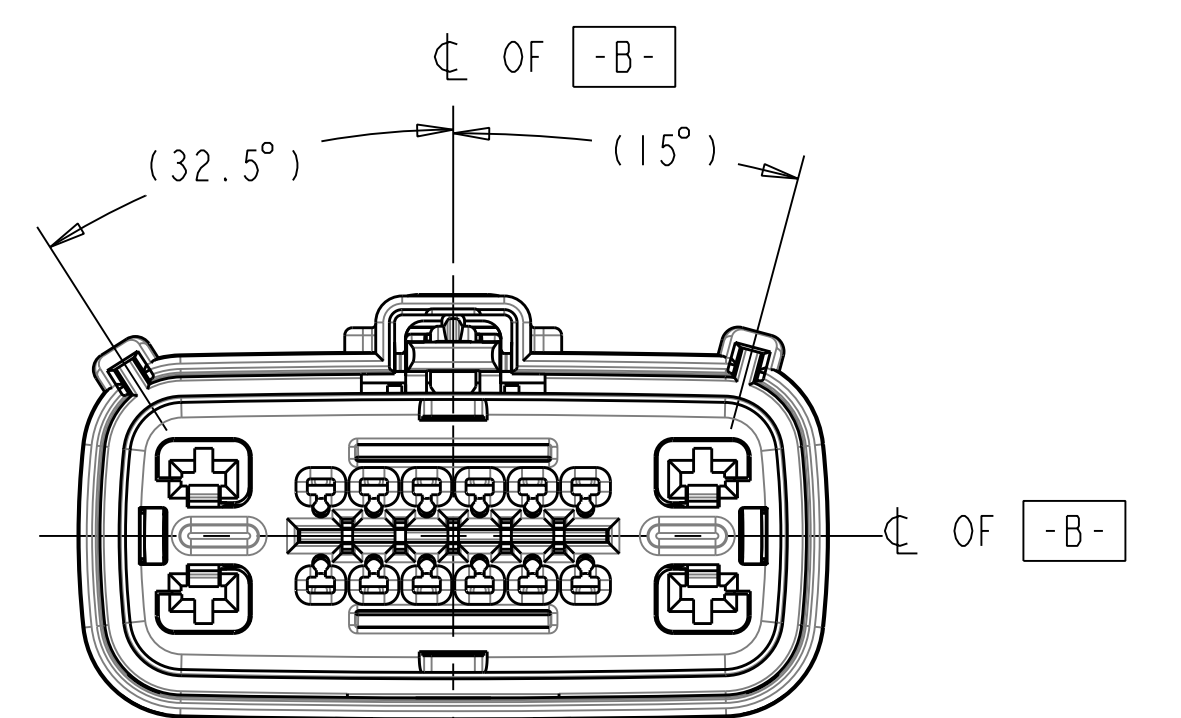
KEYING OPTION A  
SCALE 2:1



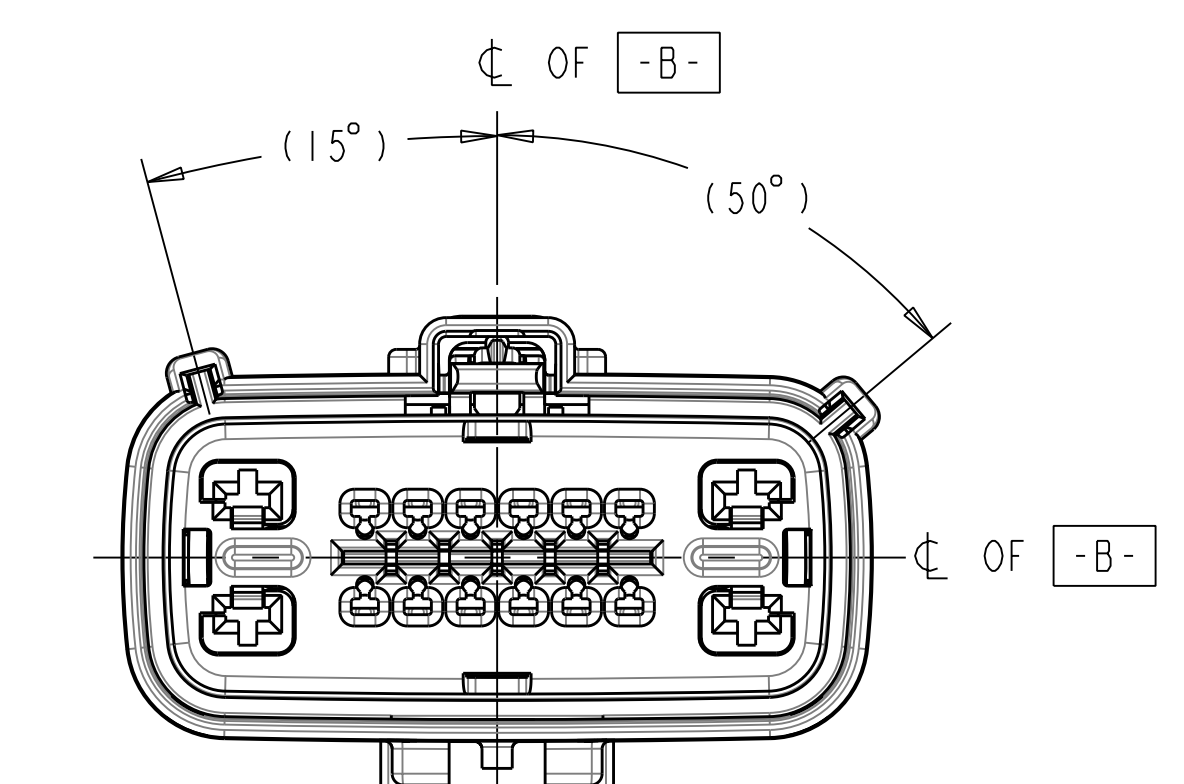
KEYING OPTION E  
SCALE 2:1



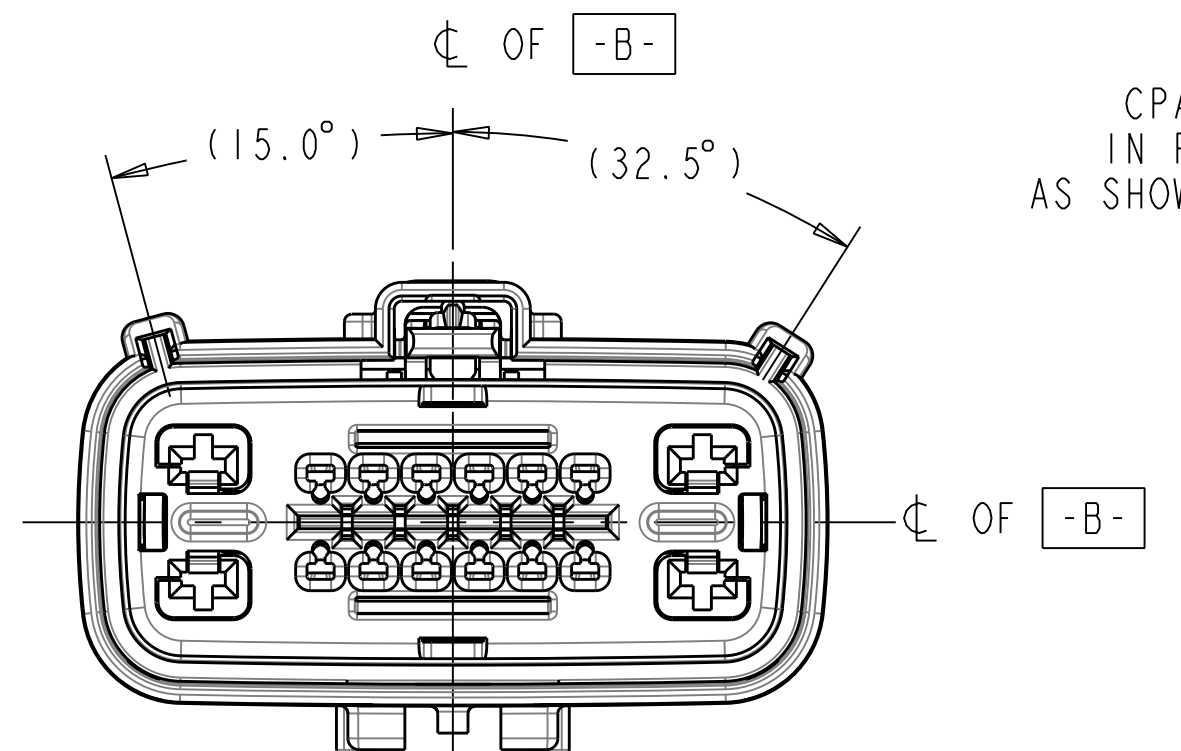
KEYING OPTION B  
SCALE 2:1



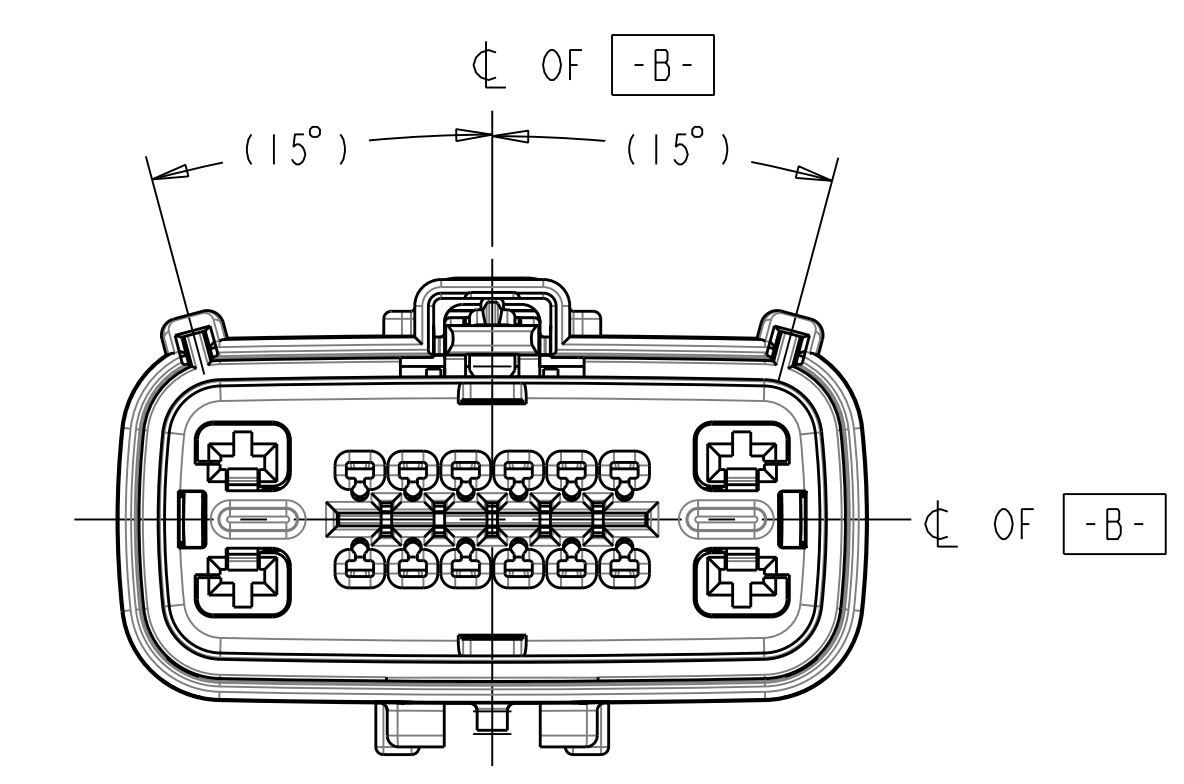
KEYING OPTION F  
SCALE 2:1



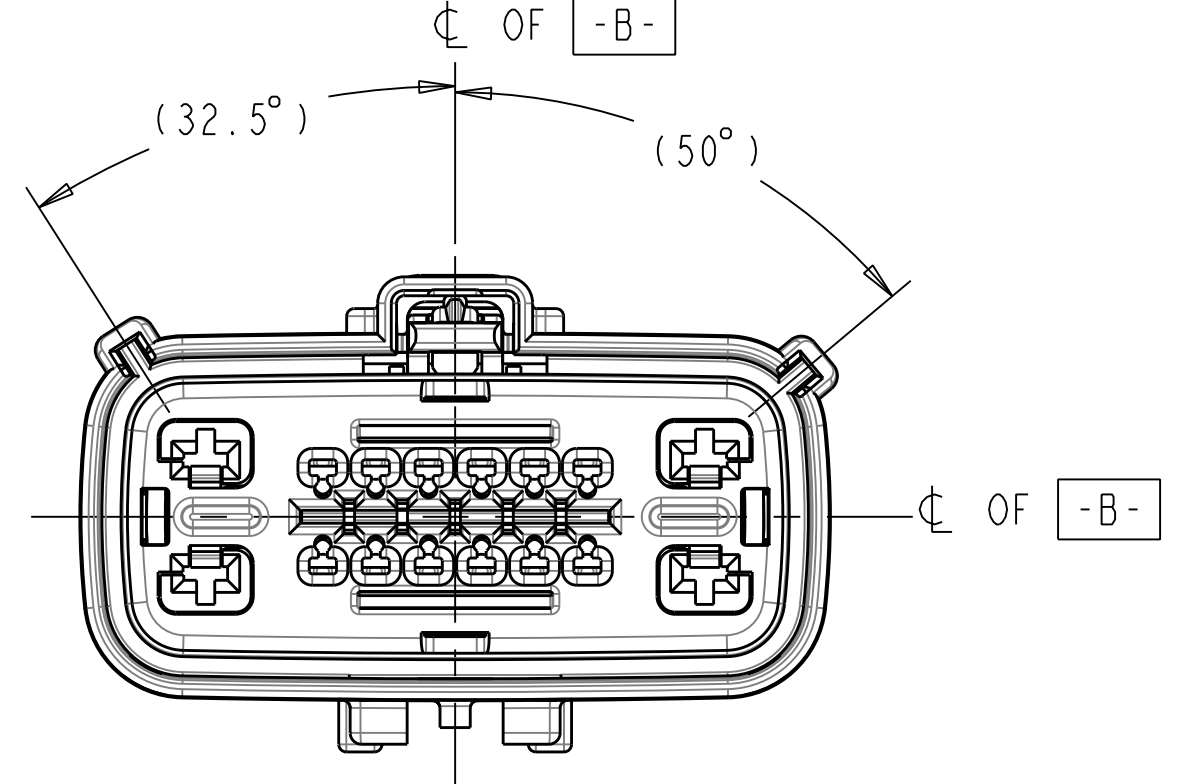
KEYING OPTION C  
SCALE 2:1



KEYING OPTION G  
SCALE 2:1

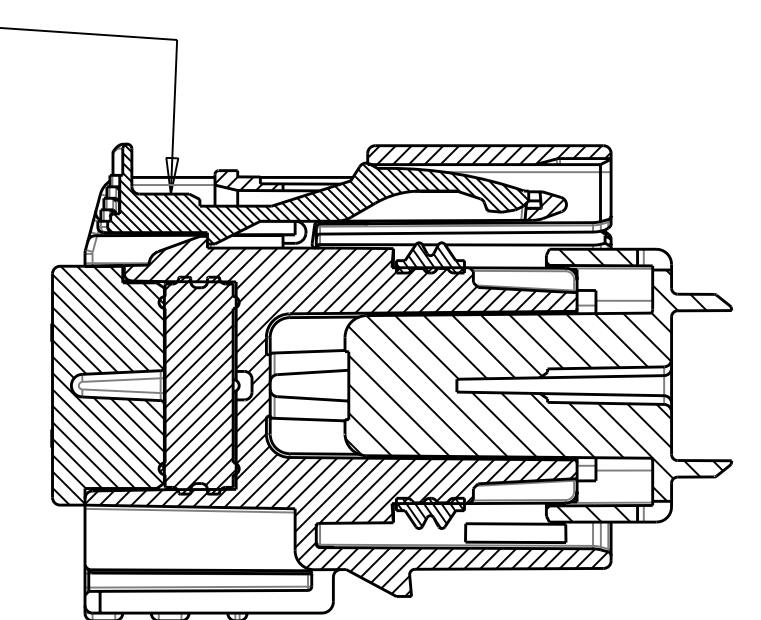


KEYING OPTION D  
SCALE 2:1

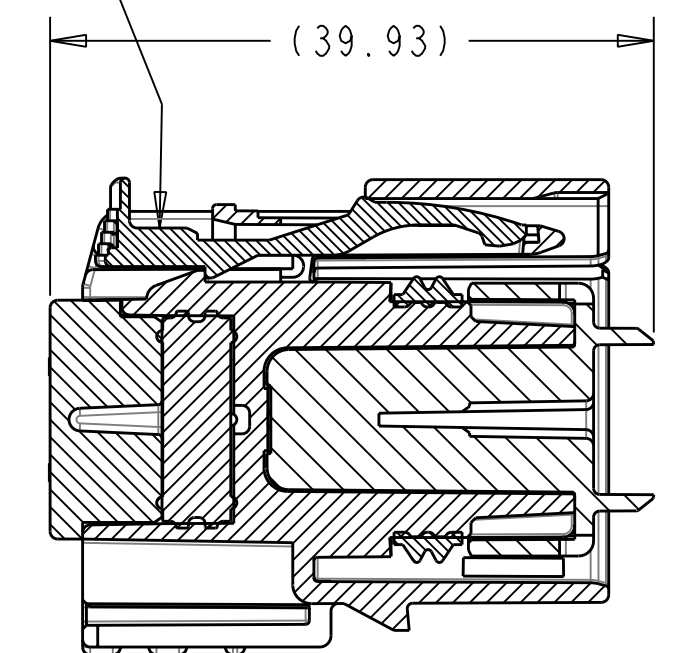


KEYING OPTION H  
SCALE 2:1

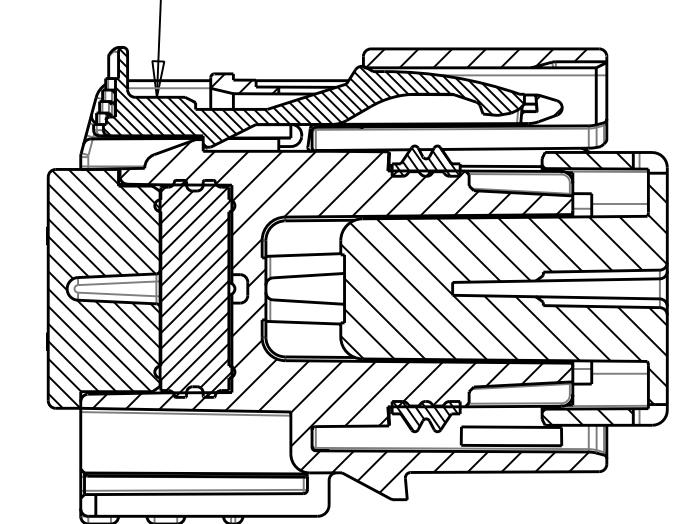
CPA TO BE INSTALLED  
IN PRE-LOCK POSITION  
AS SHOWN IN BOTH VIEWS,  
SEE NOTE #5



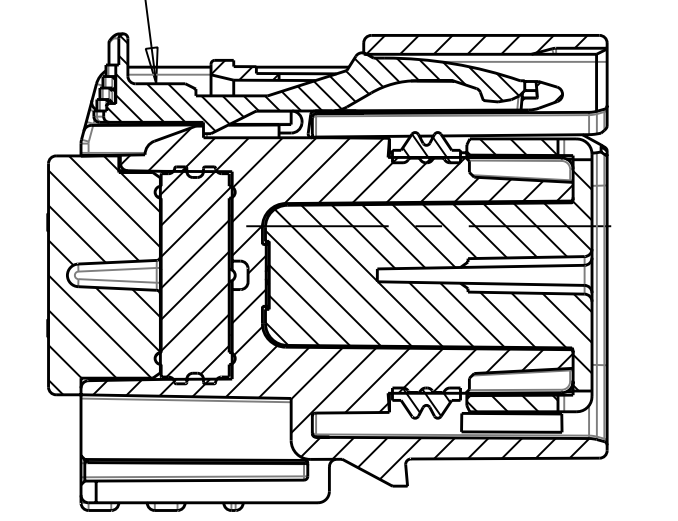
SECTION B-B  
(RECEPTACLE INSERT WITH  
SHORTING BAR LIFTER  
SHOWN IN PRE-LOCK)  
SEE NOTE #2



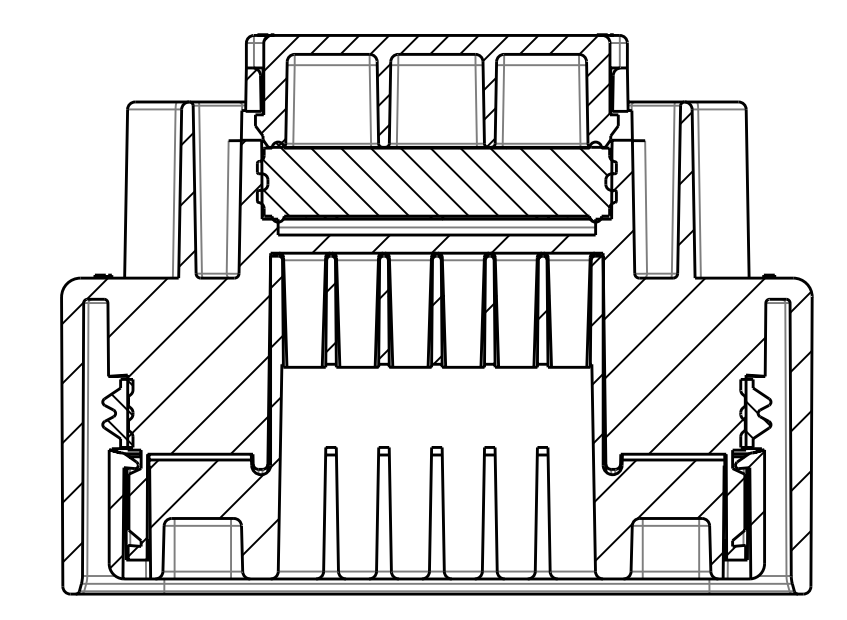
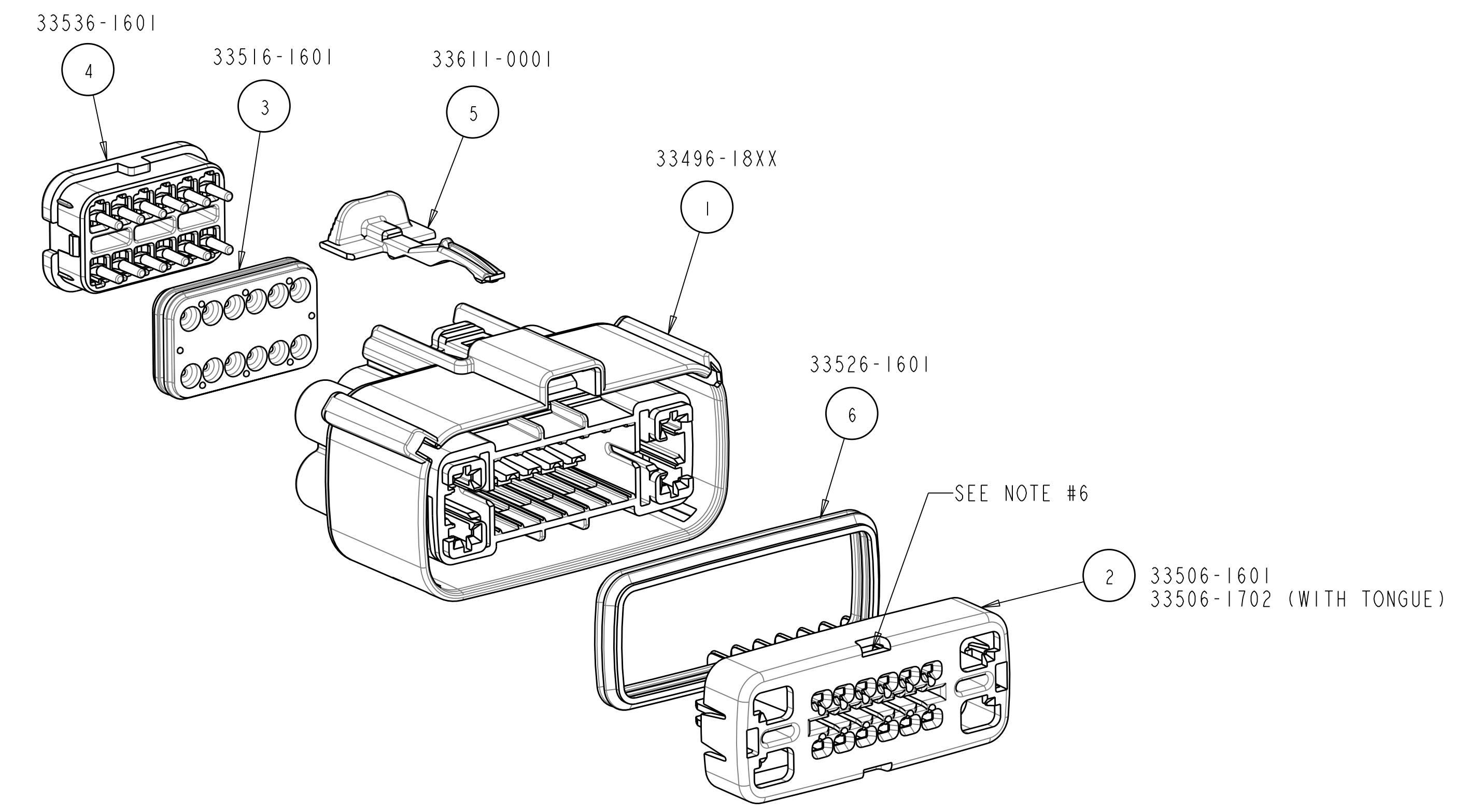
SECTION B-B  
(RECEPTACLE INSERT WITH  
SHORTING BAR LIFTER  
SHOWN IN FULL-LOCK)  
SEE NOTE #2



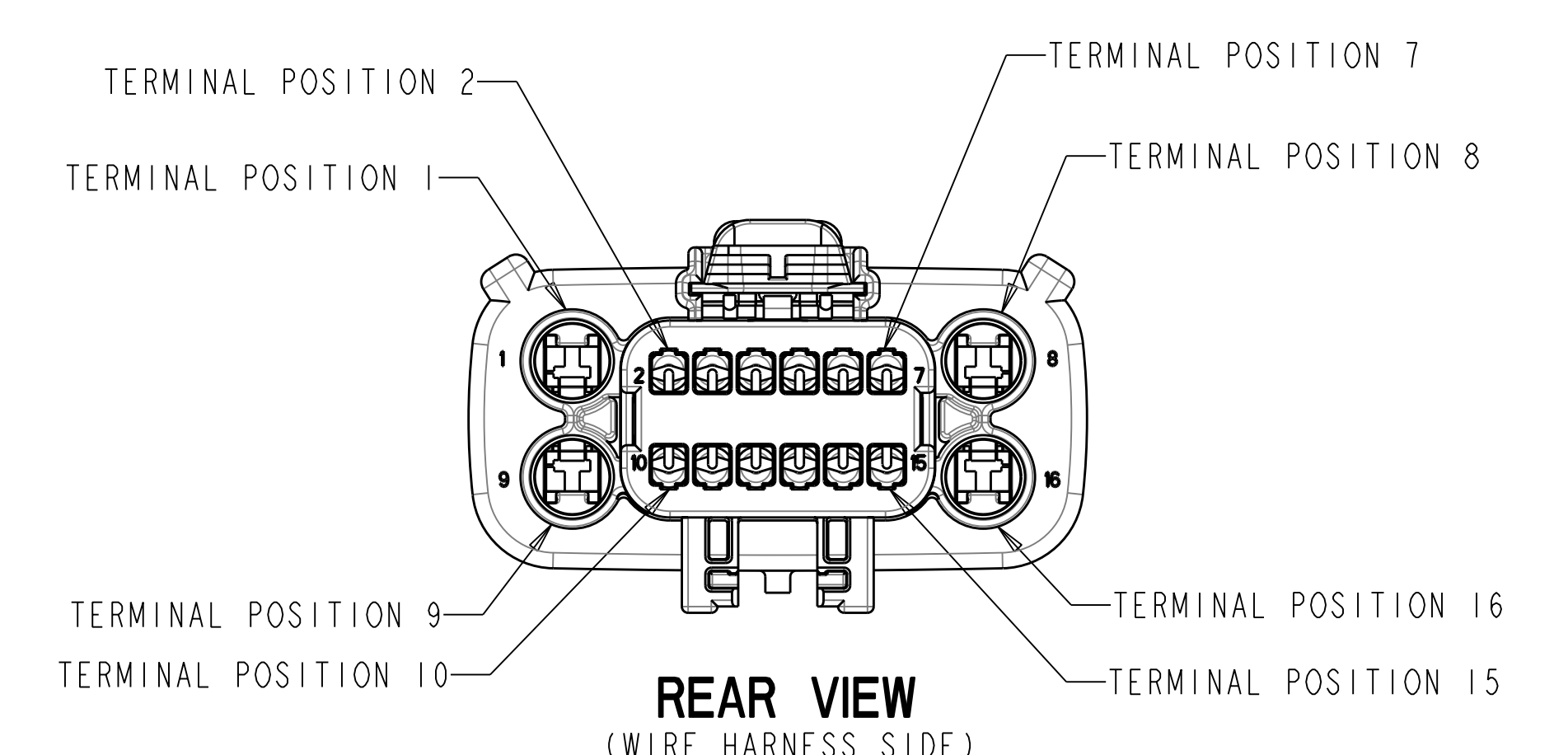
SECTION B-B  
(RECEPTACLE INSERT  
SHOWN IN PRE-LOCK)  
SEE NOTE #2



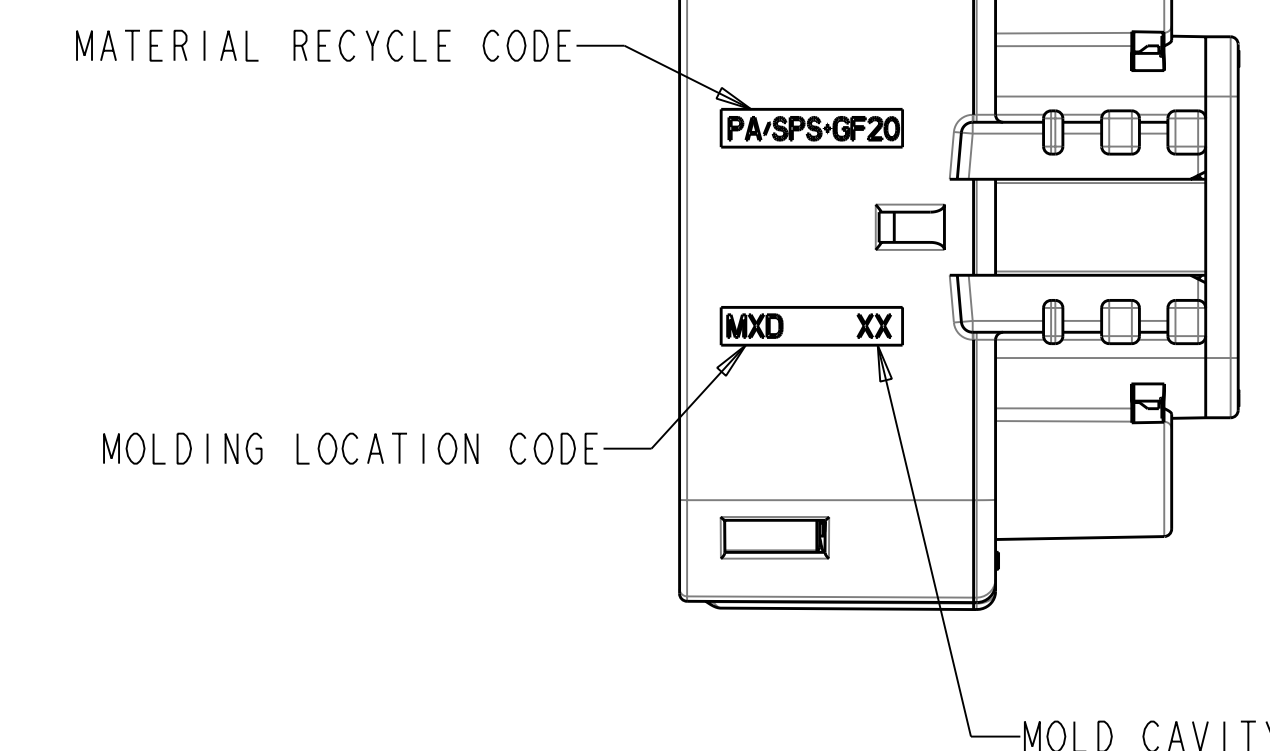
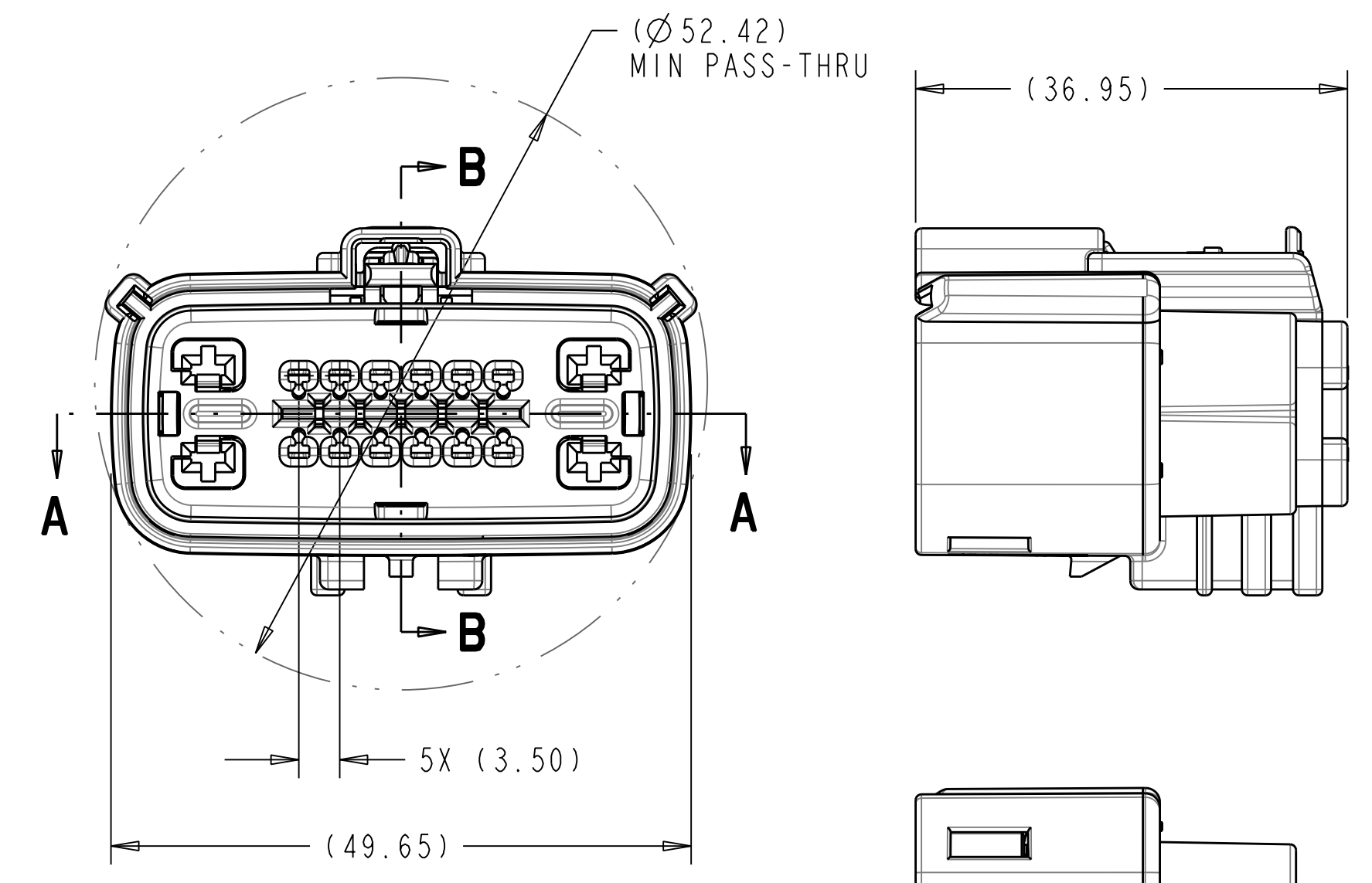
SECTION B-B  
(RECEPTACLE INSERT  
SHOWN IN FULL-LOCK)  
SEE NOTE #2



SECTION A-A



REAR VIEW  
(WIRE HARNESS SIDE)



- NOTES: UNLESS OTHERWISE SPECIFIED
- DESIGNED TO MATE WITH BLADE HOUSING ASSEMBLY SPECIFIED IN CHARTED DRAWING E-33486-161 OR DEVICE CONNECTION AS SPECIFIED IN DRAWING E-33586-161. SEE CHART
  - ASSEMBLY SHIPPED WITH RECEPTACLE INSERT IN PRE-LOCK POSITION (SEE SECTION B-B PRE-LOCK). UPON FULL TERMINAL ASSEMBLY, EACH RECEPTACLE INSERT MUST BE SNAPPED INTO ITS FINAL-LOCK POSITION.
  - FOR 1.5mm RECEPTACLE TERMINALS TO BE USED WITH THIS ASSEMBLY, SEE MOLEX DRAWING E-33012-001. FOR FORD 2.8mm FEMALE RECEPTACLE SEE CHART.
  - SYSTEM TO BE USED WITH WIRE WITHIN Ø RANGE OF 1.2mm TO 2.4mm.
  - OPTIONAL CPA SHOWN IN ALL VIEWS. SEE TABLES FOR SPECIFIC ASSEMBLY OPTION AND NUMBER. CPA MUST BE INSERTED TO THE PRE-LOCK POSITION, AS SHOWN IN SECTION B-B. WHEN CORRECTLY SEATED THE CPA DOES NOT MOVE, FREELY.
  - SERVICE WITH SCREWDRIVER.
  - REFER TO TABLE ON SHEET 2 OF THIS DRAWING FOR ALL PART NUMBER CONFIGURATION OPTIONS.
  - REFER TO ASSEMBLY DRAWING E-33476-161 FOR RECEPTACLE WITHOUT CLIP SLOT OPTIONS.
  - 9a. ENGAGEMENT FORCE - NO TERMINALS (PRE TO FINAL): 15N MIN.  
9b. ENGAGEMENT FORCE - WITH TERMINALS (PRE TO FINAL): 60N MAX.  
9c. DISENGAGEMENT FORCE - WITH TERMINALS (FINAL TO PRE): 18N MIN, 60N MAX.  
9d. PARTIALLY INSTALLED TERMINAL DETECTION - 80N MIN OR 40N GREATER THAN (b) WHICHEVER IS GREATER.  
9e. REMOVAL FORCE - WITH TERMINALS (FINAL TO OUT OF CONNECTOR): 25N MIN.

| TYCO 2.8mm CABLE SEAL TERMINAL |           |
|--------------------------------|-----------|
| FORD P/N                       | GRIP SIZE |
| IFIT-14474-RA                  | 12        |
| IFIT-14474-JA                  | 14        |
| IFIT-14474-HA                  | 16        |
| IFIT-14474-GA                  | 18        |
| IFIT-14474-FA                  | 20        |
| IFIT-14474-EA                  | 22        |

|                     |                            |                            |                            |
|---------------------|----------------------------|----------------------------|----------------------------|
| EC NO: UAU2005-0053 | DRWN: D.GRIFFITHS 08-11-04 | CH'K: D.GRIFFITHS 08-11-04 | APPR: D.GRIFFITHS 08-11-04 |
| M                   | REV                        | DESCRIPTION                |                            |

| QUALITY SYMBOLS | GENERAL TOLERANCES (UNLESS SPECIFIED) |        |
|-----------------|---------------------------------------|--------|
|                 | mm                                    | INCH   |
| 4 PLACES        | ± .10                                 | ± .004 |
| 3 PLACES        | ± .15                                 | ± .005 |
| 2 PLACES        | ± 0.30                                | ± .012 |
| 1 PLACE         | ± 0.75                                | ± .030 |
|                 | ANGULAR ± 3°                          |        |

|                         |                 |
|-------------------------|-----------------|
| SCALE 2:1               | DESIGN UNITS mm |
| DIMENSION STYLE mm      |                 |
| DRAWN BY D.GRIFFITHS    | DATE 05-21-03   |
| CHECKED BY D.GRIFFITHS  | DATE 05-21-03   |
| APPROVED BY D.GRIFFITHS | DATE 05-21-03   |

|   |                           |
|---|---------------------------|
| THIRD ANGLE PROJECTION  | REVISE ON CAD ONLY        |
| TITLE<br>1.5mm/2.8mm HYBRID CONNECTOR, RCPT 2 ROW HOUSING w/ CLIP SLOT SEALED, 16 WAY |                           |
| MOLEX MOLEX INCORPORATED  |                           |
| MATERIAL NO. -  | DOCUMENT NO. SD-33476-181 |
| SHEET NO. 1 OF 2  |                           |

THIS DRAWING CONTAINS INFORMATION THAT IS PROPRIETARY TO MOLEX INCORPORATED AND SHOULD NOT BE USED WITHOUT WRITTEN PERMISSION

| T | ASSEMBLY PART NUMBER | HOUSING PART NUMBER | COLOR   | KEYING OPTION | MAT SEAL CAP | CAVITY TYPE & STATUS (X = PLUGGED) |   |   |   |   |   |    |    |    |    | CPA | INTERFACE SEAL | MAT SEAL   | INSERT/TPA |            |            |            |
|---|----------------------|---------------------|---------|---------------|--------------|------------------------------------|---|---|---|---|---|----|----|----|----|-----|----------------|------------|------------|------------|------------|------------|
|   |                      |                     |         |               |              | 2                                  | 3 | 4 | 5 | 6 | 7 | 10 | 11 | 12 | 13 |     |                |            |            | 14         | 15         |            |
| T | 33476-1713           | 33496-1806          | BLACK   | E             | 33536-1601   |                                    |   |   |   |   |   |    |    |    |    |     |                | -          | 33526-1601 | 33516-1601 | 33506-1702 |            |
| T | 33476-1841           | 33496-1801          | BLACK   | A             | 33536-1601   |                                    |   |   |   |   |   |    |    |    |    |     |                | -          | 33526-1601 | 33516-1601 | 33506-1601 |            |
| T | 33476-1848           | 33496-1801          | BLACK   | A             | 33536-1601   | X                                  |   |   |   |   |   |    |    |    |    |     |                | 33611-0001 | 33526-1601 | 33516-1601 | 33506-1601 |            |
| T | 33476-1849           | 33496-1801          | BLACK   | A             | 33536-1601   |                                    |   |   |   |   |   |    |    |    |    |     |                | 33611-0001 | 33526-1601 | 33516-1601 | 33506-1601 |            |
| S | 33476-1850           | 33496-1801          | BLACK   | A             | 33536-1601   | X                                  |   |   |   |   | X | X  |    |    |    |     |                | -          | 33526-1601 | 33516-1601 | 33506-1601 |            |
| S | 33476-1851           | 33496-1807          | LT.GRAY | F             | 33536-1601   | X                                  | X |   |   | X | X |    |    |    |    | X   | X              | X          | -          | 33526-1601 | 33516-1601 | 33506-1702 |
| S | 33476-1852           | 33496-1807          | LT.GRAY | F             | 33536-1601   |                                    |   |   |   | X |   |    |    |    |    |     |                | -          | 33526-1601 | 33516-1601 | 33506-1702 |            |
| S | 33476-1853           | 33496-1807          | LT.GRAY | F             | 33536-1601   | X                                  | X |   |   | X |   |    |    |    |    | X   |                | -          | 33526-1601 | 33516-1601 | 33506-1702 |            |
| S | 33476-1854           | 33496-1807          | LT.GRAY | F             | 33536-1601   |                                    |   |   |   | X |   |    |    |    |    | X   |                | -          | 33526-1601 | 33516-1601 | 33506-1702 |            |
| R | 33476-1855           | 33496-1807          | LT.GRAY | F             | 33536-1601   | X                                  |   |   |   | X |   | X  | X  | X  |    |     |                | -          | 33526-1601 | 33516-1601 | 33506-1702 |            |
| R | 33476-1856           | 33496-1807          | LT.GRAY | F             | 33536-1601   |                                    |   |   |   | X |   |    |    |    |    | X   |                | -          | 33526-1601 | 33516-1601 | 33506-1702 |            |
| R | 33476-1857           | 33496-1807          | LT.GRAY | F             | 33536-1601   |                                    |   |   |   | X |   |    | X  | X  |    |     |                | -          | 33526-1601 | 33516-1601 | 33506-1702 |            |
| R | 33476-1858           | 33496-1807          | LT.GRAY | F             | 33536-1601   | X                                  | X |   |   | X |   | X  |    |    |    |     |                | -          | 33526-1601 | 33516-1601 | 33506-1702 |            |
| R | 33476-1859           | 33496-1807          | LT.GRAY | F             | 33536-1601   |                                    |   |   |   |   |   | X  |    |    |    |     |                | -          | 33526-1601 | 33516-1601 | 33506-1702 |            |
| O | 33476-1860           | 33496-1807          | LT.GRAY | F             | 33536-1601   | X                                  | X | X | X | X |   | X  |    |    |    |     |                | -          | 33526-1601 | 33516-1601 | 33506-1702 |            |
| O | 33476-1861           | 33496-1801          | BLACK   | A             | 33536-1601   | X                                  | X | X |   |   |   | X  | X  |    |    | X   |                | -          | 33526-1601 | 33516-1601 | 33506-1601 |            |
| O | 33476-1862           | 33496-1806          | BLACK   | E             | 33536-1601   | X                                  |   |   |   |   |   |    |    |    |    | X   |                | -          | 33526-1601 | 33516-1601 | 33506-1702 |            |
| O | 33476-1875           | 33496-1806          | BLACK   | E             | 33536-1601   |                                    |   |   |   |   |   | X  | X  |    |    | X   |                | -          | 33526-1601 | 33516-1601 | 33506-1702 |            |
| O | 33476-1876           | 33496-1806          | BLACK   | E             | 33536-1601   |                                    |   |   |   | X | X | X  | X  |    |    | X   |                | -          | 33526-1601 | 33516-1601 | 33506-1702 |            |
| O | 33476-1877           | 33496-1806          | BLACK   | E             | 33536-1601   |                                    |   |   |   |   |   |    |    |    |    | X   | X              | -          | 33526-1601 | 33516-1601 | 33506-1702 |            |
| P | 33476-1878           | 33496-1806          | BLACK   | E             | 33536-1601   |                                    |   |   |   |   |   |    |    |    |    | X   |                | -          | 33526-1601 | 33516-1601 | 33506-1702 |            |
| P | 33476-1881           | 33496-1801          | BLACK   | A             | 33536-1601   |                                    |   |   |   | X | X |    |    |    |    | X   |                | -          | 33526-1601 | 33516-1601 | 33506-1601 |            |
| P | 33476-1891           | 33496-1801          | BLACK   | A             | 33536-1601   | X                                  | X |   |   | X |   |    |    |    |    |     |                | -          | 33526-1601 | 33516-1601 | 33506-1601 |            |
| P | 33476-1892           | 33496-1806          | BLACK   | E             | 33536-1601   | X                                  | X |   |   |   |   |    |    |    |    | X   | X              | -          | 33526-1601 | 33516-1601 | 33506-1702 |            |
| O | 33476-1893           | 33496-1806          | BLACK   | E             | 33536-1601   |                                    |   |   |   |   |   | X  | X  |    |    | X   | X              | -          | 33526-1601 | 33516-1601 | 33506-1702 |            |
| O | 33476-1894           | 33496-1807          | LT.GRAY | F             | 33536-1601   |                                    |   |   |   |   |   |    |    |    |    | X   | X              | -          | 33526-1601 | 33516-1601 | 33506-1702 |            |
| O | 33476-1895           | 33496-1809          | YELLOW  | H             | 33536-1601   |                                    |   |   |   |   |   |    |    |    |    |     |                | -          | 33526-1601 | 33516-1601 | 33506-1702 |            |
| O | 33476-1896           | 33496-1809          | YELLOW  | H             | 33536-1601   |                                    |   |   |   |   |   |    |    |    |    | X   |                | -          | 33526-1601 | 33516-1601 | 33506-1702 |            |
| O | 33476-1897           | 33496-1807          | LT.GRAY | F             | 33536-1601   |                                    |   |   |   | X | X | X  | X  | X  | X  | X   | X              | -          | 33526-1601 | 33516-1601 | 33506-1702 |            |
| N | 33476-1898           | 33496-1807          | LT.GRAY | F             | 33536-1601   |                                    |   |   |   | X |   | X  | X  | X  | X  | X   | X              | -          | 33526-1601 | 33516-1601 | 33506-1702 |            |
| N | 33476-1899           | 33496-1809          | YELLOW  | H             | 33536-1601   |                                    |   |   |   | X | X | X  | X  |    |    | X   |                | -          | 33526-1601 | 33516-1601 | 33506-1702 |            |
| N | 33476-1900           | 33496-1809          | YELLOW  | H             | 33536-1601   |                                    |   |   |   | X |   | X  | X  |    |    | X   |                | -          | 33526-1601 | 33516-1601 | 33506-1702 |            |
| N | 33476-2201           | 33496-1806          | BLACK   | E             | 33536-1601   |                                    |   |   |   |   |   |    |    |    |    |     |                | -          | 33526-1601 | 33516-1601 | 33506-1702 |            |
| N | 33476-2202           | 33496-1807          | LT.GRAY | F             | 33536-1601   | X                                  | X |   |   | X | X |    |    |    |    | X   | X              | X          | -          | 33526-1601 | 33516-1601 | 33506-1702 |
| N | 33476-2203           | 33496-1807          | LT.GRAY | F             | 33536-1601   |                                    |   |   |   | X |   |    |    |    |    |     |                | -          | 33526-1601 | 33516-1601 | 33506-1702 |            |
| M | 33476-2204           | 33496-1807          | LT.GRAY | F             | 33536-1601   | X                                  | X |   |   | X |   |    |    |    |    | X   |                | -          | 33526-1601 | 33516-1601 | 33506-1702 |            |
| M | 33476-2205           | 33496-1807          | LT.GRAY | F             | 33536-1601   |                                    |   |   |   | X |   |    |    |    |    | X   |                | -          | 33526-1601 | 33516-1601 | 33506-1702 |            |
| M | 33476-2206           | 33496-1807          | LT.GRAY | F             | 33536-1601   | X                                  |   |   |   | X |   | X  | X  |    |    |     |                | -          | 33526-1601 | 33516-1601 | 33506-1702 |            |
| M | 33476-2207           | 33496-1807          | LT.GRAY | F             | 33536-1601   |                                    |   |   |   | X |   |    |    |    |    | X   |                | -          | 33526-1601 | 33516-1601 | 33506-1702 |            |
| M | 33476-2208           | 33496-1807          | LT.GRAY | F             | 33536-1601   |                                    |   |   |   | X |   | X  | X  |    |    |     |                | -          | 33526-1601 | 33516-1601 | 33506-1702 |            |
| L | 33476-2209           | 33496-1807          | LT.GRAY | F             | 33536-1601   | X                                  | X |   |   | X |   | X  |    |    |    |     |                | -          | 33526-1601 | 33516-1601 | 33506-1702 |            |
| L | 33476-2210           | 33496-1807          | LT.GRAY | F             | 33536-1601   |                                    |   |   |   |   |   | X  |    |    |    |     |                | -          | 33526-1601 | 33516-1601 | 33506-1702 |            |
| L | 33476-2211           | 33496-1807          | LT.GRAY | F             | 33536-1601   | X                                  | X | X | X | X |   |    |    |    |    |     |                | -          | 33526-1601 | 33516-1601 | 33506-1702 |            |

|   |                     |                                       |          |             |              |                        |                    |  |              |
|---|---------------------|---------------------------------------|----------|-------------|--------------|------------------------|--------------------|--|--------------|
| EC NO: UAU2005-0053<br>DRWN: D.GRIFFITHS 08-11-04<br>CH'K: D.GRIFFITHS 08-11-04<br>APPR: D.GRIFFITHS 08-11-04                 | QUALITY SYMBOLS<br> | GENERAL TOLERANCES (UNLESS SPECIFIED) |          | SCALE       | DESIGN UNITS | THIRD ANGLE PROJECTION | REVISE ON CAD ONLY |  |              |
|   |                     | 4 PLACES                              | 3 PLACES | 2.000       | mm           |                        | DIMENSION STYLE    |  | TITLE        |
|   |                     | 2 PLACES                              | 1 PLACE  |             |              | mm                     |                    | 1.5mm/2.8mm HYBRID CONNECTOR, RCPT 2 ROW HOUSING w/ CLIP SLOT SEALED, 16 WAY |              |
|   |                     | ANGULAR ± 3°                          |          |             |              | DRAWN BY               | DATE               | MOLEX INCORPORATED   |              |
|   |                     |                                       |          |             |              | CHECKED BY             | DATE               | MATERIAL NO.   | DOCUMENT NO. |
| M   | REV                 |                                       |          | D.GRIFFITHS | 05-21-03     | -                      | SD-33476-181       | 2 OF 2   |              |
| THIS DRAWING CONTAINS INFORMATION THAT IS PROPRIETARY TO MOLEX INCORPORATED AND SHOULD NOT BE USED WITHOUT WRITTEN PERMISSION |                     |                                       |          |             |              |                        |                    |  |              |

| TABLE OF CONTENTS |                       |
|-------------------|-----------------------|
| SHEET NO.         | SHEET DESCRIPTION     |
| 1                 | NOTES AND BOM         |
| 2                 | CONFIGURATIONS        |
| 3                 | KEY CONFIGURATIONS    |
| 4                 | BLADE SEALED ASSEMBLY |
| 5                 | SYSTEM PACKAGING      |

NOTES: VALID UNLESS OTHERWISE SPECIFIED

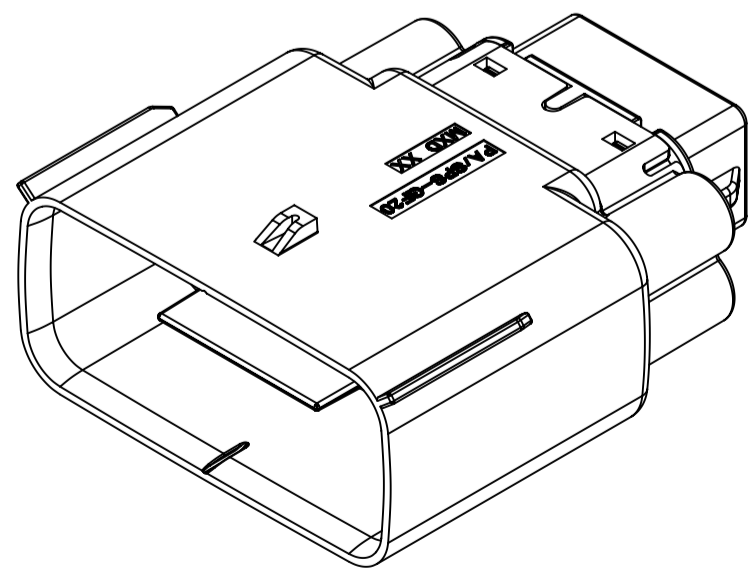
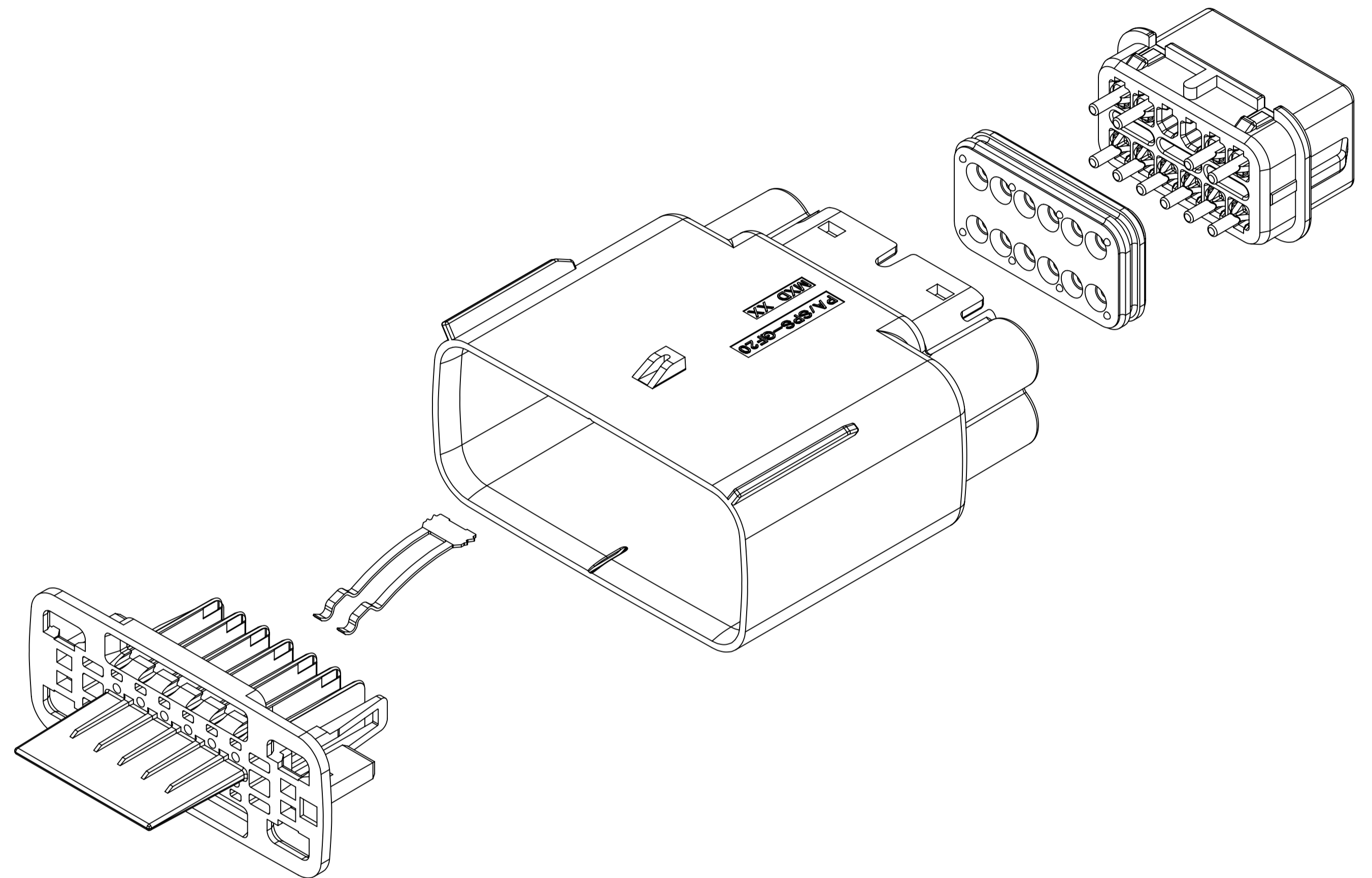
1. GENERAL:
- a. APPLICATION SPECIFICATION SEE: AS-33472-100
- CONTAINS: PRODUCT INTRODUCTION, PRODUCT SUMMARY, CONNECTOR ASSEMBLY, PACKAGING INFORMATION, CONNECTOR MATING, SERVICE INSTRUCTIONS, ELECTRICAL CONTINUITY CHECKING, CRIMPING, AND TROUBLESHOOTING.
  - DESIGNED TO MATE WITH RECEPTACLE SEALED ASSEMBLY AS SPECIFIED IN SD-34985-8001, SD-33476-161, OR SD-33476-181.
  - FOR SHORTING BAR APPLICATIONS RECEPTACLE SEALED ASSEMBLY CONFIGURATION MUST CONTAIN A PLR WITH SHORTING BAR LIFTER.
  - FOR 1.5mm BLADE TERMINALS TO BE USED WITH THE SHORTING BAR CIRCUIT LOCATIONS SEE MOLEX DRAWING SD-31296-001.
  - SHORTING BAR TERMINALS TO BE USED WITH WIRE DIAMETER RANGE OF 1.7mm TO 2.06mm.
  - SHORTING BAR TERMINAL CRIMP ANGLE MUST BE BETWEEN -1.4 DEG. AND +3.5 DEG. AFTER INSTALLATION INTO THE CONNECTOR ASSEMBLY. REFER TO MOLEX DRAWING SD-31296-001 FOR DETAILS.
  - FOR 1.5mm BLADE TERMINALS TO BE USED WITH THE NON-SHORTING BAR CIRCUIT LOCATIONS SEE MOLEX DRAWING SD-33000-001.
  - NON-SHORTING BAR TERMINALS TO BE USED WITH WIRE WITHIN DIAMETER RANGE OF 1.2mm TO 2.69mm.
  - FOR 2.8mm TERMINALS TO BE USED WITH THIS ASSEMBLY SEE TABLE.
  - 2.8mm TERMINALS TO BE USED WITH WIRE WITHIN DIAMETER RANGE OF 1.50mm TO 3.30mm.
  - ASSEMBLY SHIPPED WITH PLR IN PRE-LOCK POSITION (SEE PLR PRE-LOCK VIEW SHEET 4).
  - ASSEMBLY CONFORMS TO SAE-USCAR-2 REV.4 WITH THE FOLLOWING EXCEPTIONS:
    - TERMINAL INSERTION FORCE FOR WIRE DIAMETER ABOVE 2.5mm NOT EXCEEDING 2.69mm SHALL NOT EXCEED 45 NEWTONS.
    - PLR REMOVAL FROM FINAL-LOCK TO PRE-LOCK SHALL NOT EXCEED 75 NEWTONS.
- b. PRODUCT SPECIFICATION SEE: PS-33476-000
- CONTAINS: PRODUCT INTRODUCTION, PRODUCT SUMMARY, RATINGS (CURRENT, TEMPERATURE, SEALING, AND FLAMMABILITY), TERMINALS, WIRE DIAMETER RANGE, PRODUCT VALIDATION, AND PRODUCT DEVIATIONS.
- c. PACKAGING SPECIFICATION PER MOLEX DRAWING: PK-31300-514
- d. PARTS MUST BE IN COMPLIANCE TO MOLEX CHEMICAL SUBSTANCES FOR PRODUCTS AND PACKAGING SPECIFICATION: QEHS-699000-300
- e. DATA MUST BE SUBMITTED UNDER THE MOLEX PART NUMBER TO IMDS (COMPANY ID#13255)

2. DESIGN - MATERIALS:

- a. SEE BOM TABLE IN SD-34986-8002

3. DESIGN - GEOMETRY:

- a. THE 3-D CAD DATA IS BASIC (WITHOUT TOLERANCE) AND MASTER FOR THIS PART WITH THE EXCEPTION OF UNDERLINED DIMENSIONS. DIMENSIONAL INFORMATION NOT SHOWN ON THIS DRAWING IS DEFINED BY THE DATA FILE AT ITS LATEST REVISION.
- b. GEOMETRIC DIMENSIONS AND TOLERANCES PER ASME Y14.5M-2009
- c. EDGES AND UNDIMENSIONED DETAILS PER ISO13715
- d. CORNERS SHOWN AS SHARP TO BE R 0.2 MAX.
- e. LETTERING SHALL BE 0.15 MAX RAISED IN 0.25 MAX RECESS PAD. THIS INCLUDES RECYCLING CODE, CAVITY ID, VENDOR IDENTIFICATION, AND CUSTOMER MATERIAL NUMBER.
- f. VISUAL DEFECTS SHALL MEET COSMETIC STANDARD PS-45499-002 (Class B).
- g. LASER MARKING:
- PART NUMBER
  - DAY OF THE YEAR
  - SHIFT
  - YEAR
- FOR ADDITIONAL INFORMATION SEE SECTION 5 UNDER PROCEDURES IN ES-34735-008.



| TYCO 2.8mm CABLE SEAL TERMINAL |           |
|--------------------------------|-----------|
| FORD P/N MALE BLADE            | GRIP SIZE |
| 3F2T-14421-GA                  | 12        |
| IFIT-14421-JA                  | 14        |
| IFIT-14421-HA                  | 16        |
| IFIT-14421-GA                  | 18        |
| IFIT-14421-FA                  | 20        |
| IFIT-14421-EA                  | 22        |

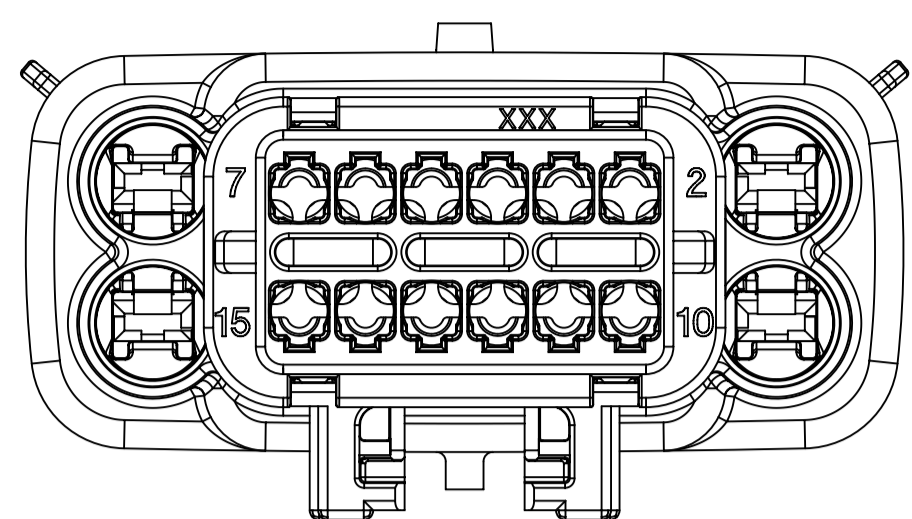
| INSPECTION NUMBER LOG |   |
|-----------------------|---|
| REV                   | REV DESCRIPTION   |
| C1                    | 1. UPDATED THE VIEWS IN SHEET 2<br>2. CHANGED THE DIM 15.00+/-0.10 TO 15.00+0.30/-0.20 IN SHEET 4 |
| C                     | REDRAWN<br>MOVED BOM TO SD-34986-8002   |

|  |  |   |  |
|--|--|---|--|
| <b>SYMBOLS</b><br>THIS DRAWING CONTAINS INFORMATION THAT IS PROPRIETARY TO MOLEX ELECTRONIC TECHNOLOGIES, LLC AND SHOULD NOT BE USED WITHOUT WRITTEN PERMISSION<br>DIMENSION UNITS: <b>mm</b> SCALE: <b>1.5:1</b><br>GENERAL TOLERANCES (UNLESS SPECIFIED)<br>ANGULAR TOL: ± 3.0°<br>4 PLACES ±<br>3 PLACES ±<br>2 PLACES ± 0.1<br>1 PLACE ± 0.3<br>0 PLACES ±<br>DRAFT WHERE APPLICABLE MUST REMAIN WITHIN DIMENSIONS<br>THIRD ANGLE PROJECTION | <b>CURRENT REV DESC:</b><br>EC NO: 177763<br>DRWN: LSONG05 2018/05/30<br>CHK'D: MVANSLAMBROU 2018/06/12<br>APPR: MVANSLAMBROU 2018/06/12<br>INITIAL REVISION:<br>DRWN: APROFFITT 2013/05/06<br>APPR: VKOSHY 2013/05/16 |   | <br><b>MX150 16 WAY HYBRID BLADE SEALED ASSEMBLY</b><br>PRODUCT CUSTOMER DRAWING |
|  | DOCUMENT NUMBER: <b>SD-34986-8001</b><br>DOC TYPE: PSD<br>DOC PART: 001<br>REVISION: <b>C1</b>   | MATERIAL NUMBER: <b>34986</b><br>CUSTOMER: <b>GENERAL MARKET</b><br>SHEET NUMBER: <b>1 OF 5</b> |  |

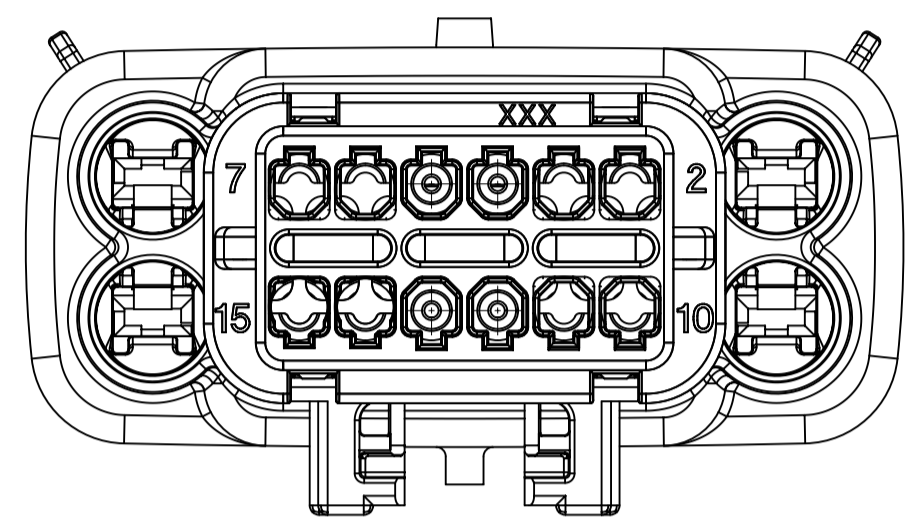


# SHEET DESCRIPTION

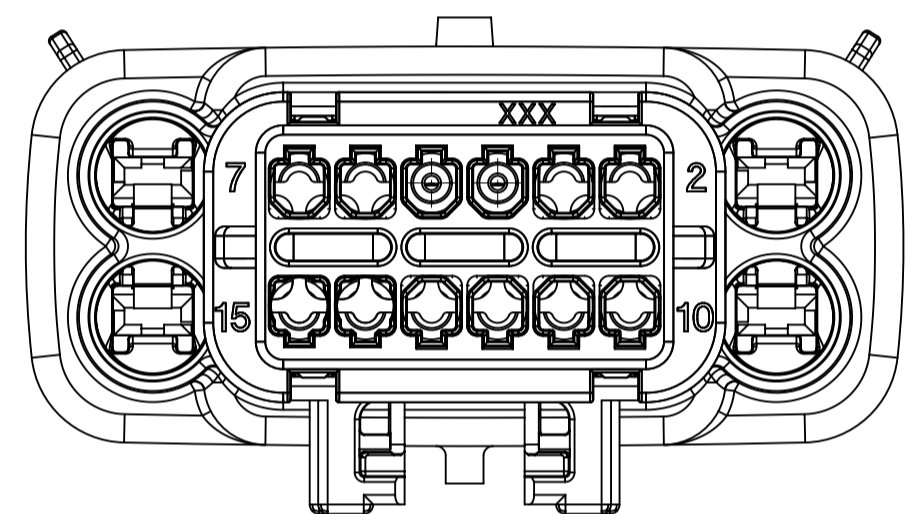
## CONFIGURATIONS



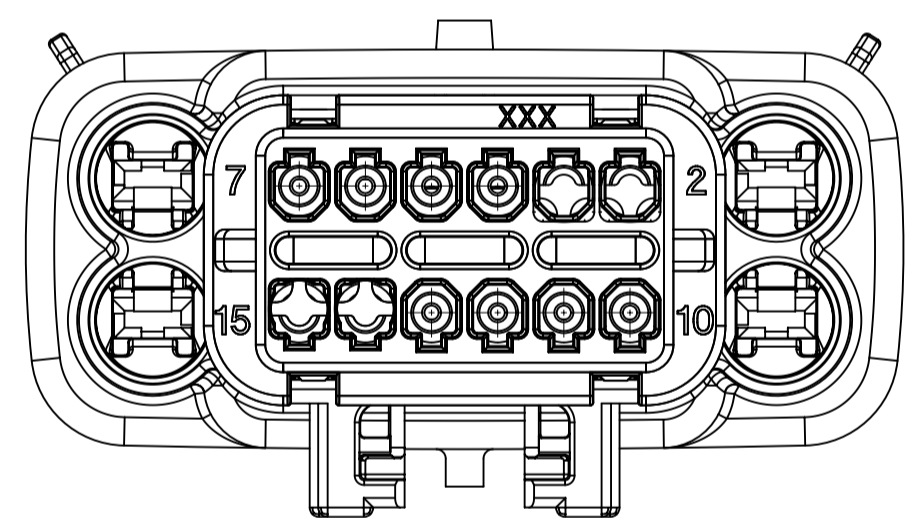
STANDARD GROMMET CAP



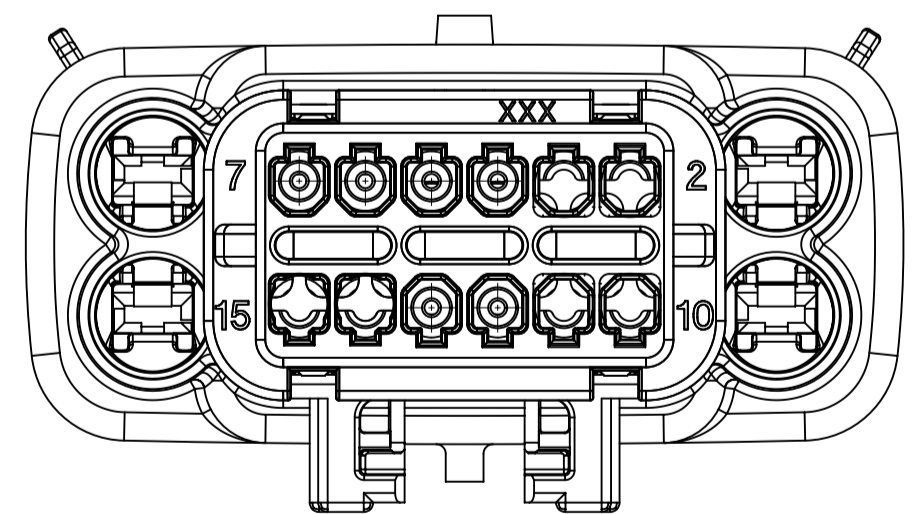
SHORTING BAR GROMMET CAP 1



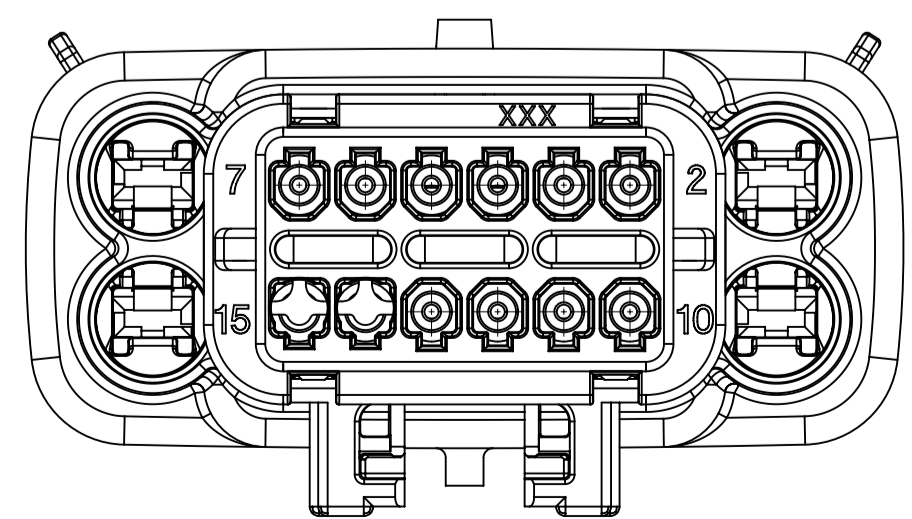
SHORTING BAR GROMMET CAP 2



SHORTING BAR GROMMET CAP 3



SHORTING BAR GROMMET CAP 4

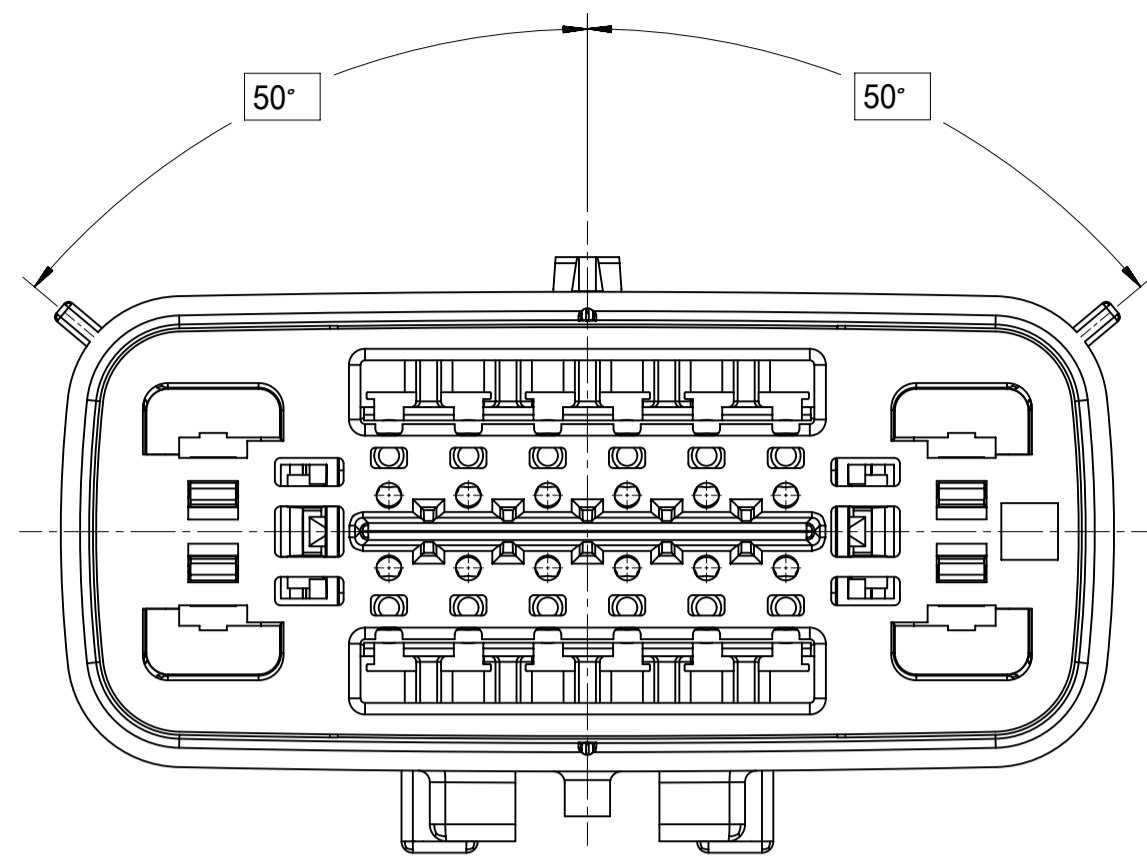


SHORTING BAR GROMMET CAP 5

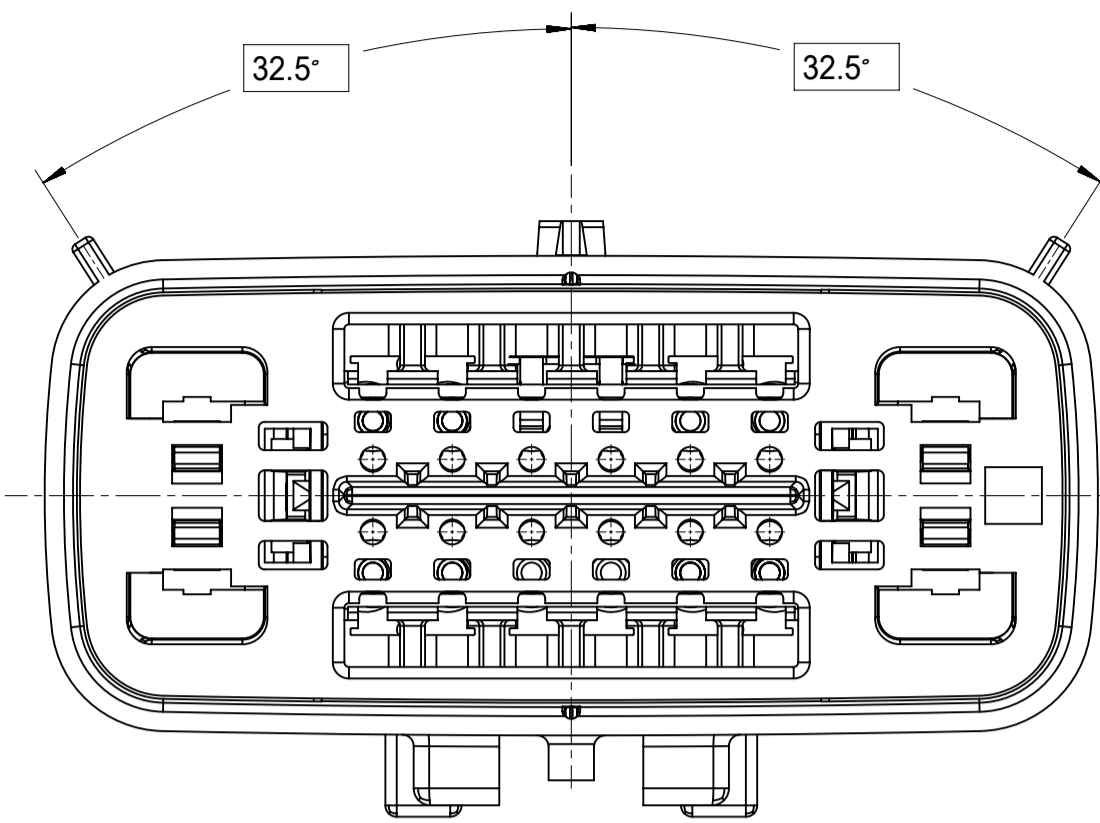
|         |   |       |  |  |                        |                 |                          |                 |
|---------|---|-------|--|--|------------------------|-----------------|--------------------------|-----------------|
| SYMBOLS | THIS DRAWING CONTAINS INFORMATION THAT IS PROPRIETARY TO MOLEX ELECTRONIC TECHNOLOGIES, LLC AND SHOULD NOT BE USED WITHOUT WRITTEN PERMISSION |       | CURRENT REV DESC:                                    |  |                        |                 |                          |                 |
|         | DIMENSION UNITS   | SCALE |  |  |                        |                 |                          | EC NO: 177763   |
| ▽ = 0   | mm  | 2.5:1 | GENERAL TOLERANCES (UNLESS SPECIFIED)                |  | CHK'D: MVANSLAMBROU    | 2018/06/12      | PRODUCT CUSTOMER DRAWING |                 |
| ▽ = 0   | ANGULAR TOL ± 3.0°  |       | APPR: MVANSLAMBROU                                   |  | 2018/06/12             | DOCUMENT NUMBER |                          |                 |
| ▽ = 0   | 4 PLACES ±  |       | INITIAL REVISION:                                    |  | DRWN: APROFFITT        | 2013/05/06      | SD-34986-8001            |                 |
| ▽ = 0   | 3 PLACES ±  |       | APPR: VKOSHY   |  | 2013/05/16             | DOC TYPE        |                          |                 |
| ▽ = 0   | 2 PLACES ± 0.1  |       | DRWN: APROFFITT                                      |  | 2013/05/06             | PSD             | 001                      |                 |
| ▽ = 0   | 1 PLACE ± 0.3   |       | APPR: VKOSHY   |  | 2013/05/16             |                 |                          | C1              |
| ▽ = 0   | 0 PLACES ±  |       | DRAFT WHERE APPLICABLE MUST REMAIN WITHIN DIMENSIONS |  | THIRD ANGLE PROJECTION | DRAWING         | SERIES                   |                 |
| ▽ = 0   |   |       |  |  |                        | A1-SIZE         | 34986                    | MATERIAL NUMBER |
| ▽ = 0   |   |       |  |  |                        |                 |                          | CUSTOMER        |
| ▽ = 0   |   |       |  |  |                        |                 |                          | GENERAL MARKET  |
| ▽ = 0   |   |       |  |  |                        |                 |                          | SHEET NUMBER    |
| ▽ = 0   |   |       |  |  |                        |                 |                          | 2 OF 5          |

# SHEET DESCRIPTION

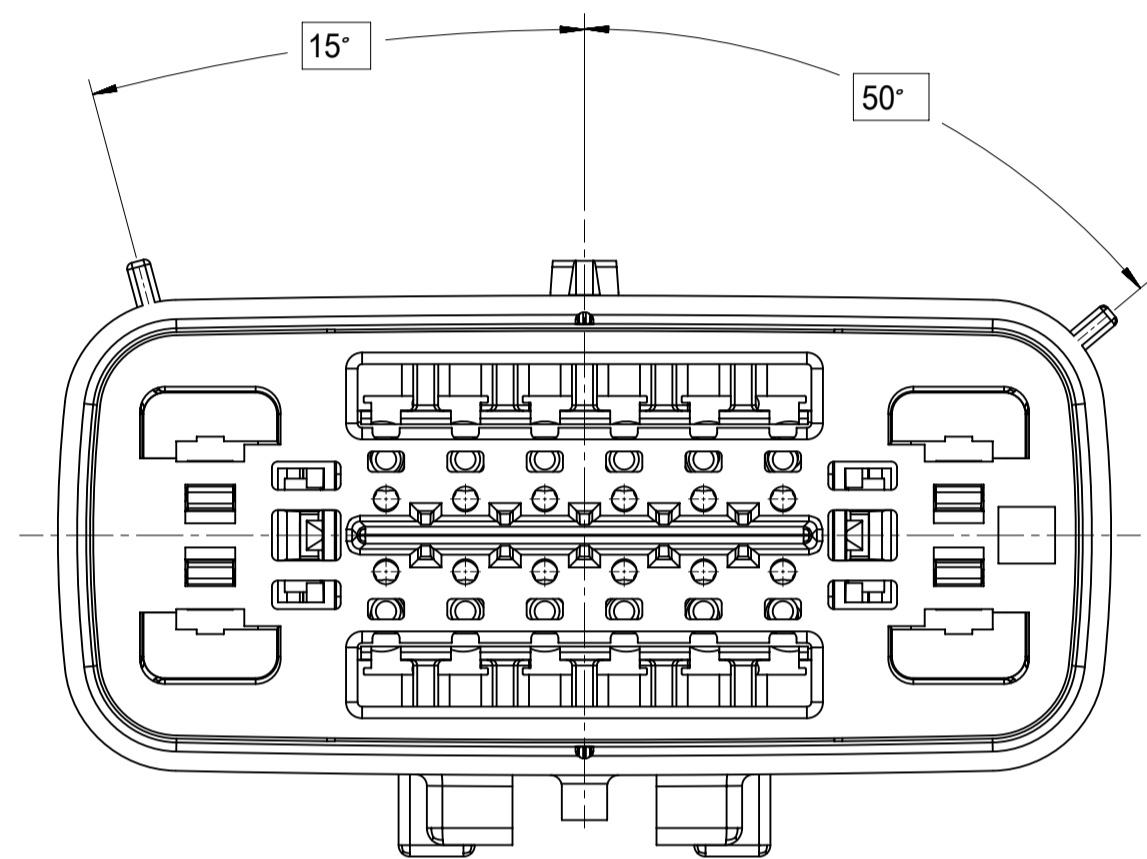
## KEY CONFIGURATIONS



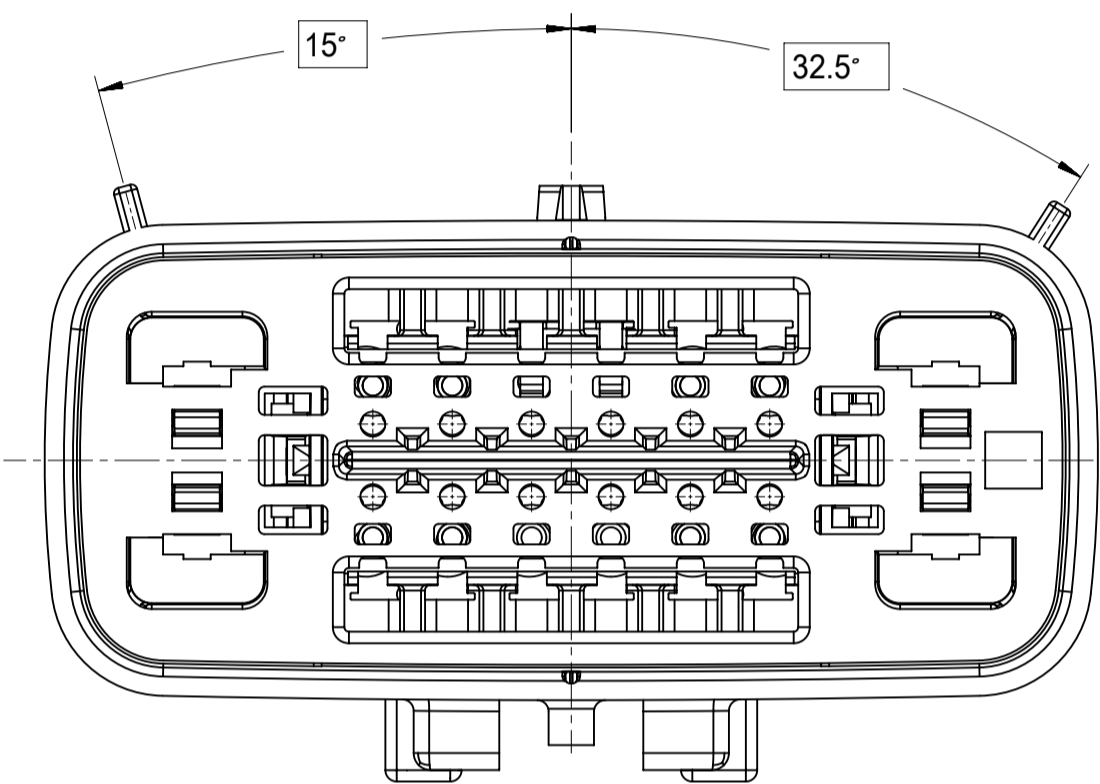
KEY A



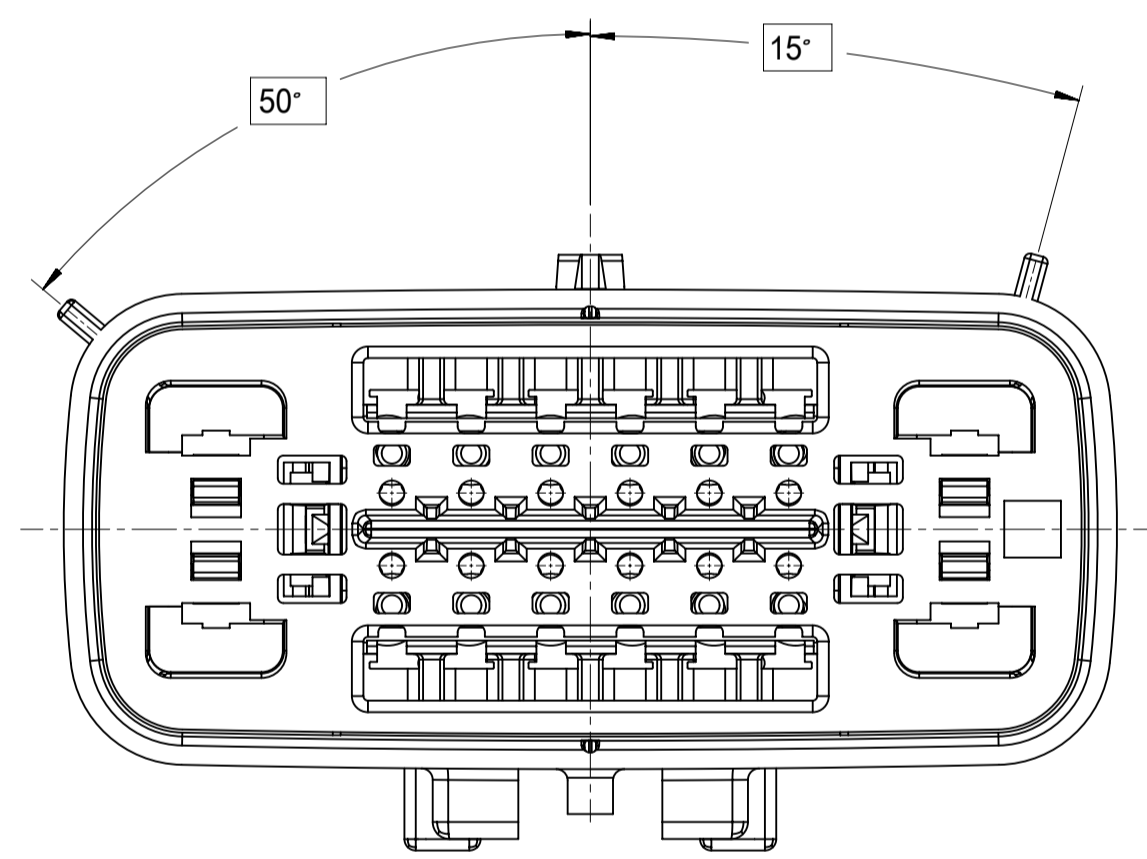
KEY E



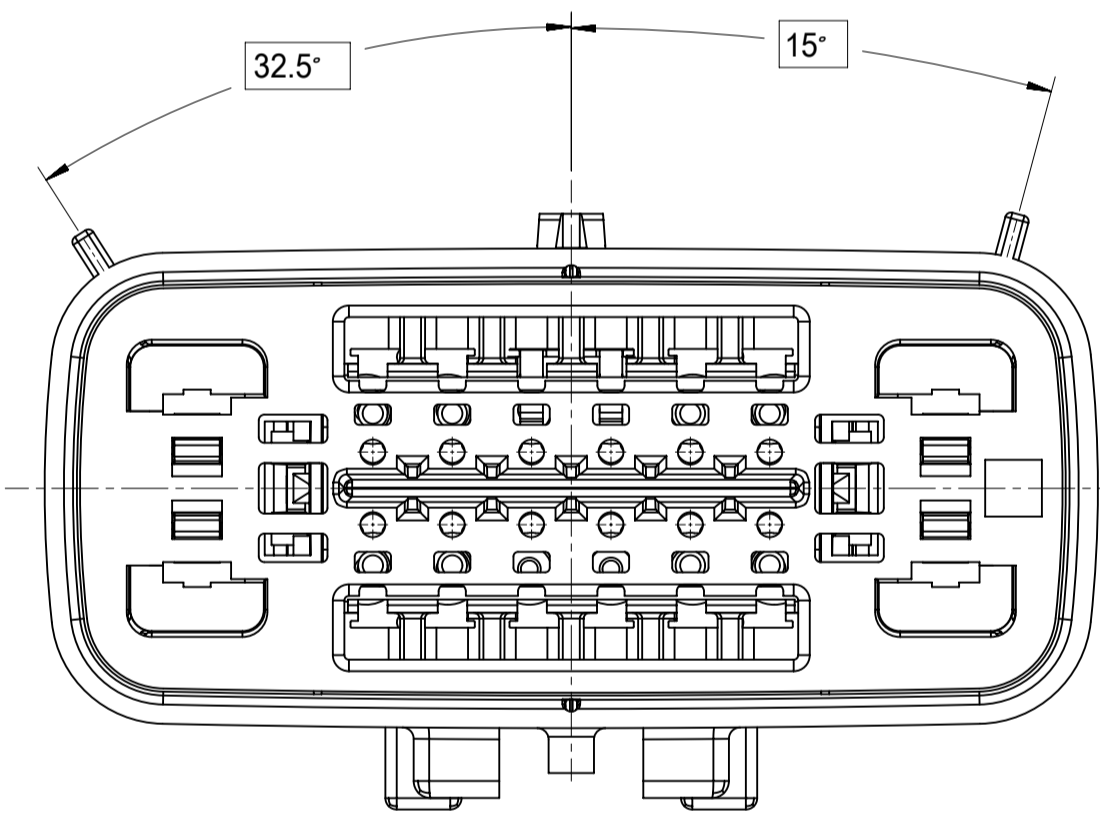
KEY B



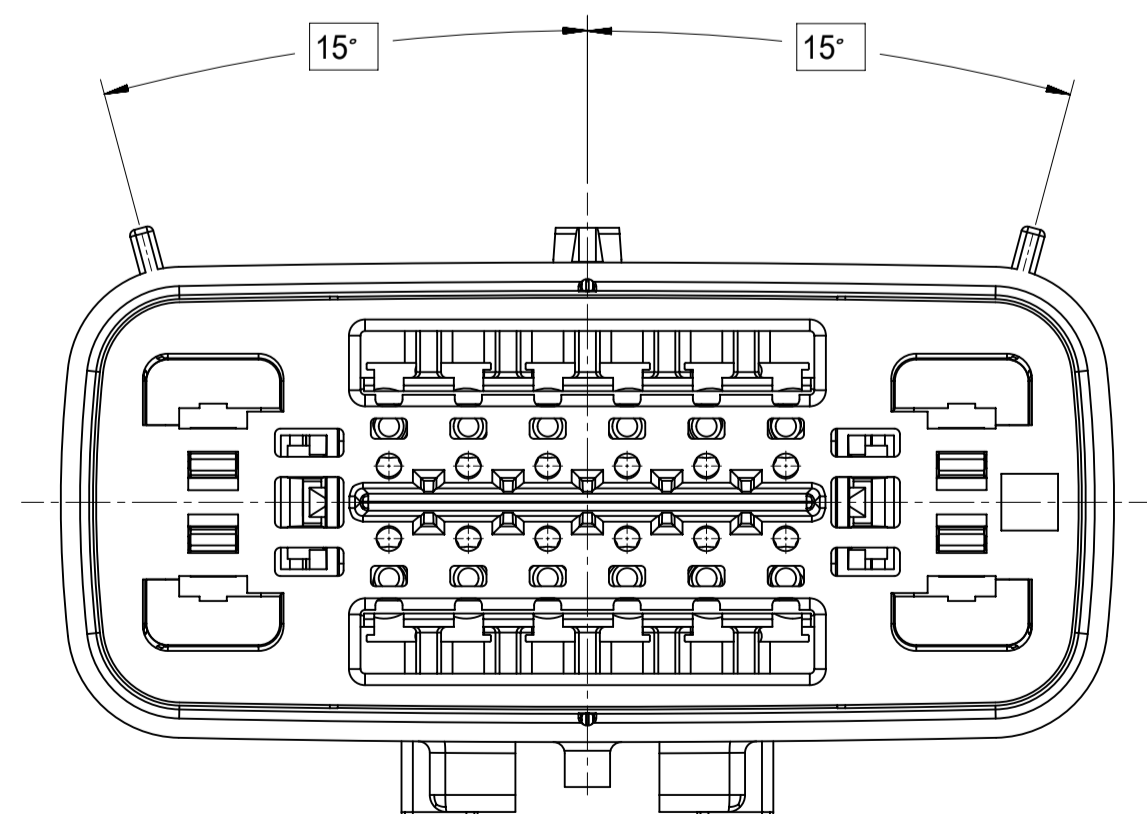
KEY F



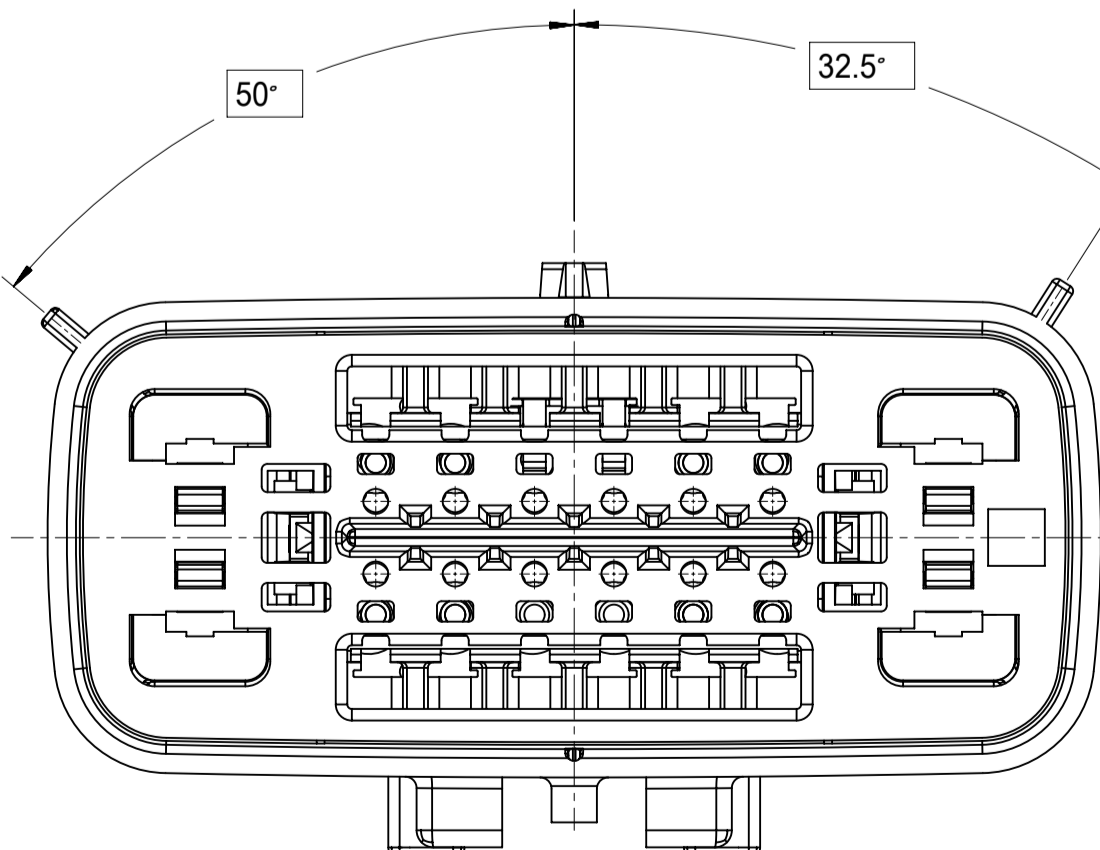
KEY C



KEY G



KEY D



KEY H

|                 |   |                |                                |                     |
|-----------------|---|----------------|--------------------------------|---------------------|
| SYMBOLS         | THIS DRAWING CONTAINS INFORMATION THAT IS PROPRIETARY TO MOLEX ELECTRONIC TECHNOLOGIES, LLC AND SHOULD NOT BE USED WITHOUT WRITTEN PERMISSION |                | CURRENT REV DESC:              |                     |
|                 | DIMENSION UNITS   | SCALE          |                                |                     |
| ▽ = 0           | mm  | 3:1            |                                |                     |
| ▽ = 0           | GENERAL TOLERANCES (UNLESS SPECIFIED)   |                |                                |                     |
| ▽ = 0           | ANGULAR TOL ± 3.0°  |                |                                |                     |
| ▽ = 0           | 4 PLACES  | ±              | EC NO: 177763                  |                     |
| ▽ = 0           | 3 PLACES  | ±              | DRWN: LSONG05 2018/05/30       |                     |
| ▽ = 0           | 2 PLACES  | ± 0.1          | CHK'D: MVANSLAMBROU 2018/06/12 |                     |
| ▽ = 0           | 1 PLACE   | ± 0.3          | APPR: MVANSLAMBROU 2018/06/12  |                     |
| ▽ = 0           | 0 PLACES  | ±              | INITIAL REVISION:              |                     |
| ⊠ = 0           | DRAFT WHERE APPLICABLE MUST REMAIN WITHIN DIMENSIONS  |                | THIRD ANGLE PROJECTION         |                     |
| ▽ = 0           |   |                | DRAWING                        | SERIES              |
|                 |   | A1-SIZE        |                                | 34986               |
| DOCUMENT STATUS |   | P1             | RELEASE DATE                   | 2018/06/12 12:37:30 |
| DOCUMENT NUMBER |   | DOC TYPE       |                                | DOC PART            |
| SD-34986-8001   |   | PSD            |                                | 001                 |
| MATERIAL NUMBER |   | CUSTOMER       |                                | SHEET NUMBER        |
|                 |   | GENERAL MARKET |                                | 3 OF 5              |

**molex**

MX150 16 WAY HYBRID  
BLADE SEALED ASSEMBLY

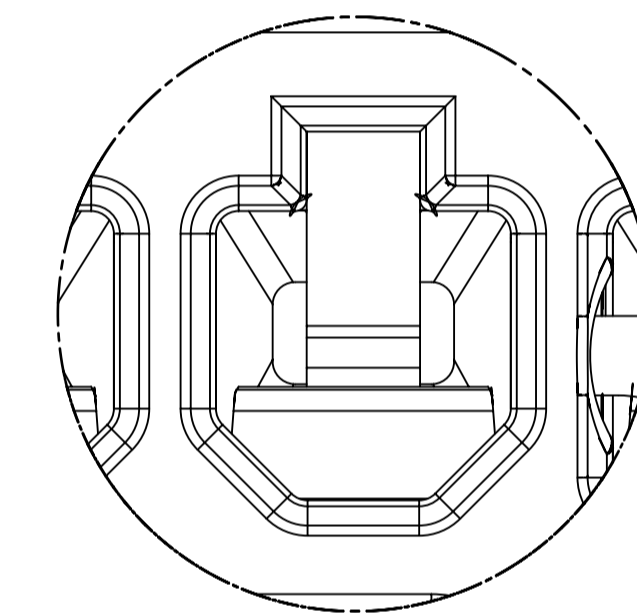
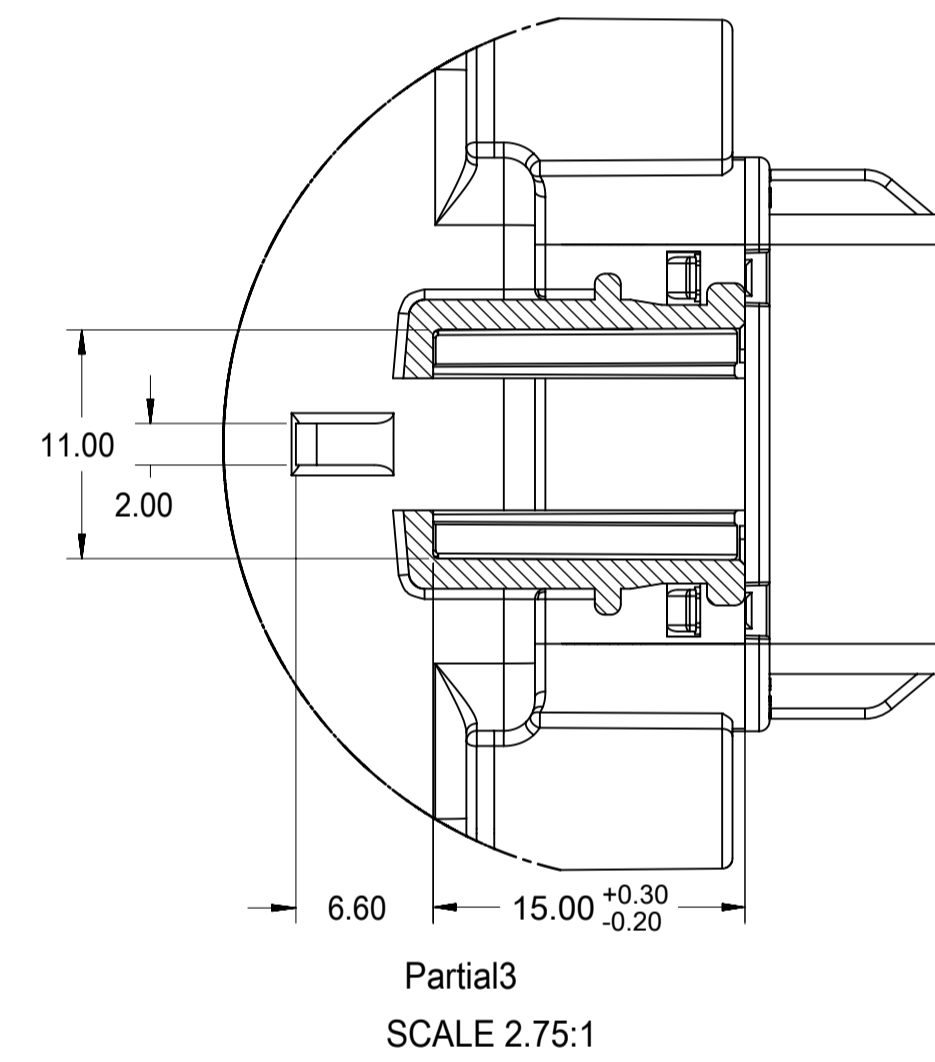
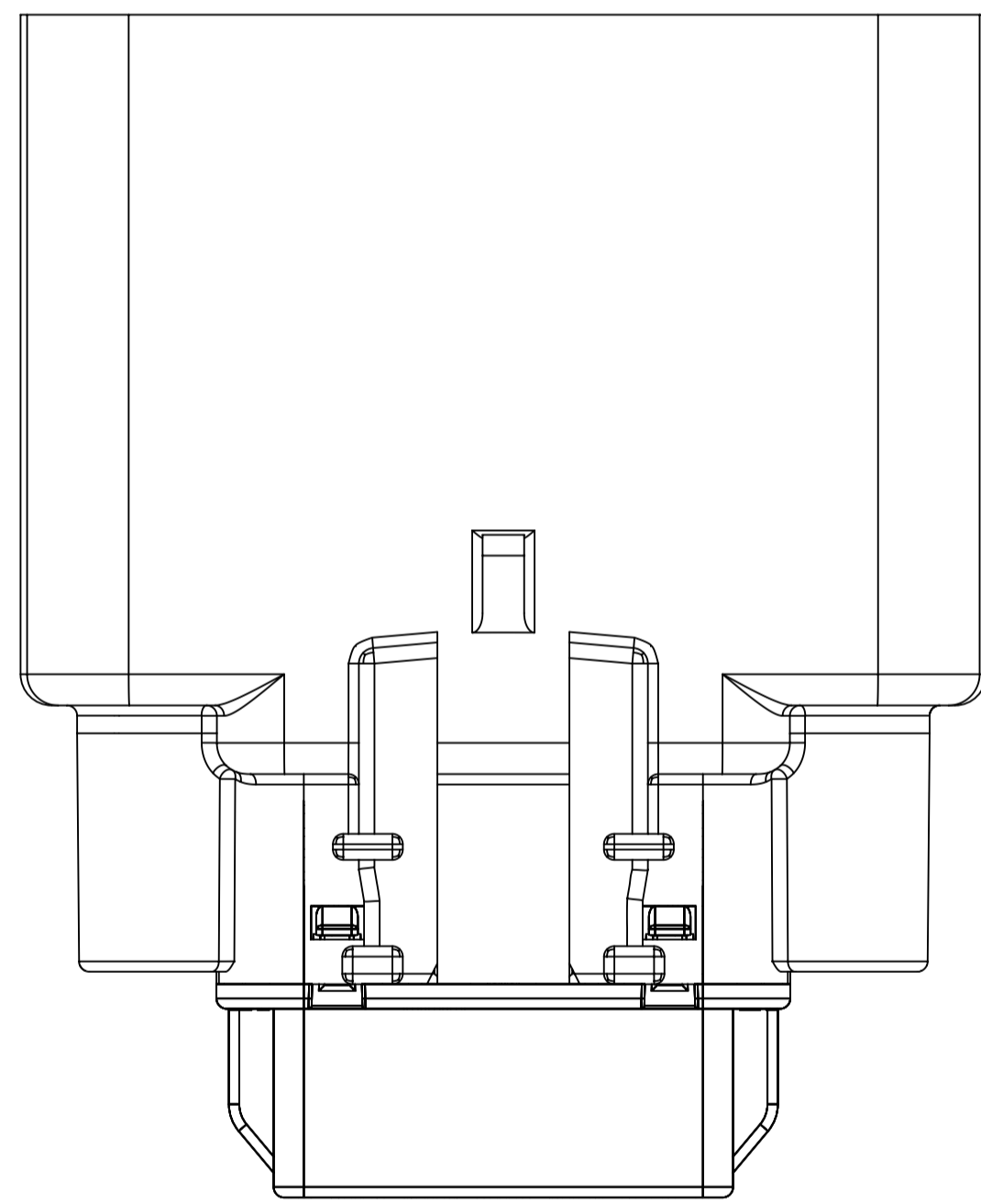
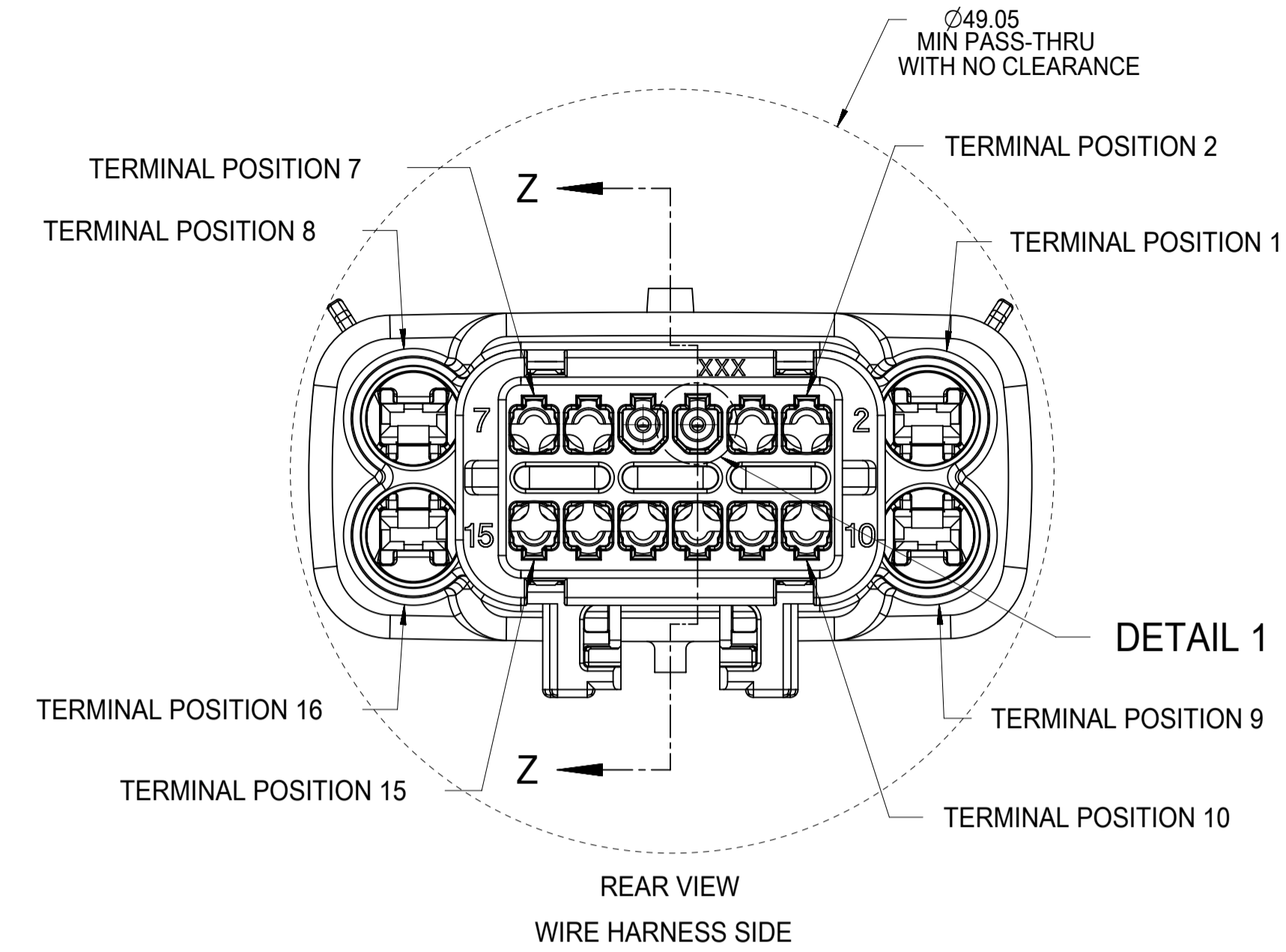
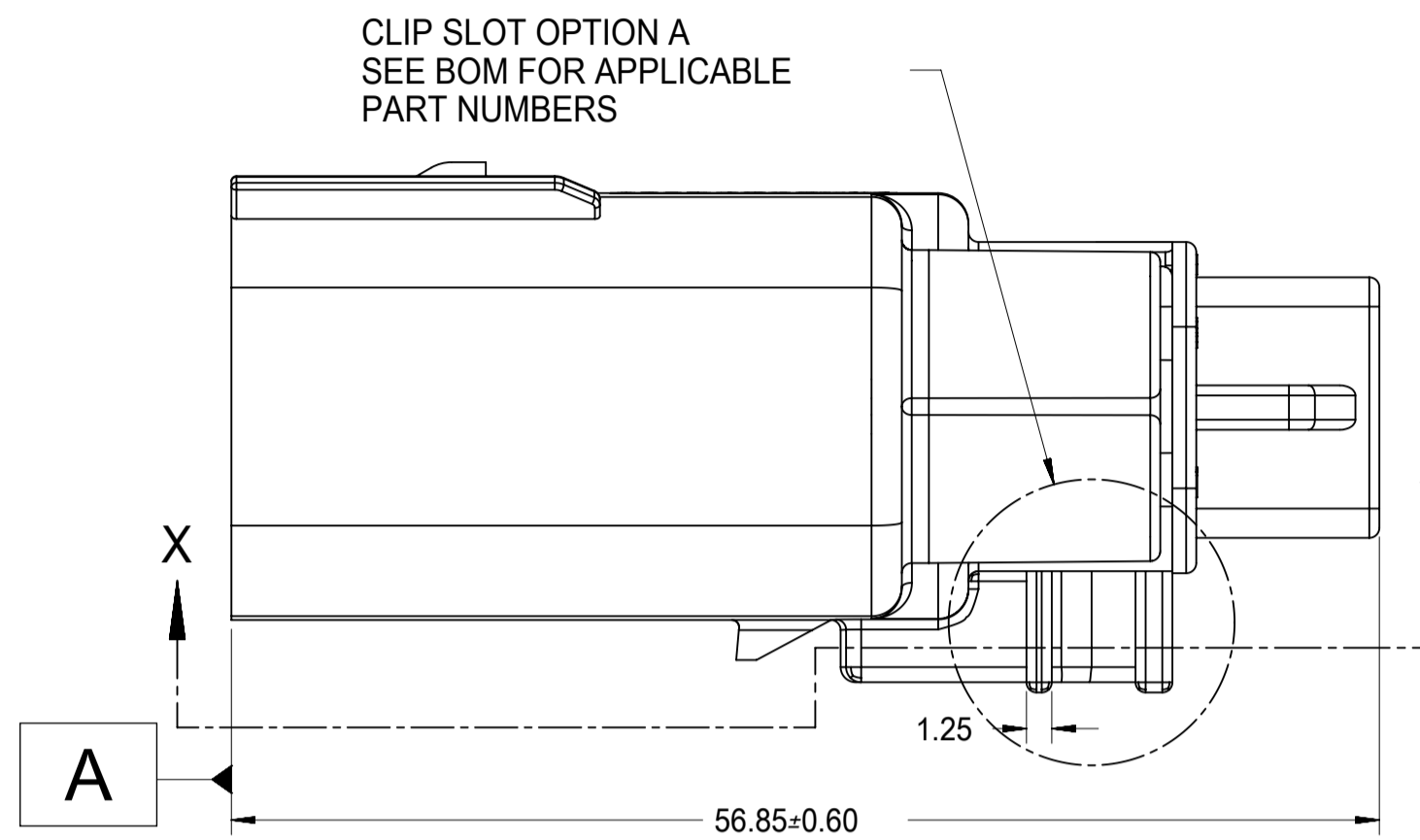
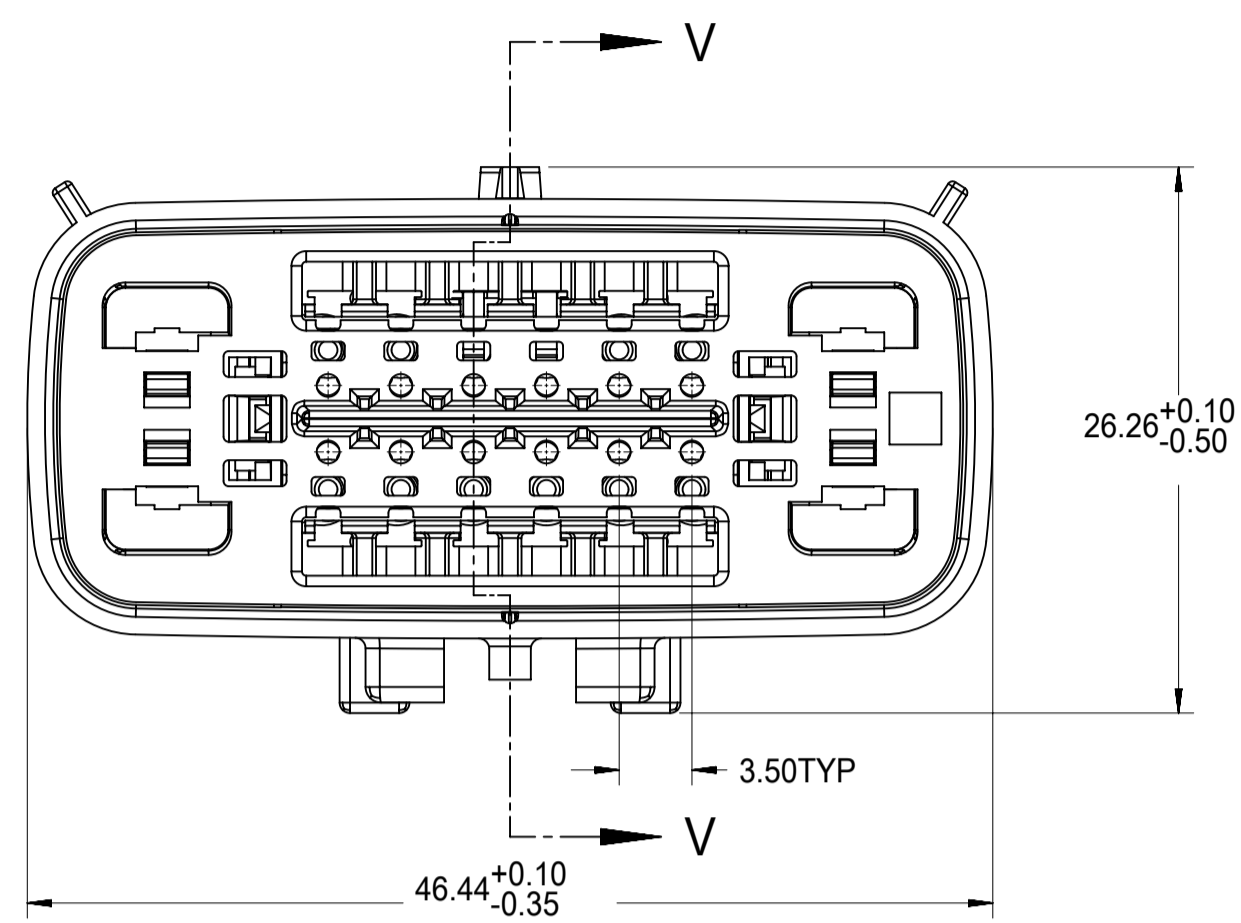
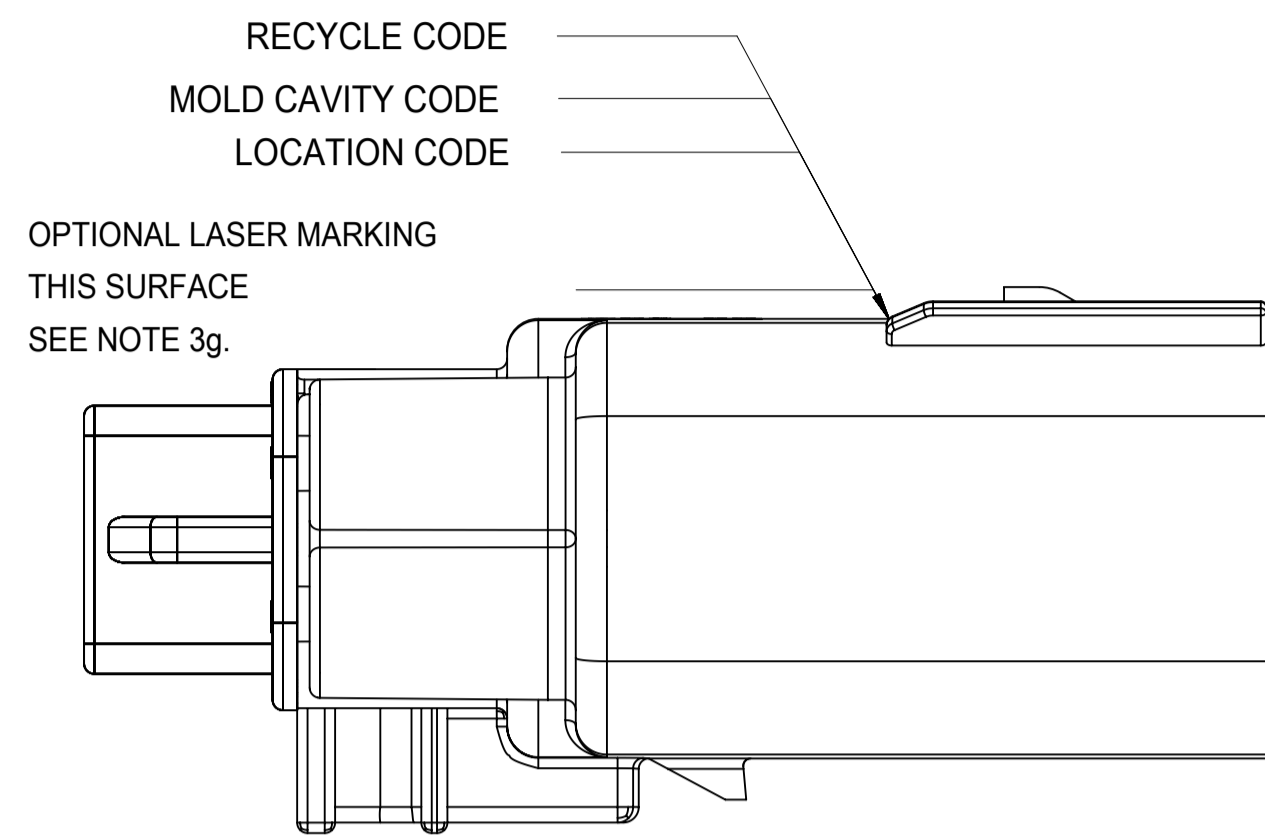
PRODUCT CUSTOMER DRAWING

SD-34986-8001 PSD 001 C1

GENERAL MARKET 3 OF 5

# SHEET DESCRIPTION

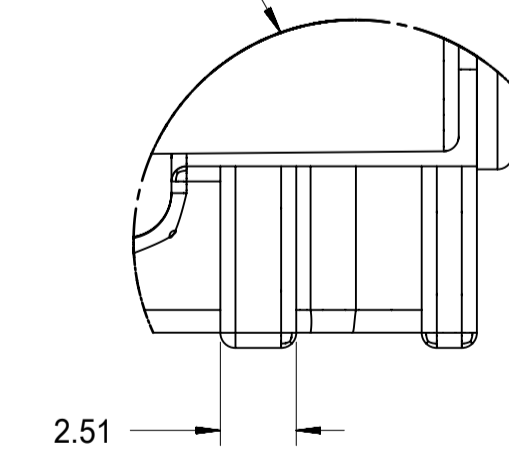
BLADE SEALED ASSEMBLY



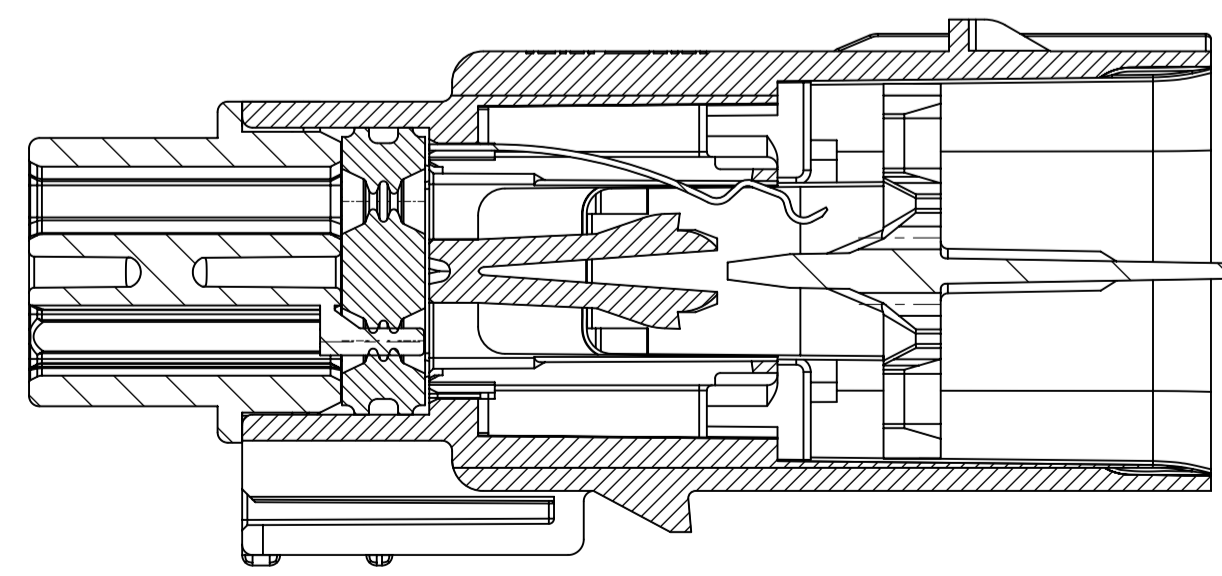
SHORTING BAR (SB) CIRCUITS ARE IDENTIFIED BY THE GROMMET CAP OPENING FEATURE SHOWN ABOVE.

DETAIL 1  
SCALE 15:1

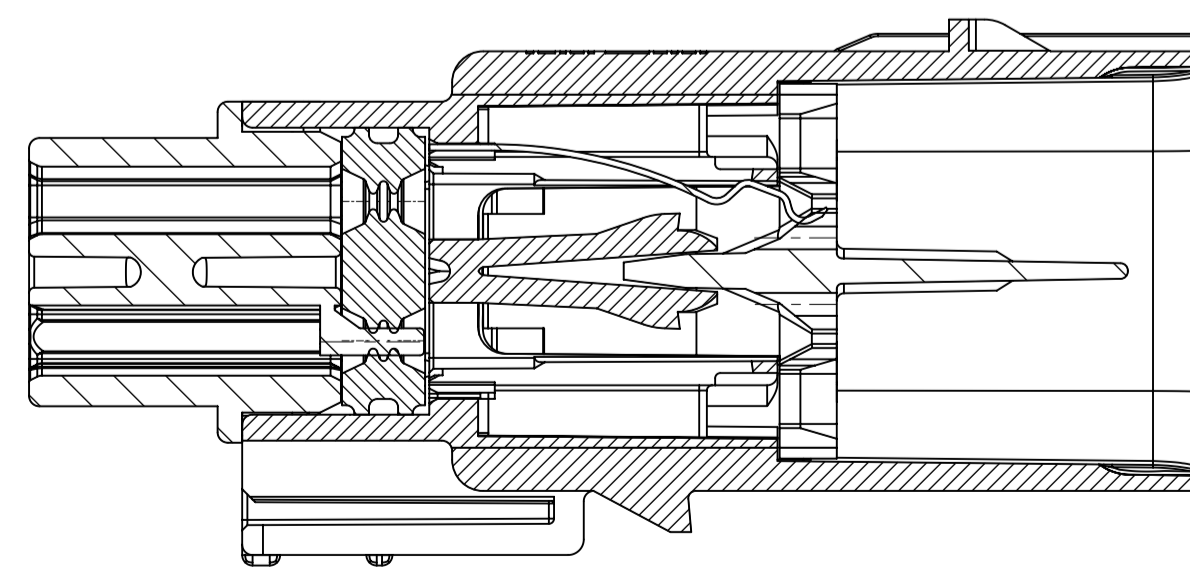
CLIP SLOT OPTION B  
SEE BOM FOR APPLICABLE  
PART NUMBERS



Partial1  
SCALE 4:1



PRIMARY LOCK REINFORCEMENT (PLR) SHOWN  
IN PRE-STAGED POSITION  
SECTION Z-Z



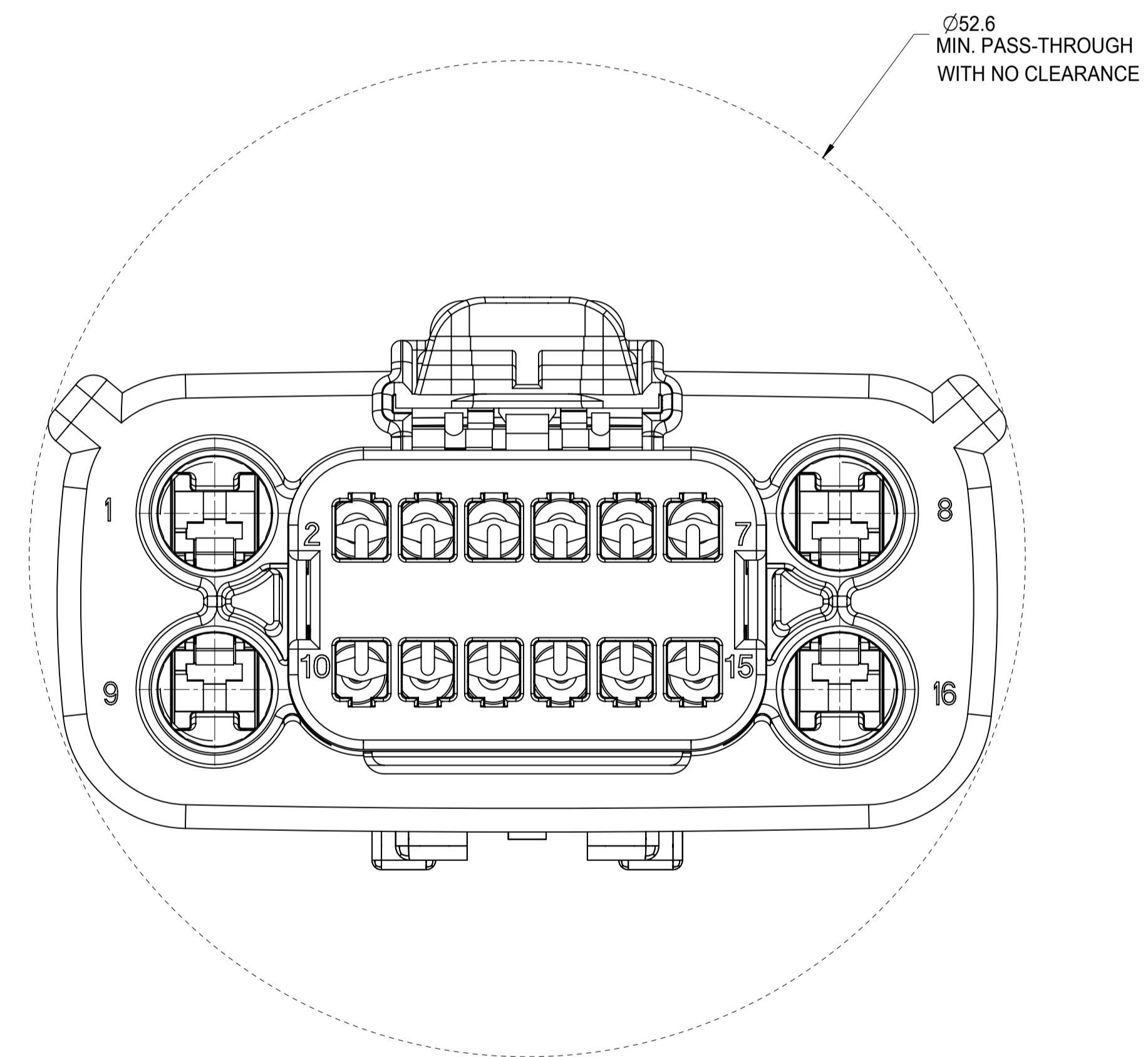
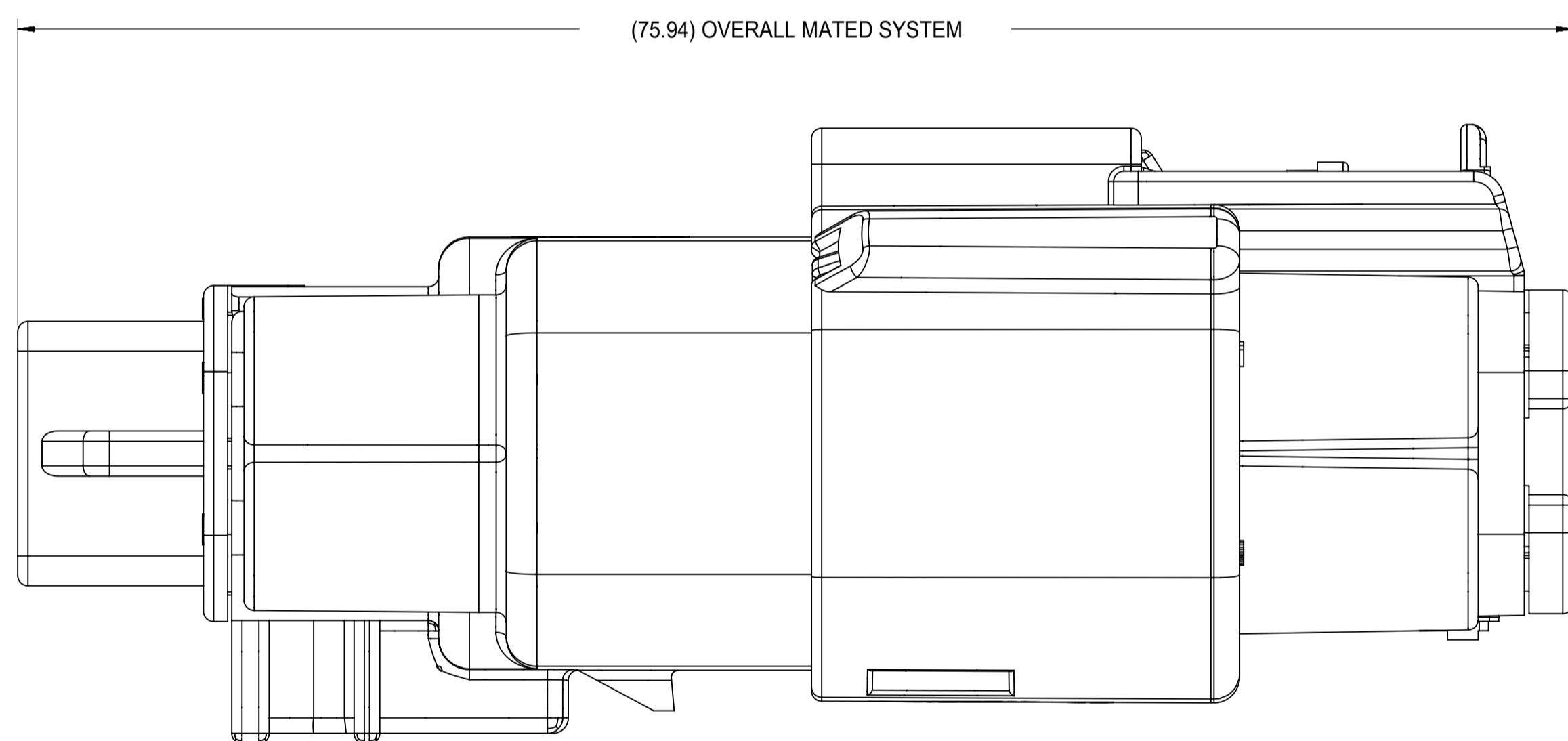
PRIMARY LOCK REINFORCEMENT (PLR) SHOWN  
IN FINAL-LOCK POSITION  
SECTION V-V

| SYMBOLS   |                                       | THIS DRAWING CONTAINS INFORMATION THAT IS PROPRIETARY TO MOLEX ELECTRONIC TECHNOLOGIES, LLC AND SHOULD NOT BE USED WITHOUT WRITTEN PERMISSION |  | CURRENT REV DESC: |         |  |  |  |  |
|-----------|---------------------------------------|---|--|-------------------|---------|--|--|--|--|
| DIMENSION | UNITS                                 | SCALE   |  |                   |         |  |  |  |  |
| ▽ = 0     | mm                                    | 3:1   | EC NO: 177763  |                   |         | <b>MX150 16 WAY HYBRID<br/>BLADE SEALED ASSEMBLY</b> |  |  |  |
| ▽ = 0     | GENERAL TOLERANCES (UNLESS SPECIFIED) |   | DRWN: LSONG05 2018/05/30                             |                   |         |  |  |  |  |
| ▽ = 0     | ANGULAR TOL ± 3.0°                    |   | CHK'D: MVANSLAMBROU 2018/06/12                       |                   |         | <b>PRODUCT CUSTOMER DRAWING</b>                      |  |  |  |
| ▽ = 0     | 4 PLACES                              | ±   | APPR: MVANSLAMBROU 2018/06/12                        |                   |         |  |  |  |  |
| ▽ = 0     | 3 PLACES                              | ±   | INITIAL REVISION:                                    |                   |         | DOCUMENT NUMBER<br><b>SD-34986-8001</b>              |  |  |  |
| ▽ = 0     | 2 PLACES                              | ± 0.1   | DRWN: APROFFITT 2013/05/06                           |                   |         |  |  |  | DOC TYPE   DOC PART   REVISION<br>PSD   001   C1 |
| ▽ = 0     | 1 PLACE                               | ± 0.3   | APPR: VKOSHY 2013/05/16                              |                   |         | MATERIAL NUMBER<br>CUSTOMER<br>GENERAL MARKET        |  |  |  |
| ▽ = 0     | 0 PLACES                              | ±   | DRAFT WHERE APPLICABLE MUST REMAIN WITHIN DIMENSIONS |                   |         |  |  |  | SHEET NUMBER<br>4 OF 5                           |
| ▽ = 0     |                                       |   | THIRD ANGLE PROJECTION                               | DRAWING           | SERIES  |  |  |  |  |
|           |                                       |   |  |                   | A1-SIZE | 34986  |  |  |  |



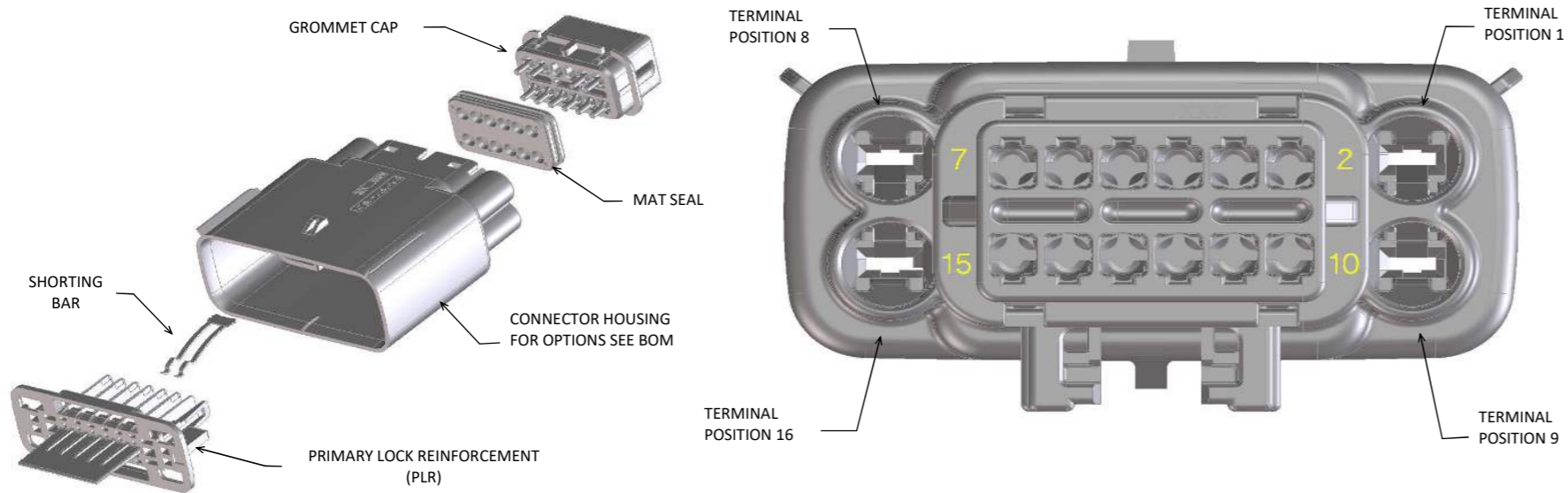
# SHEET DESCRIPTION

SYSTEM PACKAGING



| SYMBOLS |  | THIS DRAWING CONTAINS INFORMATION THAT IS PROPRIETARY TO MOLEX ELECTRONIC TECHNOLOGIES, LLC AND SHOULD NOT BE USED WITHOUT WRITTEN PERMISSION |                                | CURRENT REV DESC: |                          | molex  |                                |
|---------|--|---|--------------------------------|-------------------|--------------------------|--|--------------------------------|
| ▽ = 0   | DIMENSION UNITS  | mm  | SCALE                          | 3:1               |                          | MX150 16 WAY HYBRID<br>BLADE SEALED ASSEMBLY |                                |
| ▽ = 0   | GENERAL TOLERANCES<br>(UNLESS SPECIFIED)                   |   | EC NO: 177763                  |                   | PRODUCT CUSTOMER DRAWING |  |                                |
| ▽ = 0   | ANGULAR TOL ± 3.0°   |   | DRWN: LSONG05 2018/05/30       |                   | DOCUMENT NUMBER          |  | DOC TYPE   DOC PART   REVISION |
| ▽ = 0   | 4 PLACES   | ±   | CHK'D: MVANSLAMBROU 2018/06/12 |                   | SD-34986-8001            |  | PSD   001   C1                 |
| ▽ = 0   | 3 PLACES   | ±   | APPR: MVANSLAMBROU 2018/06/12  |                   | MATERIAL NUMBER          |  | CUSTOMER                       |
| ▽ = 0   | 2 PLACES   | ± 0.1   | INITIAL REVISION:              |                   | GENERAL MARKET           |  | SHEET NUMBER                   |
| ▽ = 0   | 1 PLACE  | ± 0.3   | DRWN: APROFFITT 2013/05/06     |                   | SERIES                   |  |                                |
| ▽ = 0   | 0 PLACES   | ±   | APPR: VKOSHY 2013/05/16        |                   | DRAWING                  |  |                                |
| ▽ = 0   | DRAFT WHERE APPLICABLE<br>MUST REMAIN<br>WITHIN DIMENSIONS |   | THIRD ANGLE PROJECTION         |                   | A1-SIZE                  |  |                                |
| ▽ = 0   |  |   |                                |                   | 34986                    |  |                                |

MX150 16 WAY HYBRID BLADE SEALED ASSEMBLY MAT SEAL (2.8mm CAVITIES OPEN)  
BOM AND PIN OUT SHEET



| ABBREVIATION | DESCRIPTION                | COLOR      | MATERIAL                       |
|--------------|----------------------------|------------|--------------------------------|
| A-BLK        | HOUSING, KEYING OPTION A   | BLACK      | SPS/NYLON GF20                 |
| B-LG         | HOUSING, KEYING OPTION B   | LIGHT GRAY | SPS/NYLON GF20                 |
| C-BR         | HOUSING, KEYING OPTION C   | BROWN      | SPS/NYLON GF20                 |
| D-GR         | HOUSING, KEYING OPTION D   | GREEN      | SPS/NYLON GF20                 |
| A-YW         | HOUSING, KEYING OPTION A   | YELLOW     | SPS/NYLON GF20                 |
| C-DG         | HOUSING, KEYING OPTION C   | DARK GRAY  | SPS/NYLON GF20                 |
| D-SG         | HOUSING, KEYING OPTION D   | STONE GRAY | SPS/NYLON GF20                 |
| E-BLK        | HOUSING, KEYING OPTION E   | BLACK      | SPS/NYLON GF20                 |
| F-LG         | HOUSING, KEYING OPTION F*  | LIGHT GRAY | SPS/NYLON GF20                 |
| G-BR         | HOUSING, KEYING OPTION G   | BROWN      | SPS/NYLON GF20                 |
| H-YW         | HOUSING, KEYING OPTION H   | YELLOW     | SPS/NYLON GF20                 |
| GC-S         | STANDARD GROMMET CAP       | BLACK      | SPS/NYLON GF20                 |
| GC-SB1       | SHORTING BAR GROMMET CAP 1 | BLACK      | SPS/NYLON GF20                 |
| GC-SB2       | SHORTING BAR GROMMET CAP 2 | BLACK      | SPS/NYLON GF20                 |
| GC-SB3       | SHORTING BAR GROMMET CAP 3 | BLACK      | SPS/NYLON GF20                 |
| GC-SB4       | SHORTING BAR GROMMET CAP 4 | BLACK      | SPS/NYLON GF20                 |
| GC-SB5       | SHORTING BAR GROMMET CAP 5 | BLACK      | SPS/NYLON GF20                 |
| GC-SB6       | SHORTING BAR GROMMET CAP 6 | BLACK      | SPS/NYLON GF20                 |
| SB           | SHORTING BAR               | GOLD PL    | 30100 STAINLESS STEEL          |
| PLR          | PLR                        | NATURAL    | SPS/NYLON GF20                 |
| M            | MAT SEAL                   | RUST RED   | INHERENTLY LUBRICATED SILICONE |

CLIPSLOT TYPE "A" STANDARD FOR ALL KEYING OPTIONS  
\*CLIPSLOT TYPE "B" OPTIONAL

FOR ADDITIONAL INFORMATION SEE SD-34986-8001

| ASSEMBLY DESCRIPTION         | ASSEMBLY PART NUMBER | COMPONENT   |             |     |          |        | BLOCKED TERMINALS  |   |   |   |   |   |   |   |   |    |    |    |    |    |    |    | STATUS | COMMENTS | OPTIONAL ATTACHMENTS SOLD SEPERATELY |                        |                 |                |           |               |
|------------------------------|----------------------|---|-------------|-----|----------|--------|--|---|---|---|---|---|---|---|---|----|----|----|----|----|----|----|--------|----------|--------------------------------------|------------------------|-----------------|----------------|-----------|---------------|
|                              |                      | THE PRESENCE OF AN ABBREVIATION INDICATES THE PRESENCE OF THAT COMPONENT. |             |     |          |        | CAVITY WITH A NUMBER INDICATES BLOCKED TERMINAL POSITION<br>CAVITY WITHOUT A NUMBER INDICATES OPEN TERMINAL POSITION |   |   |   |   |   |   |   |   |    |    |    |    |    |    |    |        |          | BACKSHELL WITH RIBS                  | BACKSHELL WITHOUT RIBS |                 |                |           |               |
|                              |                      | HOUSING KEY/COLOR   | GROMMET CAP | PLR | MAT SEAL | SB QTY | 1  | 2 | 3 | 4 | 5 | 6 | 7 | 8 | 9 | 10 | 11 | 12 | 13 | 14 | 15 | 16 |        |          |                                      |                        |                 |                |           |               |
| KEY A, BLACK                 | 34986-1601           | A-BLK   | GC-S        | PLR | M        |        |  |   |   |   |   |   |   |   |   |    |    |    |    |    |    |    |        |          |                                      |                        | SALEABLE        |                | 349531610 | NOT AVAILABLE |
| KEY B, LIGHT GRAY            | 34986-1602           | B-LG  | GC-S        | PLR | M        |        |  |   |   |   |   |   |   |   |   |    |    |    |    |    |    |    |        |          |                                      |                        | SALEABLE        |                | 349531610 | NOT AVAILABLE |
| KEY C, BROWN                 | 34986-1603           | C-BR  | GC-S        | PLR | M        |        |  |   |   |   |   |   |   |   |   |    |    |    |    |    |    |    |        |          |                                      |                        | NOT RECOMMENDED | SEE 34986-1959 | 349531610 | NOT AVAILABLE |
| KEY D, GREEN                 | 34986-1604           | D-GR  | GC-S        | PLR | M        |        |  |   |   |   |   |   |   |   |   |    |    |    |    |    |    |    |        |          |                                      |                        | NOT RECOMMENDED | SEE 34986-1960 | 349531610 | NOT AVAILABLE |
| KEY A, YELLOW                | 34986-1605           | A-YW  | GC-S        | PLR | M        |        |  |   |   |   |   |   |   |   |   |    |    |    |    |    |    |    |        |          |                                      |                        | SALEABLE        |                | 349531610 | NOT AVAILABLE |
| KEY A, BLACK                 | 34986-1606           | A-BLK   | GC-S        | PLR | M        |        |  |   |   |   |   |   |   |   |   |    |    |    |    |    |    |    |        |          |                                      |                        | SALEABLE        |                | 349531610 | NOT AVAILABLE |
| KEY B, LIGHT GRAY            | 34986-1607           | B-LG  | GC-S        | PLR | M        |        |  |   |   |   |   |   |   |   |   |    |    |    |    |    |    |    |        |          |                                      |                        | SALEABLE        |                | 349531610 | NOT AVAILABLE |
| KEY C, BROWN                 | 34986-1608           | C-BR  | GC-S        | PLR | M        |        |  |   |   |   |   |   |   |   |   |    |    |    |    |    |    |    |        |          |                                      |                        | NOT RECOMMENDED |                | 349531610 | NOT AVAILABLE |
| KEY D, GREEN                 | 34986-1609           | D-GR  | GC-S        | PLR | M        |        |  |   |   |   |   |   |   |   |   |    |    |    |    |    |    |    |        |          |                                      |                        | NOT RECOMMENDED |                | 349531610 | NOT AVAILABLE |
| KEY A, YELLOW                | 34986-1610           | A-YW  | GC-S        | PLR | M        |        |  |   |   |   |   |   |   |   |   |    |    |    |    |    |    |    |        |          |                                      |                        | SALEABLE        |                | 349531610 | NOT AVAILABLE |
| KEY A, BLACK                 | 34986-1611           | A-BLK   | GC-S        | PLR | M        |        |  |   |   |   |   |   |   |   |   |    |    |    |    |    |    |    |        |          |                                      |                        | SALEABLE        |                | 349531610 | NOT AVAILABLE |
| KEY B, LIGHT GRAY            | 34986-1612           | B-LG  | GC-S        | PLR | M        |        |  |   |   |   |   |   |   |   |   |    |    |    |    |    |    |    |        |          |                                      |                        | SALEABLE        |                | 349531610 | NOT AVAILABLE |
| KEY C, BROWN                 | 34986-1613           | C-BR  | GC-S        | PLR | M        |        |  |   |   |   |   |   |   |   |   |    |    |    |    |    |    |    |        |          |                                      |                        | NOT RECOMMENDED |                | 349531610 | NOT AVAILABLE |
| KEY D, GREEN                 | 34986-1614           | D-GR  | GC-S        | PLR | M        |        |  |   |   |   |   |   |   |   |   |    |    |    |    |    |    |    |        |          |                                      |                        | NOT RECOMMENDED |                | 349531610 | NOT AVAILABLE |
| KEY A, YELLOW                | 34986-1615           | A-YW  | GC-S        | PLR | M        |        |  |   |   |   |   |   |   |   |   |    |    |    |    |    |    |    |        |          |                                      |                        | SALEABLE        |                | 349531610 | NOT AVAILABLE |
| KEY A, BLACK                 | 34986-1621           | A-BLK   | GC-S        | PLR | M        |        |  |   |   |   |   |   |   |   |   |    |    |    |    |    |    |    |        |          |                                      |                        | SALEABLE        |                | 349531610 | NOT AVAILABLE |
| KEY A, BLACK                 | 34986-1626           | A-BLK   | GC-S        | PLR | M        |        |  |   |   |   |   |   |   |   |   |    |    |    |    |    |    |    |        |          |                                      |                        | SALEABLE        |                | 349531610 | NOT AVAILABLE |
| KEY A, BLACK                 | 34986-1631           | A-BLK   | GC-S        | PLR | M        |        |  |   |   |   |   |   |   |   |   |    |    |    |    |    |    |    |        |          |                                      |                        | SALEABLE        |                | 349531610 | NOT AVAILABLE |
| KEY A, BLACK                 | 34986-1636           | A-BLK   | GC-S        | PLR | M        |        |  |   |   |   |   |   |   |   |   |    |    |    |    |    |    |    |        |          |                                      |                        | SALEABLE        |                | 349531610 | NOT AVAILABLE |
| KEY A, BLACK                 | 34986-1641           | A-BLK   | GC-S        | PLR | M        |        |  |   |   |   |   |   |   |   |   |    |    |    |    |    |    |    |        |          |                                      |                        | SALEABLE        |                | 349531610 | NOT AVAILABLE |
| KEY A, BLACK                 | 34986-1646           | A-BLK   | GC-S        | PLR | M        |        |  |   |   |   |   |   |   |   |   |    |    |    |    |    |    |    |        |          |                                      |                        | SALEABLE        |                | 349531610 | NOT AVAILABLE |
| KEY A, BLACK                 | 34986-1651           | A-BLK   | GC-S        | PLR | M        |        |  |   |   |   |   |   |   |   |   |    |    |    |    |    |    |    |        |          |                                      |                        | SALEABLE        |                | 349531610 | NOT AVAILABLE |
| KEY A, BLACK                 | 34986-1656           | A-BLK   | GC-S        | PLR | M        |        |  |   |   |   |   |   |   |   |   |    |    |    |    |    |    |    |        |          |                                      |                        | SALEABLE        |                | 349531610 | NOT AVAILABLE |
| KEY A, BLACK                 | 34986-1661           | A-BLK   | GC-S        | PLR | M        |        |  |   |   |   |   |   |   |   |   |    |    |    |    |    |    |    |        |          |                                      |                        | SALEABLE        |                | 349531610 | NOT AVAILABLE |
| KEY A, BLACK                 | 34986-1666           | A-BLK   | GC-S        | PLR | M        |        |  |   |   |   |   |   |   |   |   |    |    |    |    |    |    |    |        |          |                                      |                        | SALEABLE        |                | 349531610 | NOT AVAILABLE |
| KEY A, BLACK                 | 34986-1671           | A-BLK   | GC-S        | PLR | M        |        |  |   |   |   |   |   |   |   |   |    |    |    |    |    |    |    |        |          |                                      |                        | SALEABLE        |                | 349531610 | NOT AVAILABLE |
| KEY A, BLACK                 | 34986-1672           | A-BLK   | GC-S        | PLR | M        |        |  |   |   |   |   |   |   |   |   |    |    |    |    |    |    |    |        |          |                                      |                        | SALEABLE        |                | 349531610 | NOT AVAILABLE |
| KEY E, BLACK, WITH S.B.      | 34986-1701           | E-BLK   | GC-SB1      | PLR | M        | 2      |  |   |   |   |   |   |   |   |   |    |    |    |    |    |    |    |        |          |                                      |                        | SALEABLE        |                | 349531610 | NOT AVAILABLE |
| KEY F, LIGHT GRAY, WITH S.B. | 34986-1702           | F-LG  | GC-SB1      | PLR | M        | 2      |  |   |   |   |   |   |   |   |   |    |    |    |    |    |    |    |        |          |                                      |                        | SALEABLE        |                | 349531610 | NOT AVAILABLE |
| KEY G, BROWN, WITH S.B.      | 34986-1703           | G-BR  | GC-SB1      | PLR | M        | 2      |  |   |   |   |   |   |   |   |   |    |    |    |    |    |    |    |        |          |                                      |                        | SALEABLE        |                | 349531610 | NOT AVAILABLE |
| KEY H, YELLOW, WITH S.B.     | 34986-1704           | H-YW  | GC-SB1      | PLR | M        | 2      |  |   |   |   |   |   |   |   |   |    |    |    |    |    |    |    |        |          |                                      |                        | SALEABLE        |                | 349531610 | NOT AVAILABLE |
| KEY H, YELLOW, WITH S.B.     | 34986-1708           | H-YW  | GC-SB1      | PLR | M        | 2      |  |   |   |   |   |   |   |   |   |    |    |    |    |    |    |    |        |          |                                      |                        | SALEABLE        |                | 349531610 | NOT AVAILABLE |
| KEY H, YELLOW, WITH S.B.     | 34986-1710           | H-YW  | GC-SB1      | PLR | M        | 2      |  |   |   |   |   |   |   |   |   |    |    |    |    |    |    |    |        |          |                                      |                        | SALEABLE        |                | 349531610 | NOT AVAILABLE |
| KEY H, YELLOW, WITH S.B.     | 34986-1712           | H-YW  | GC-SB1      | PLR | M        | 2      |  |   |   |   |   |   |   |   |   |    |    |    |    |    |    |    |        |          |                                      |                        | SALEABLE        |                | 349531610 | NOT AVAILABLE |
| KEY E, BLACK, WITH S.B.      | 34986-1714           | E-BLK   | GC-SB2      | PLR | M        | 1      |  |   |   |   |   |   |   |   |   |    |    |    |    |    |    |    |        |          |                                      |                        | SALEABLE        |                | 349531610 | NOT AVAILABLE |
| KEY B, LIGHT GRAY            | 34986-1715           | B-LG  | GC-S        | PLR | M        |        |  |   |   |   |   |   |   |   |   |    |    |    |    |    |    |    |        |          |                                      |                        | SALEABLE        |                | 349531610 | NOT AVAILABLE |
| KEY A, BLACK                 | 34986-1716           | A-BLK   | GC-S        | PLR | M        |        |  |   |   |   |   |   |   |   |   |    |    |    |    |    |    |    |        |          |                                      |                        | SALEABLE        |                | 349531610 | NOT AVAILABLE |
| KEY A, BLACK                 | 34986-1717           | A-BLK   | GC-S        | PLR | M        |        |  |   |   |   |   |   |   |   |   |    |    |    |    |    |    |    |        |          |                                      |                        | SALEABLE        |                | 349531610 | NOT AVAILABLE |
| KEY A, BLACK                 | 34986-1718           | A-BLK   | GC-S        | PLR | M        |        |  |   |   |   |   |   |   |   |   |    |    |    |    |    |    |    |        |          |                                      |                        | SALEABLE        |                | 349531610 | NOT AVAILABLE |
| KEY A, BLACK                 | 34986-1719           | A-BLK   | GC-S        | PLR | M        |        |  |   |   |   |   |   |   |   |   |    |    |    |    |    |    |    |        |          |                                      |                        | SALEABLE        |                | 349531610 | NOT AVAILABLE |
| KEY A, BLACK                 | 34986-1720           | A-BLK   | GC-S        | PLR | M        |        |  |   |   |   |   |   |   |   |   |    |    |    |    |    |    |    |        |          |                                      |                        | SALEABLE        |                | 349531610 | NOT AVAILABLE |
| KEY F, LIGHT GRAY, WITH S.B. | 34986-1721           | F-LG  | GC-SB2      | PLR | M        | 1      |  |   |   |   |   |   |   |   |   |    |    |    |    |    |    |    |        |          |                                      |                        | SALEABLE        |                | 349531610 | NOT AVAILABLE |
| KEY F, LIGHT GRAY, WITH S.B. | 34986-1722           | F-LG  | GC-SB2      | PLR | M        | 1      |  |   |   |   |   |   |   |   |   |    |    |    |    |    |    |    |        |          |                                      |                        | SALEABLE        |                | 349531610 | NOT AVAILABLE |
| KEY F, LIGHT GRAY, WITH S.B. | 34986-1723           | F-LG  | GC-SB2      | PLR | M        | 1      |  |   |   |   |   |   |   |   |   |    |    |    |    |    |    |    |        |          |                                      |                        | SALEABLE        |                | 349531610 | NOT AVAILABLE |
| KEY F, LIGHT GRAY, WITH S.B. | 34986-1724           | F-LG  | GC-SB2      | PLR | M        | 1      |  |   |   |   |   |   |   |   |   |    |    |    |    |    |    |    |        |          |                                      |                        | SALEABLE        |                | 349531610 | NOT AVAILABLE |
| KEY F, LIGHT GRAY, WITH S.B. | 34986-1725           | F-LG  | GC-SB2      | PLR | M        | 1      |  |   |   |   |   |   |   |   |   |    |    |    |    |    |    |    |        |          |                                      |                        | SALEABLE        |                | 349531610 | NOT AVAILABLE |
| KEY F, LIGHT GRAY, WITH S.B. | 34986-1726           | F-LG  | GC-SB2      | PLR | M        | 1      |  |   |   |   |   |   |   |   |   |    |    |    |    |    |    |    |        |          |                                      |                        | SALEABLE        |                | 349531610 | NOT AVAILABLE |
| KEY F, LIGHT GRAY, WITH S.B. | 34986-1727           | F-LG  | GC-SB2      | PLR | M        | 1      |  |   |   |   |   |   |   |   |   |    |    |    |    |    |    |    |        |          |                                      |                        | SALEABLE        |                | 349531610 | NOT AVAILABLE |
| KEY F, LIGHT GRAY, WITH S.B. | 34986-1728           | F-LG  | GC-SB2      | PLR | M        | 1      |  |   |   |   |   |   |   |   |   |    |    |    |    |    |    |    |        |          |                                      |                        | SALEABLE        |                | 349531610 | NOT AVAILABLE |
| KEY F, LIGHT GRAY            | 34986-1729           | F-LG  | GC-S        | PLR | M        |        |  |   |   |   |   |   |   |   |   |    |    |    |    |    |    |    |        |          |                                      |                        | SALEABLE        |                | 349531610 | NOT AVAILABLE |
| KEY F, LIGHT GRAY, WITH S.B. | 34986-1731           | F-LG  | GC-SB2      | PLR | M        | 1      |  |   |   |   |   |   |   |   |   |    |    |    |    |    |    |    |        |          |                                      |                        | SALEABLE        |                | 349531610 | NOT AVAILABLE |
| KEY A, BLACK                 | 34986-1732           | A-BLK   | GC-S        | PLR | M        |        |  |   |   |   |   |   |   |   |   |    |    |    |    |    |    |    |        |          |                                      |                        | SALEABLE        |                | 349531610 | NOT AVAILABLE |
| KEY E, BLACK, WITH S.B.      | 34986-1733           | E-BLK   | GC-SB3      | PLR | M        | 4      |  |   |   |   |   |   |   |   |   |    |    |    |    |    |    |    |        |          |                                      |                        | SALEABLE        |                | 349531610 | NOT AVAILABLE |
| KEY E, BLACK, WITH S.B.      | 34986-1734           | E-BLK   | GC-SB4      | PLR | M        | 3      |  |   |   |   |   |   |   |   |   |    |    |    |    |    |    |    |        |          |                                      |                        | SALEABLE        |                | 349531610 | NOT AVAILABLE |
| KEY E, BLACK, WITH S.B.      | 34986-1739           | E-BLK   | GC-SB1      | PLR | M        | 2      |  |   |   |   |   |   |   |   |   |    |    |    |    |    |    |    |        |          |                                      |                        | SALEABLE        |                | 349531610 | NOT AVAILABLE |
| KEY E, BLACK, WITH S.B.      | 34986-1740           | E-BLK   | GC-SB1      | PLR | M        | 2      |  |   |   |   |   |   |   |   |   |    |    |    |    |    |    |    |        |          |                                      |                        | SALEABLE        |                | 349531610 | NOT AVAILABLE |
| KEY E, BLACK, WITH S.B.      | 34986-1741           | E-BLK   | GC-SB1      | PLR | M        | 2      |  |   |   |   |   |   |   |   |   |    |    |    |    |    |    |    |        |          |                                      |                        | SALEABLE        |                | 349531610 | NOT AVAILABLE |
| KEY E, BLACK, WITH S.B.      | 34986-1742           | E-BLK   | GC-SB1      | PLR | M        | 2      |  |   |   |   |   |   |   |   |   |    |    |    |    |    |    |    |        |          |                                      |                        | SALEABLE        |                | 349531610 | NOT AVAILABLE |

MX150 16 WAY HYBRID BLADE SEALED ASSEMBLY MAT SEAL (2.8mm CAVITIES OPEN)
BOM AND PIN OUT SHEET

Table with columns: ASSEMBLY DESCRIPTION, ASSEMBLY PART NUMBER, COMPONENT (HOUSING KEY/COLOR, GROMMET CAP, PLR, MAT SEAL, SB QTY), BLOCKED TERMINALS (1-16), STATUS, COMMENTS, and OPTIONAL ATTACHMENTS SOLD SEPARATELY (BACKSHELL WITH RIBS, BACKSHELL WITHOUT RIBS).



MX150 16 WAY HYBRID BLADE SEALED ASSEMBLY MAT SEAL (2.8mm CAVITIES OPEN)
BOM AND PIN OUT SHEET

Table with columns: ASSEMBLY DESCRIPTION, ASSEMBLY PART NUMBER, COMPONENT (HOUSING KEY/COLOR, GROMMET CAP, PLR, MAT SEAL, SB QTY), BLOCKED TERMINALS (1-16), STATUS, COMMENTS, and OPTIONAL ATTACHMENTS SOLD SEPARATELY (BACKSHELL WITH RIBS, BACKSHELL WITHOUT RIBS).



MX150 16 WAY HYBRID BLADE SEALED ASSEMBLY MAT SEAL (2.8mm CAVITIES OPEN)

BOM AND PIN OUT SHEET

| ASSEMBLY DESCRIPTION         | ASSEMBLY PART NUMBER | COMPONENT   |             |     |          |        | BLOCKED TERMINALS  |   |   |    |    |   |   |   |    |    |    |    |    |    |    |          | STATUS   | COMMENTS  | OPTIONAL ATTACHMENTS SOLD SEPARATELY |                        |
|------------------------------|----------------------|---|-------------|-----|----------|--------|--|---|---|----|----|---|---|---|----|----|----|----|----|----|----|----------|----------|-----------|--------------------------------------|------------------------|
|                              |                      | THE PRESENCE OF AN ABBREVIATION INDICATES THE PRESENCE OF THAT COMPONENT. |             |     |          |        | CAVITY WITH A NUMBER INDICATES BLOCKED TERMINAL POSITION<br>CAVITY WITHOUT A NUMBER INDICATES OPEN TERMINAL POSITION |   |   |    |    |   |   |   |    |    |    |    |    |    |    |          |          |           | BACKSHELL WITH RIBS                  | BACKSHELL WITHOUT RIBS |
|                              |                      | HOUSING KEY/COLOR   | GROMMET CAP | PLR | MAT SEAL | SB QTY | 1  | 2 | 3 | 4  | 5  | 6 | 7 | 8 | 9  | 10 | 11 | 12 | 13 | 14 | 15 | 16       |          |           |                                      |                        |
| KEY B, LIGHT GRAY            | 34986-1928           | B-LG  | GC-5        | PLR | M        |        |  | 2 | 3 | 4  | 5  | 6 | 7 |   |    | 10 | 11 | 12 | 13 | 14 | 15 | SALEABLE |          | 349531610 | NOT AVAILABLE                        |                        |
| KEY B, LIGHT GRAY            | 34986-1929           | B-LG  | GC-5        | PLR | M        |        |  |   |   |    |    | 6 | 7 |   |    |    |    |    |    |    |    | SALEABLE |          | 349531610 | NOT AVAILABLE                        |                        |
| KEY A, BLACK                 | 34986-1930           | A-BLK   | GC-5        | PLR | M        |        |  | 2 |   |    | 5  | 6 |   |   | 10 | 11 | 12 | 13 |    |    | 15 | SALEABLE |          | 349531610 | NOT AVAILABLE                        |                        |
| KEY A, BLACK                 | 34986-1931           | A-BLK   | GC-5        | PLR | M        |        |  | 2 |   | 4  | 5  |   |   |   | 10 |    | 12 | 13 |    |    |    | SALEABLE |          | 349531610 | NOT AVAILABLE                        |                        |
| KEY A, BLACK                 | 34986-1932           | A-BLK   | GC-5        | PLR | M        |        |  | 2 |   | 4  |    |   |   |   |    |    | 12 | 13 |    |    |    | SALEABLE |          | 349531610 | NOT AVAILABLE                        |                        |
| KEY A, BLACK                 | 34986-1933           | A-BLK   | GC-5        | PLR | M        |        |  | 2 |   |    |    | 6 |   |   |    |    | 12 | 13 | 14 | 15 |    | SALEABLE |          | 349531610 | NOT AVAILABLE                        |                        |
| KEY A, BLACK                 | 34986-1934           | A-BLK   | GC-5        | PLR | M        |        |  |   |   |    | 5  | 6 | 7 |   | 10 | 11 | 12 | 13 | 14 | 15 |    | SALEABLE |          | 349531610 | NOT AVAILABLE                        |                        |
| KEY A, BLACK                 | 34986-1935           | A-BLK   | GC-5        | PLR | M        |        |  |   | 3 | 4  |    | 6 |   |   | 10 | 11 | 12 | 13 | 14 | 15 |    | SALEABLE |          | 349531610 | NOT AVAILABLE                        |                        |
| KEY A, BLACK                 | 34986-1936           | A-BLK   | GC-5        | PLR | M        |        |  | 2 |   |    | 5  |   |   |   | 11 |    | 13 |    |    |    | 15 | SALEABLE |          | 349531610 | NOT AVAILABLE                        |                        |
| KEY A, BLACK                 | 34986-1937           | A-BLK   | GC-5        | PLR | M        |        |  | 2 |   |    | 5  |   |   |   | 10 | 11 |    | 13 |    |    | 15 | SALEABLE |          | 349531610 | NOT AVAILABLE                        |                        |
| KEY A, BLACK                 | 34986-1938           | A-BLK   | GC-5        | PLR | M        |        |  | 2 |   |    | 5  | 6 |   |   | 10 | 11 | 12 | 13 | 14 | 15 |    | SALEABLE |          | 349531610 | NOT AVAILABLE                        |                        |
| KEY A, BLACK                 | 34986-1939           | A-BLK   | GC-5        | PLR | M        |        |  |   |   | 4  | 5  |   |   |   |    | 12 |    |    |    |    | 15 | SALEABLE |          | 349531610 | NOT AVAILABLE                        |                        |
| KEY A, BLACK                 | 34986-1940           | A-BLK   | GC-5        | PLR | M        |        |  |   | 3 | 4  |    |   |   | 7 |    | 10 | 11 | 12 |    | 14 | 15 | SALEABLE |          | 349531610 | NOT AVAILABLE                        |                        |
| KEY A, BLACK                 | 34986-1941           | A-BLK   | GC-5        | PLR | M        |        |  |   |   |    |    |   |   |   |    |    |    |    |    |    |    | 15       | SALEABLE |           | 349531610                            | NOT AVAILABLE          |
| KEY A, BLACK                 | 34986-1942           | A-BLK   | GC-5        | PLR | M        |        |  | 2 | 3 |    | 5  |   | 7 |   | 10 | 11 | 12 | 13 | 14 | 15 |    | SALEABLE |          | 349531610 | NOT AVAILABLE                        |                        |
| KEY A, BLACK                 | 34986-1943           | A-BLK   | GC-5        | PLR | M        |        |  |   |   |    |    | 6 | 7 |   |    | 11 |    | 13 |    |    |    | SALEABLE |          | 349531610 | NOT AVAILABLE                        |                        |
| KEY B, LIGHT GRAY            | 34986-1944           | B-LG  | GC-5        | PLR | M        |        |  |   |   | 4  |    |   |   |   |    |    |    | 13 |    |    |    | SALEABLE |          | 349531610 | NOT AVAILABLE                        |                        |
| KEY A, BLACK                 | 34986-1945           | A-BLK   | GC-5        | PLR | M        |        |  |   | 3 | 4  |    |   |   |   | 10 | 11 | 12 |    |    |    |    | SALEABLE |          | 349531610 | NOT AVAILABLE                        |                        |
| KEY A, BLACK                 | 34986-1946           | A-BLK   | GC-5        | PLR | M        |        |  |   |   |    |    | 6 |   |   |    | 11 |    | 13 |    |    |    | SALEABLE |          | 349531610 | NOT AVAILABLE                        |                        |
| KEY A, BLACK                 | 34986-1947           | A-BLK   | GC-5        | PLR | M        |        |  | 2 | 3 |    |    | 6 |   |   |    | 11 |    | 13 |    |    |    | SALEABLE |          | 349531610 | NOT AVAILABLE                        |                        |
| KEY A, BLACK                 | 34986-1948           | A-BLK   | GC-5        | PLR | M        |        |  |   |   | 4  |    |   |   |   |    |    |    |    |    | 14 |    | SALEABLE |          | 349531610 | NOT AVAILABLE                        |                        |
| KEY B, LIGHT GRAY            | 34986-1949           | B-LG  | GC-5        | PLR | M        |        |  |   |   | 4  |    |   |   |   |    |    |    |    |    |    |    | SALEABLE |          | 349531610 | NOT AVAILABLE                        |                        |
| KEY A, BLACK                 | 34986-1950           | A-BLK   | GC-5        | PLR | M        |        |  |   |   |    |    |   |   | 7 |    | 10 |    | 13 | 14 | 15 |    | SALEABLE |          | 349531610 | NOT AVAILABLE                        |                        |
| KEY A, BLACK                 | 34986-1951           | A-BLK   | GC-5        | PLR | M        |        |  |   |   |    |    |   |   | 7 |    |    |    | 13 | 14 | 15 |    | SALEABLE |          | 349531610 | NOT AVAILABLE                        |                        |
| KEY A, BLACK                 | 34986-1952           | A-BLK   | GC-5        | PLR | M        |        |  |   |   |    |    |   |   |   | 10 |    |    | 13 | 14 |    |    | SALEABLE |          | 349531610 | NOT AVAILABLE                        |                        |
| KEY A, BLACK                 | 34986-1953           | A-BLK   | GC-5        | PLR | M        |        |  |   |   |    |    |   |   | 7 |    | 10 |    | 13 |    |    | 15 | SALEABLE |          | 349531610 | NOT AVAILABLE                        |                        |
| KEY H, YELLOW, WITH S.B.     | 34986-1954           | H-YW  | GC-SB1      | PLR | M        | 2      |  | 2 | 3 | SB | SB |   |   |   |    |    | SB | SB |    | 15 |    | SALEABLE |          | 349531610 | NOT AVAILABLE                        |                        |
| KEY A, BLACK                 | 34986-1955           | A-BLK   | GC-5        | PLR | M        |        |  |   |   |    |    |   |   |   |    |    |    | 13 |    |    |    | SALEABLE |          | 349531610 | NOT AVAILABLE                        |                        |
| KEY A, BLACK                 | 34986-1956           | A-BLK   | GC-5        | PLR | M        |        |  |   |   |    |    | 6 |   |   |    |    | 12 | 13 | 14 | 15 |    | SALEABLE |          | 349531610 | NOT AVAILABLE                        |                        |
| KEY A, BLACK                 | 34986-1957           | A-BLK   | GC-5        | PLR | M        |        |  |   |   |    |    |   |   | 7 |    |    |    | 13 |    | 15 |    | SALEABLE |          | 349531610 | NOT AVAILABLE                        |                        |
| KEY A, BLACK                 | 34986-1958           | A-BLK   | GC-5        | PLR | M        |        |  |   |   |    |    |   |   |   | 10 |    |    | 13 |    |    |    | SALEABLE |          | 349531610 | NOT AVAILABLE                        |                        |
| KEY C, DARK GRAY             | 34986-1959           | C-DG  | GC-5        | PLR | M        |        |  |   |   |    |    |   |   |   |    |    |    |    |    |    |    | SALEABLE |          | 349531610 | NOT AVAILABLE                        |                        |
| KEY D, STONE GRAY            | 34986-1960           | D-SG  | GC-5        | PLR | M        |        |  |   |   |    |    |   |   |   |    |    |    |    |    |    |    | SALEABLE |          | 349531610 | NOT AVAILABLE                        |                        |
| KEY A, YELLOW                | 34986-1961           | A-YW  | GC-5        | PLR | M        |        |  | 2 |   |    |    |   |   |   |    |    |    |    |    |    |    | 15       | SALEABLE |           | 349531610                            | NOT AVAILABLE          |
| KEY F, LIGHT GRAY            | 34986-1962           | F-LG  | GC-5        | PLR | M        |        |  |   |   | 4  | 5  | 6 | 7 |   |    | 10 | 11 | 12 | 13 | 14 | 15 | SALEABLE |          | 349531610 | NOT AVAILABLE                        |                        |
| KEY F, LIGHT GRAY, WITH S.B. | 34986-1963           | F-LG  | GC-SB1      | PLR | M        | 2      |  | 2 | 3 | SB | SB | 6 | 7 |   |    |    | SB | SB | 14 | 15 |    | SALEABLE |          | 349531610 | NOT AVAILABLE                        |                        |
| KEY F, LIGHT GRAY, WITH S.B. | 34986-1964           | F-LG  | GC-SB1      | PLR | M        | 2      |  |   |   | SB | SB | 6 | 7 |   |    |    | SB | SB | 14 | 15 |    | SALEABLE |          | 349531610 | NOT AVAILABLE                        |                        |
| KEY A, BLACK                 | 34986-1965           | A-BLK   | GC-5        | PLR | M        |        |  |   | 3 |    | 5  |   |   |   | 10 | 11 | 12 |    |    |    |    | SALEABLE |          | 349531610 | NOT AVAILABLE                        |                        |
| KEY A, BLACK                 | 34986-1966           | A-BLK   | GC-5        | PLR | M        |        |  | 2 | 3 | 4  | 5  |   |   |   | 10 | 11 | 12 | 13 |    | 15 |    | SALEABLE |          | 349531610 | NOT AVAILABLE                        |                        |
| KEY A, BLACK                 | 34986-1967           | A-BLK   | GC-5        | PLR | M        |        |  | 2 | 3 |    |    | 6 |   |   |    | 11 |    |    |    |    |    | SALEABLE |          | 349531610 | NOT AVAILABLE                        |                        |
| KEY B, LIGHT GRAY            | 34986-1968           | B-LG  | GC-5        | PLR | M        |        |  |   |   | 4  |    | 6 |   |   |    |    |    | 13 |    |    |    | SALEABLE |          | 349531610 | NOT AVAILABLE                        |                        |
| KEY A, BLACK                 | 34986-1969           | A-BLK   | GC-5        | PLR | M        |        |  | 2 | 3 |    | 5  | 6 |   |   |    | 11 |    |    |    |    | 15 | SALEABLE |          | 349531610 | NOT AVAILABLE                        |                        |
| KEY A, BLACK                 | 34986-1970           | A-BLK   | GC-5        | PLR | M        |        |  | 2 |   |    | 5  | 6 |   |   |    | 11 |    |    |    |    | 15 | SALEABLE |          | 349531610 | NOT AVAILABLE                        |                        |
| KEY A, BLACK                 | 34986-1971           | A-BLK   | GC-5        | PLR | M        |        |  | 2 | 3 | 4  |    |   |   |   | 10 | 11 | 12 |    |    |    |    | SALEABLE |          | 349531610 | NOT AVAILABLE                        |                        |
| KEY A, BLACK                 | 34986-1972           | A-BLK   | GC-5        | PLR | M        |        |  |   |   |    |    |   |   |   | 10 |    |    |    |    |    | 15 | SALEABLE |          | 349531610 | NOT AVAILABLE                        |                        |
| KEY A, BLACK                 | 34986-1973           | A-BLK   | GC-5        | PLR | M        |        |  |   |   |    |    |   |   |   | 10 | 11 | 12 | 13 | 14 | 15 |    | SALEABLE |          | 349531610 | NOT AVAILABLE                        |                        |
| KEY A, BLACK                 | 34986-1974           | A-BLK   | GC-5        | PLR | M        |        |  | 2 |   |    |    |   |   |   | 10 | 11 | 12 | 13 | 14 | 15 |    | SALEABLE |          | 349531610 | NOT AVAILABLE                        |                        |
| KEY E, BLACK                 | 34986-1975           | E-BLK   | GC-5        | PLR | M        |        |  | 2 | 3 | 4  | 5  | 6 | 7 |   | 10 | 11 | 12 | 13 | 14 | 15 |    | SALEABLE |          | 349531610 | NOT AVAILABLE                        |                        |
| KEY A, BLACK                 | 34986-1976           | A-BLK   | GC-5        | PLR | M        |        |  | 2 | 3 |    |    | 6 | 7 |   |    | 10 | 11 | 12 | 13 | 14 |    | SALEABLE |          | 349531610 | NOT AVAILABLE                        |                        |
| KEY A, BLACK                 | 34986-1977           | A-BLK   | GC-5        | PLR | M        |        |  |   |   |    |    |   |   |   | 10 | 11 |    |    |    |    |    | SALEABLE |          | 349531610 | NOT AVAILABLE                        |                        |
| KEY A, BLACK                 | 34986-1978           | A-BLK   | GC-5        | PLR | M        |        |  | 2 |   |    |    |   |   |   |    |    | 12 | 13 | 14 |    |    | SALEABLE |          | 349531610 | NOT AVAILABLE                        |                        |
| KEY A, BLACK                 | 34986-1979           | A-BLK   | GC-5        | PLR | M        |        |  | 2 | 3 |    | 5  | 6 |   |   |    | 11 | 12 | 13 |    | 15 |    | SALEABLE |          | 349531610 | NOT AVAILABLE                        |                        |
| KEY A, BLACK                 | 34986-1980           | A-BLK   | GC-5        | PLR | M        |        |  |   | 3 |    | 5  | 6 | 7 |   | 10 | 11 | 12 | 13 | 14 | 15 |    | SALEABLE |          | 349531610 | NOT AVAILABLE                        |                        |
| KEY A, BLACK                 | 34986-1981           | A-BLK   | GC-5        | PLR | M        |        |  | 2 |   |    | 5  | 6 |   |   |    | 10 | 11 | 12 | 13 | 14 |    | SALEABLE |          | 349531610 | NOT AVAILABLE                        |                        |
| KEY A, BLACK                 | 34986-1982           | A-BLK   | GC-5        | PLR | M        |        |  | 2 |   |    | 5  | 6 | 7 |   | 10 | 11 | 12 | 13 | 14 |    |    | SALEABLE |          | 349531610 | NOT AVAILABLE                        |                        |
| KEY A, BLACK                 | 34986-1983           | A-BLK   | GC-5        | PLR | M        |        |  |   |   |    | 5  | 6 | 7 |   |    |    |    |    |    |    | 15 | SALEABLE |          | 349531610 | NOT AVAILABLE                        |                        |
| KEY A, BLACK                 | 34986-1984           | A-BLK   | GC-5        | PLR | M        |        |  |   | 3 |    | 5  | 6 | 7 |   |    |    |    |    |    |    | 15 | SALEABLE |          | 349531610 | NOT AVAILABLE                        |                        |
| KEY A, BLACK                 | 34986-1985           | A-BLK   | GC-5        | PLR | M        |        |  |   | 3 |    | 5  | 6 | 7 |   | 10 | 11 |    |    |    |    | 15 | SALEABLE |          | 349531610 | NOT AVAILABLE                        |                        |
| KEY A, BLACK                 | 34986-1986           | A-BLK   | GC-5        | PLR | M        |        |  |   |   |    | 5  | 6 | 7 |   | 10 | 11 | 12 | 13 | 14 |    |    | SALEABLE |          | 349531610 | NOT AVAILABLE                        |                        |
| KEY A, BLACK                 | 34986-1987           | A-BLK   | GC-5        | PLR | M        |        |  |   |   |    | 5  |   |   |   | 10 | 11 | 12 |    |    |    |    | SALEABLE |          | 349531610 | NOT AVAILABLE                        |                        |
| KEY A, BLACK                 | 34986-1988           | A-BLK   | GC-5        | PLR | M        |        |  | 2 |   | 4  | 5  |   |   |   | 10 | 11 | 12 | 13 | 14 | 15 |    | SALEABLE |          | 349531610 | NOT AVAILABLE                        |                        |
| KEY A, BLACK                 | 34986-1989           | A-BLK   | GC-5        | PLR | M        |        |  | 2 |   |    |    | 6 |   |   |    |    |    |    |    |    |    | SALEABLE |          | 349531610 | NOT AVAILABLE                        |                        |
| KEY A, BLACK                 | 34986-1990           | A-BLK   | GC-5        | PLR | M        |        |  |   |   |    | 5  | 6 | 7 |   | 10 | 11 | 12 | 13 |    |    |    | SALEABLE |          | 349531610 | NOT AVAILABLE                        |                        |
| KEY A, BLACK                 | 34986-1991           | A-BLK   | GC-5        | PLR | M        |        |  | 2 | 3 |    | 5  | 6 | 7 |   | 10 | 11 | 12 | 13 |    | 15 |    | SALEABLE |          | 349531610 | NOT AVAILABLE                        |                        |
| KEY A, BLACK                 | 34986-1992           | A-BLK   | GC-5        | PLR | M        |        |  |   | 3 | 4  | 5  |   |   |   |    | 11 | 12 |    | 14 | 15 |    | SALEABLE |          | 349531610 | NOT AVAILABLE                        |                        |
| KEY A, BLACK                 | 34986-1993           | A-BLK   | GC-5        | PLR | M        |        |  | 2 | 3 | 4  | 5  | 6 | 7 |   | 10 | 11 |    | 13 | 14 | 15 |    | SALEABLE |          | 349531610 | NOT AVAILABLE                        |                        |
| KEY A, BLACK                 | 34986-1994           | A-BLK   | GC-5        | PLR | M        |        |  | 2 |   |    |    | 6 |   |   |    |    |    | 13 |    |    |    | SALEABLE |          | 349531610 | NOT AVAILABLE                        |                        |
| KEY A, BLACK                 | 34986-1995           | A-BLK   | GC-5        | PLR | M        |        |  | 2 | 3 | 4  | 5  |   |   |   |    |    |    |    |    |    |    | SALEABLE |          | 349531610 | NOT AVAILABLE                        |                        |
| KEY A, BLACK                 | 34986-1996           | A-BLK   | GC-5        | PLR | M        |        |  |   |   |    |    | 6 |   |   | 10 | 11 | 12 |    | 14 | 15 |    | SALEABLE |          | 349531610 | NOT AVAILABLE                        |                        |
| KEY A, BLACK                 | 34986-1997           | A-BLK   | GC-5        | PLR | M        |        |  |   | 3 |    | 6  |   |   |   | 10 | 11 | 12 | 13 | 14 | 15 |    | SALEABLE |          | 349531610 | NOT AVAILABLE                        |                        |
| KEY A, BLACK                 | 34986-1998           | A-BLK   | GC-5        | PLR | M        |        |  | 2 |   |    |    |   |   |   |    |    |    |    |    |    |    |          |          |           |                                      |                        |



## MX150 16 WAY HYBRID BLADE SEALED ASSEMBLY MAT SEAL (2.8mm CAVITIES OPEN)

## BOM AND PIN OUT SHEET

| ASSEMBLY DESCRIPTION         | ASSEMBLY PART NUMBER | COMPONENT   |             |     |          |        | BLOCKED TERMINALS  |   |   |   |   |   |   |   |   |    |    |    |    |    |    |    | STATUS | COMMENTS | OPTIONAL ATTACHMENTS SOLD SEPARATELY |                        |          |          |            |               |               |               |               |
|------------------------------|----------------------|---|-------------|-----|----------|--------|--|---|---|---|---|---|---|---|---|----|----|----|----|----|----|----|--------|----------|--------------------------------------|------------------------|----------|----------|------------|---------------|---------------|---------------|---------------|
|                              |                      | THE PRESENCE OF AN ABBREVIATION INDICATES THE PRESENCE OF THAT COMPONENT. |             |     |          |        | CAVITY WITH A NUMBER INDICATES BLOCKED TERMINAL POSITION<br>CAVITY WITHOUT A NUMBER INDICATES OPEN TERMINAL POSITION |   |   |   |   |   |   |   |   |    |    |    |    |    |    |    |        |          | BACKSHELL WITH RIBS                  | BACKSHELL WITHOUT RIBS |          |          |            |               |               |               |               |
|                              |                      | HOUSING KEY/COLOR   | GROMMET CAP | PLR | MAT SEAL | SB QTY | 1  | 2 | 3 | 4 | 5 | 6 | 7 | 8 | 9 | 10 | 11 | 12 | 13 | 14 | 15 | 16 |        |          |                                      |                        |          |          |            |               |               |               |               |
| KEY A, BLACK                 | 34986-2018           | A-BLK   | GC-S        | PLR | M        |        |  | 2 |   |   |   |   |   |   |   |    | 6  |    |    |    | 10 |    |        |          |                                      |                        | SALEABLE |          | 349531610  | NOT AVAILABLE |               |               |               |
| KEY A, BLACK                 | 34986-2019           | A-BLK   | GC-S        | PLR | M        |        |  |   |   |   |   |   |   |   |   |    |    | 7  |    |    | 10 |    | 11     |          | 12                                   | 13                     |          | SALEABLE |            | 349531610     | NOT AVAILABLE |               |               |
| KEY A, BLACK                 | 34986-2020           | A-BLK   | GC-S        | PLR | M        |        |  | 2 |   | 3 |   | 4 |   | 5 |   | 6  |    |    |    |    |    |    | 11     |          |                                      | 13                     |          | SALEABLE |            | 349531610     | NOT AVAILABLE |               |               |
| KEY A, BLACK                 | 34986-2021           | A-BLK   | GC-S        | PLR | M        |        |  | 2 |   |   |   |   |   |   |   |    |    | 7  |    |    |    |    | 11     |          |                                      | 13                     |          | SALEABLE |            | 349531610     | NOT AVAILABLE |               |               |
| KEY A, BLACK                 | 34986-2022           | A-BLK   | GC-S        | PLR | M        |        |  |   |   | 3 |   | 4 |   | 5 |   | 6  |    |    |    |    |    | 10 |        | 11       | 12                                   | 13                     |          | SALEABLE |            | 349531610     | NOT AVAILABLE |               |               |
| KEY A, BLACK                 | 34986-2023           | A-BLK   | GC-S        | PLR | M        |        |  |   |   |   |   |   |   | 5 |   | 6  |    |    |    |    |    |    | 11     |          | 13                                   | 14                     | 15       | SALEABLE |            | 349531610     | NOT AVAILABLE |               |               |
| KEY A, BLACK                 | 34986-2024           | A-BLK   | GC-S        | PLR | M        |        |  |   |   | 2 |   | 4 |   |   |   |    |    |    |    |    | 10 |    |        |          |                                      |                        | SALEABLE |          | 349531610  | NOT AVAILABLE |               |               |               |
| KEY A, BLACK                 | 34986-2025           | A-BLK   | GC-S        | PLR | M        |        |  | 2 |   | 3 |   | 4 |   |   | 6 |    | 7  |    |    |    |    | 10 |        | 11       | 12                                   |                        | 14       | 15       | SALEABLE   |               | 349531610     | NOT AVAILABLE |               |
| KEY A, BLACK                 | 34986-2026           | A-BLK   | GC-S        | PLR | M        |        |  | 2 |   | 3 |   |   |   | 5 |   | 6  |    |    |    |    |    | 10 |        | 11       | 12                                   |                        | 13       |          | SALEABLE   |               | 349531610     | NOT AVAILABLE |               |
| KEY A, BLACK                 | 34986-2027           | A-BLK   | GC-S        | PLR | M        |        |  |   |   |   |   |   |   |   |   | 6  |    |    |    |    |    |    | 11     |          |                                      |                        | 15       | SALEABLE |            | 349531610     | NOT AVAILABLE |               |               |
| KEY A, BLACK                 | 34986-2028           | A-BLK   | GC-S        | PLR | M        |        |  | 2 |   | 3 |   | 4 |   |   | 6 |    |    |    |    |    |    | 10 |        | 11       | 12                                   |                        | 14       | 15       | SALEABLE   |               | 349531610     | NOT AVAILABLE |               |
| KEY A, BLACK                 | 34986-2029           | A-BLK   | GC-S        | PLR | M        |        |  |   |   | 2 |   |   |   | 5 |   | 6  |    | 7  |    |    |    |    |        |          |                                      |                        |          | SALEABLE |            | 349531610     | NOT AVAILABLE |               |               |
| KEY B, LIGHT GRAY            | 34986-2030           | B-LG  | GC-S        | PLR | M        |        |  | 2 |   | 3 |   |   |   |   |   |    |    |    |    |    |    |    |        |          |                                      |                        | SALEABLE |          | 349531610  | NOT AVAILABLE |               |               |               |
| KEY B, LIGHT GRAY            | 34986-2031           | B-LG  | GC-S        | PLR | M        |        |  | 2 |   | 3 |   |   |   |   |   |    |    |    |    |    |    |    |        |          |                                      |                        | SALEABLE |          | 349531610  | NOT AVAILABLE |               |               |               |
| KEY B, LIGHT GRAY            | 34986-2032           | B-LG  | GC-S        | PLR | M        |        |  |   |   |   |   |   |   |   |   |    |    |    |    |    |    |    |        |          |                                      |                        | SALEABLE |          | 349531610  | NOT AVAILABLE |               |               |               |
| KEY A, BLACK                 | 34986-2033           | A-BLK   | GC-S        | PLR | M        |        |  |   |   |   |   | 3 |   |   |   |    | 7  |    |    |    |    | 10 |        | 11       |                                      |                        | 15       | SALEABLE |            | 349531610     | NOT AVAILABLE |               |               |
| KEY A, BLACK                 | 34986-2034           | A-BLK   | GC-S        | PLR | M        |        |  |   |   |   |   |   |   |   | 5 |    | 7  |    |    |    |    |    |        |          |                                      |                        | 15       | SALEABLE |            | 349531610     | NOT AVAILABLE |               |               |
| KEY A, BLACK                 | 34986-2035           | A-BLK   | GC-S        | PLR | M        |        |  |   |   |   | 3 |   |   |   | 5 |    | 7  |    |    |    |    | 10 |        | 11       |                                      |                        | 15       | SALEABLE |            | 349531610     | NOT AVAILABLE |               |               |
| KEY A, BLACK                 | 34986-2036           | A-BLK   | GC-S        | PLR | M        |        |  |   |   | 2 |   |   |   | 5 |   | 6  |    | 7  |    |    |    |    |        |          |                                      |                        | 13       | 14       | SALEABLE   |               | 349531610     | NOT AVAILABLE |               |
| KEY A, BLACK                 | 34986-2037           | A-BLK   | GC-S        | PLR | M        |        |  | 2 |   |   |   |   |   |   |   |    | 7  |    |    |    |    |    |        |          |                                      |                        | 13       | 14       | SALEABLE   |               | 349531610     | NOT AVAILABLE |               |
| KEY F, LIGHT GRAY, WITH S.B. | 34986-2038           | F-LG  | GC-SB1      | PLR | M        |        | 2  |   |   |   |   |   |   |   |   |    |    |    |    |    |    |    |        |          |                                      |                        |          | SALEABLE |            | 349531610     | NOT AVAILABLE |               |               |
| KEY A, BLACK                 | 34986-2039           | A-BLK   | GC-S        | PLR | M        |        |  |   |   |   | 3 |   |   |   | 6 |    | 7  |    |    |    |    |    |        |          |                                      |                        |          | 15       | SALEABLE   |               | 349531610     | NOT AVAILABLE |               |
| KEY A, BLACK                 | 34986-2040           | A-BLK   | GC-S        | PLR | M        |        |  | 2 |   |   |   |   |   |   | 5 |    | 6  |    |    |    |    | 10 |        | 11       |                                      |                        |          | SALEABLE |            | 349531610     | NOT AVAILABLE |               |               |
| KEY A, BLACK                 | 34986-2041           | A-BLK   | GC-S        | PLR | M        |        |  |   |   |   |   |   |   |   |   |    |    |    |    |    |    | 10 |        |          |                                      |                        |          | SALEABLE |            | 349531610     | NOT AVAILABLE |               |               |
| KEY A, BLACK                 | 34986-2042           | A-BLK   | GC-S        | PLR | M        |        |  | 2 |   |   |   |   |   |   | 5 |    | 6  |    |    |    |    |    |        | 11       |                                      |                        |          | SALEABLE |            | 349531610     | NOT AVAILABLE |               |               |
| KEY A, BLACK                 | 34986-2043           | A-BLK   | GC-S        | PLR | M        |        |  | 2 |   | 3 |   |   |   |   |   |    | 7  |    |    |    |    | 10 |        |          |                                      |                        |          | SALEABLE |            | 349531610     | NOT AVAILABLE |               |               |
| KEY A, BLACK                 | 34986-2044           | A-BLK   | GC-S        | PLR | M        |        |  | 2 |   | 3 |   |   |   |   | 6 |    | 7  |    |    |    |    | 10 |        |          |                                      | 13                     | 14       | 15       | SALEABLE   |               | 349531610     | NOT AVAILABLE |               |
| KEY F, LIGHT GRAY            | 34986-2045           | F-LG  | GC-S        | PLR | M        |        |  |   |   |   |   | 4 |   | 5 |   | 6  |    | 7  |    |    |    | 10 |        | 11       | 12                                   | 13                     |          | 15       | SALEABLE   |               | 349531610     | NOT AVAILABLE |               |
| KEY F, LIGHT GRAY, WITH S.B. | 34986-2046           | F-LG  | GC-SB1      | PLR | M        |        | 2  |   |   |   |   |   |   |   |   |    |    |    |    |    |    |    |        |          |                                      |                        |          | SALEABLE |            | 349531610     | NOT AVAILABLE |               |               |
| KEY A, BLACK                 | 34986-2047           | A-BLK   | GC-S        | PLR | M        |        |  | 2 |   | 3 |   | 4 |   | 5 |   | 6  |    |    |    |    |    | 10 |        | 11       | 12                                   | 13                     |          | SALEABLE |            | 349531610     | NOT AVAILABLE |               |               |
| KEY A, BLACK                 | 34986-2048           | A-BLK   | GC-S        | PLR | M        |        |  |   |   |   | 3 |   |   |   | 5 |    |    |    |    |    |    | 10 |        |          |                                      |                        |          | SALEABLE |            | 349531610     | NOT AVAILABLE |               |               |
| KEY A, BLACK                 | 34986-2049           | A-BLK   | GC-S        | PLR | M        |        |  | 2 |   |   |   | 4 |   |   | 6 |    |    |    |    |    |    |    |        |          |                                      |                        |          | SALEABLE |            | 349531610     | NOT AVAILABLE |               |               |
| KEY A, BLACK                 | 34986-2050           | A-BLK   | GC-S        | PLR | M        |        |  | 2 |   |   |   | 4 |   |   | 6 |    |    |    |    |    |    |    |        |          |                                      |                        |          | SALEABLE |            | 349531610     | NOT AVAILABLE |               |               |
| KEY A, BLACK                 | 34986-2051           | A-BLK   | GC-S        | PLR | M        |        |  |   |   |   |   |   |   |   |   |    |    |    |    |    |    |    |        |          |                                      |                        |          | SALEABLE |            | 349531610     | NOT AVAILABLE |               |               |
| KEY A, BLACK                 | 34986-2052           | A-BLK   | GC-S        | PLR | M        |        |  | 2 |   |   |   | 4 |   |   |   |    |    | 7  |    |    |    |    |        |          |                                      |                        |          | SALEABLE |            | 349531610     | NOT AVAILABLE |               |               |
| KEY A, BLACK                 | 34986-2053           | A-BLK   | GC-S        | PLR | M        |        |  |   |   |   |   |   | 3 |   | 4 |    | 5  |    |    |    |    | 10 |        | 11       |                                      |                        |          | SALEABLE |            | 349531610     | NOT AVAILABLE |               |               |
| KEY A, BLACK                 | 34986-2054           | A-BLK   | GC-S        | PLR | M        |        |  | 2 |   |   |   |   |   |   | 5 |    | 6  |    |    |    |    | 10 |        | 11       |                                      | 13                     | 14       | SALEABLE |            | 349531610     | NOT AVAILABLE |               |               |
| KEY A, BLACK                 | 34986-2055           | A-BLK   | GC-S        | PLR | M        |        |  | 2 |   |   |   |   |   |   |   |    |    |    |    |    |    | 10 |        | 11       |                                      | 13                     | 14       | SALEABLE |            | 349531610     | NOT AVAILABLE |               |               |
| KEY A, BLACK                 | 34986-2056           | A-BLK   | GC-S        | PLR | M        |        |  |   |   |   |   |   |   |   |   |    |    |    |    |    |    |    |        |          |                                      |                        |          | SALEABLE |            | 349531610     | NOT AVAILABLE |               |               |
| KEY A, BLACK                 | 34986-2057           | A-BLK   | GC-S        | PLR | M        |        |  | 2 |   |   |   | 4 |   |   |   |    | 7  |    |    |    |    | 10 |        | 11       |                                      |                        |          | SALEABLE |            | 349531610     | NOT AVAILABLE |               |               |
| KEY B, LIGHT GRAY            | 34986-2058           | B-LG  | GC-S        | PLR | M        |        |  | 2 |   | 3 |   |   |   |   | 6 |    | 7  |    |    |    |    |    |        |          |                                      |                        |          | SALEABLE |            | 349531610     | NOT AVAILABLE |               |               |
| KEY B, LIGHT GRAY            | 34986-2059           | B-LG  | GC-S        | PLR | M        |        |  |   |   |   |   |   | 4 |   |   |    | 7  |    |    |    |    |    |        |          |                                      |                        |          | SALEABLE |            | 349531610     | NOT AVAILABLE |               |               |
| KEY A, BLACK                 | 34986-2060           | A-BLK   | GC-S        | PLR | M        |        |  | 2 |   |   |   | 4 |   | 5 |   | 6  |    |    |    |    |    | 10 |        | 11       | 12                                   |                        | 14       | 15       | SALEABLE   |               | 349531610     | NOT AVAILABLE |               |
| KEY A, BLACK                 | 34986-2061           | A-BLK   | GC-S        | PLR | M        |        |  |   |   |   | 3 |   |   |   |   |    | 7  |    |    |    |    | 10 |        | 11       | 12                                   |                        | 13       | 14       | 15         | SALEABLE      |               | 349531610     | NOT AVAILABLE |
| KEY F, LIGHT GRAY, WITH S.B. | 34986-2062           | F-LG  | GC-S        | PLR | M        |        | 2  |   |   |   |   |   |   |   |   |    |    |    |    |    |    |    |        |          |                                      |                        |          | SALEABLE | SEE NOTE 4 | 349531610     | NOT AVAILABLE |               |               |
| KEY F, LIGHT GRAY, WITH S.B. | 34986-2063           | F-LG  | GC-S        | PLR | M        |        | 2  |   |   |   |   |   |   |   |   |    |    |    |    |    |    |    |        |          |                                      |                        |          | SALEABLE | SEE NOTE 4 | 349531610     | NOT AVAILABLE |               |               |
| KEY A, BLACK                 | 34986-2064           | A-BLK   | GC-S        | PLR | M        |        |  | 2 |   | 3 |   |   |   |   |   |    | 7  |    |    |    |    |    |        |          |                                      |                        |          | SALEABLE |            | 349531610     | NOT AVAILABLE |               |               |
| KEY F, LIGHT GRAY            | 34986-2065           | F-LG  | GC-S        | PLR | M        |        |  |   |   |   |   | 4 |   | 5 |   | 6  |    | 7  |    |    |    |    |        |          |                                      |                        |          | SALEABLE |            | 349531610     | NOT AVAILABLE |               |               |
| KEY F, LIGHT GRAY, WITH S.B. | 34986-2066           | F-LG  | GC-SB1      | PLR | M        |        | 2  |   |   |   |   |   |   |   |   |    |    |    |    |    |    |    |        |          |                                      |                        |          | SALEABLE |            | 349531610     | NOT AVAILABLE |               |               |
| KEY A, BLACK                 | 34986-2067           | A-BLK   | GC-S        | PLR | M        |        |  |   |   |   | 3 |   | 4 |   |   |    |    |    |    |    |    |    |        |          |                                      |                        |          | OBSELETE |            | 349531610     | NOT AVAILABLE |               |               |
| KEY A, BLACK                 | 34986-2068           | A-BLK   | GC-S        | PLR | M        |        |  |   |   |   |   |   |   |   |   |    |    |    |    |    |    | 10 |        | 11       | 12                                   |                        |          | SALEABLE |            | 349531610     | NOT AVAILABLE |               |               |
| KEY A, BLACK                 | 34986-2069           | A-BLK   | GC-S        | PLR | M        |        |  |   |   |   |   |   |   |   | 5 |    |    |    |    |    |    | 10 |        | 11       |                                      |                        |          | SALEABLE |            | 349531610     | NOT AVAILABLE |               |               |
| KEY A, BLACK                 | 34986-2070           | A-BLK   | GC-S        | PLR | M        |        |  | 2 |   | 3 |   |   |   |   |   |    |    |    |    |    |    | 10 |        | 11       | 12                                   |                        |          | SALEABLE |            | 349531610     | NOT AVAILABLE |               |               |
| KEY A, BLACK                 | 34986-2071           | A-BLK   | GC-S        | PLR | M        |        |  |   |   |   |   |   |   |   |   |    | 7  |    |    |    |    |    |        |          |                                      |                        | 15       | SALEABLE |            | 349531610     | NOT AVAILABLE |               |               |
| KEY A, BLACK                 | 34986-2072           | A-BLK   | GC-S        | PLR | M        |        |  |   |   |   |   |   |   |   |   |    |    | 7  |    |    |    | 10 |        |          |                                      |                        | 15       | SALEABLE |            | 349531610     | NOT AVAILABLE |               |               |
| KEY F, LIGHT GRAY, WITH S.B. | 34986-2073           | F-LG  | GC-SB1      | PLR | M        |        | 2  |   |   |   |   |   |   |   |   |    | 6  |    |    |    |    |    |        |          |                                      |                        |          | SALEABLE |            | 349531610     | NOT AVAILABLE |               |               |
| KEY F, LIGHT GRAY, WITH S.B. | 34986-2074           | F-LG  | GC-S        | PLR | M        |        | 2  |   |   |   |   |   |   |   |   |    |    |    |    |    |    |    |        |          |                                      |                        |          | SALEABLE | SEE NOTE 4 | 349531610     | NOT AVAILABLE |               |               |
| KEY A, BLACK                 | 34986-2075           | A-BLK   | GC-S        | PLR | M        |        |  | 2 |   |   |   |   |   |   | 5 |    | 6  |    | 7  |    |    |    |        |          |                                      |                        |          | SALEABLE |            | 349531610     | NOT AVAILABLE |               |               |
| KEY A, BLACK                 | 34986-2076           | A-BLK   | GC-S        | PLR | M        |        |  |   |   |   | 3 |   |   |   |   |    |    |    |    |    |    |    |        |          |                                      |                        |          | SALEABLE |            | 349531610     | NOT AVAILABLE |               |               |
| KEY A, BLACK                 | 34986-2077           | A-BLK   | GC-S        | PLR | M        |        |  |   |   |   |   | 3 |   |   |   |    |    |    |    |    |    |    |        |          |                                      |                        |          | SALEABLE |            | 349531610     | NOT AVAILABLE |               |               |
| KEY A, BLACK                 | 34986-2078           | A-BLK   | GC-S        | PLR | M        |        |  |   |   |   |   |   |   |   |   |    |    |    |    |    |    |    |        |          |                                      |                        |          | SALEABLE |            | 349531610     | NOT AVAILABLE |               |               |
| KEY B, LIGHT GRAY            | 34986-2079           | B-LG  | GC-S        | PLR | M        |        |  |   |   |   |   |   |   |   |   |    |    |    |    |    |    | 10 |        | 11       | 12                                   |                        | 13       | 14       | 15         | SALEABLE      |               | 349531610     | NOT AVAILABLE |
| KEY B, LIGHT GRAY            | 34986-2080           | B-LG  | GC-S        | PLR | M        |        |  |   |   |   |   |   |   |   |   |    |    |    |    |    |    |    |        |          |                                      |                        |          | SALEABLE |            | 349531610     | NOT AVAILABLE |               |               |
| KEY A, BLACK                 | 34986-2081           | A-BLK   |             |     |          |        |  |   |   |   |   |   |   |   |   |    |    |    |    |    |    |    |        |          |                                      |                        |          |          |            |               |               |               |               |





# MX150 16 WAY HYBRID BLADE SEALED ASSEMBLY MAT SEAL (2.8mm CAVITIES OPEN)

## BOM AND PIN OUT SHEET

| ASSEMBLY DESCRIPTION         | ASSEMBLY PART NUMBER | COMPONENT   |             |     |          |        | BLOCKED TERMINALS  |   |   |   |   |    |   |   |   |    |    |    |    |    |    |    | STATUS   | COMMENTS | OPTIONAL ATTACHMENTS SOLD SEPARATELY |                        |               |               |               |               |               |               |               |           |               |
|------------------------------|----------------------|---|-------------|-----|----------|--------|--|---|---|---|---|----|---|---|---|----|----|----|----|----|----|----|----------|----------|--------------------------------------|------------------------|---------------|---------------|---------------|---------------|---------------|---------------|---------------|-----------|---------------|
|                              |                      | THE PRESENCE OF AN ABBREVIATION INDICATES THE PRESENCE OF THAT COMPONENT. |             |     |          |        | CAVITY WITH A NUMBER INDICATES BLOCKED TERMINAL POSITION<br>CAVITY WITHOUT A NUMBER INDICATES OPEN TERMINAL POSITION |   |   |   |   |    |   |   |   |    |    |    |    |    |    |    |          |          | BACKSHELL WITH RIBS                  | BACKSHELL WITHOUT RIBS |               |               |               |               |               |               |               |           |               |
|                              |                      | HOUSING KEY/COLOR   | GROMMET CAP | PLR | MAT SEAL | SB QTY | 1  | 2 | 3 | 4 | 5 | 6  | 7 | 8 | 9 | 10 | 11 | 12 | 13 | 14 | 15 | 16 |          |          |                                      |                        |               |               |               |               |               |               |               |           |               |
| KEY A, BLACK                 | 34986-2108           | A-BLK   | GC-5        | PLR | M        |        |  | 2 |   |   |   |    |   |   |   |    | 5  |    |    | 12 | 13 | 14 | 15       | SALEABLE |                                      | 349531610              | NOT AVAILABLE |               |               |               |               |               |               |           |               |
| KEY A, BLACK                 | 34986-2109           | A-BLK   | GC-5        | PLR | M        |        |  | 2 | 3 |   |   |    |   |   |   |    | 5  |    |    | 12 | 13 | 14 | 15       | SALEABLE |                                      | 349531610              | NOT AVAILABLE |               |               |               |               |               |               |           |               |
| KEY F, LIGHT GRAY, WITH S.B. | 34986-2110           | F-LG  | GC-5        | PLR | M        | 2      |  |   |   |   |   | SB |   |   |   |    | SB |    |    | SB | SB |    | 15       | SALEABLE | SEE NOTE 4                           | 349531610              | NOT AVAILABLE |               |               |               |               |               |               |           |               |
| KEY A, BLACK                 | 34986-2111           | A-BLK   | GC-5        | PLR | M        |        |  | 2 |   |   |   |    |   |   |   | 10 | 11 |    |    | 13 | 14 | 15 | SALEABLE |          | 349531610                            | NOT AVAILABLE          |               |               |               |               |               |               |               |           |               |
| KEY A, BLACK                 | 34986-2112           | A-BLK   | GC-5        | PLR | M        |        |  |   |   |   |   |    |   |   |   |    | 11 |    |    |    |    | 14 | 15       | SALEABLE |                                      | 349531610              | NOT AVAILABLE |               |               |               |               |               |               |           |               |
| KEY A, BLACK                 | 34986-2113           | A-BLK   | GC-5        | PLR | M        |        |  | 2 | 3 |   |   |    |   |   |   |    | 11 |    |    |    |    | 14 | 15       | SALEABLE |                                      | 349531610              | NOT AVAILABLE |               |               |               |               |               |               |           |               |
| KEY A, BLACK                 | 34986-2114           | A-BLK   | GC-5        | PLR | M        |        |  |   |   |   |   |    |   |   |   | 10 |    |    |    | 13 |    |    |          | SALEABLE |                                      | 349531610              | NOT AVAILABLE |               |               |               |               |               |               |           |               |
| KEY A, BLACK                 | 34986-2115           | A-BLK   | GC-5        | PLR | M        |        |  |   |   |   | 3 | 4  |   |   |   |    | 11 | 12 |    |    |    |    |          | SALEABLE |                                      | 349531610              | NOT AVAILABLE |               |               |               |               |               |               |           |               |
| KEY A, BLACK                 | 34986-2116           | A-BLK   | GC-5        | PLR | M        |        |  |   |   |   | 3 | 4  |   |   |   |    | 11 | 12 | 13 |    |    |    |          | SALEABLE |                                      | 349531610              | NOT AVAILABLE |               |               |               |               |               |               |           |               |
| KEY A, BLACK                 | 34986-2117           | A-BLK   | GC-5        | PLR | M        |        |  |   |   |   | 3 | 4  |   |   |   | 10 | 11 | 12 | 13 |    |    |    |          | SALEABLE |                                      | 349531610              | NOT AVAILABLE |               |               |               |               |               |               |           |               |
| KEY A, BLACK                 | 34986-2118           | A-BLK   | GC-5        | PLR | M        |        |  | 2 | 3 |   |   |    |   |   |   |    |    |    |    | 13 | 14 | 15 |          | SALEABLE |                                      | 349531610              | NOT AVAILABLE |               |               |               |               |               |               |           |               |
| KEY A, BLACK                 | 34986-2119           | A-BLK   | GC-5        | PLR | M        |        |  |   |   |   |   |    |   |   |   | 10 |    |    |    | 13 | 14 | 15 |          | SALEABLE |                                      | 349531610              | NOT AVAILABLE |               |               |               |               |               |               |           |               |
| KEY A, BLACK                 | 34986-2120           | A-BLK   | GC-5        | PLR | M        |        |  |   |   |   |   |    |   |   |   |    |    |    |    | 13 |    |    | 15       | SALEABLE |                                      | 349531610              | NOT AVAILABLE |               |               |               |               |               |               |           |               |
| KEY A, BLACK                 | 34986-2121           | A-BLK   | GC-5        | PLR | M        |        |  |   |   |   | 3 |    |   |   |   |    | 5  | 6  | 7  |    | 10 | 11 | 13       | 14       | 15                                   | SALEABLE               |               | 349531610     | NOT AVAILABLE |               |               |               |               |           |               |
| KEY A, BLACK                 | 34986-2122           | A-BLK   | GC-5        | PLR | M        |        |  |   |   |   |   |    |   |   |   |    | 6  | 7  |    |    |    |    |          | 14       | 15                                   | SALEABLE               |               | 349531610     | NOT AVAILABLE |               |               |               |               |           |               |
| KEY A, BLACK                 | 34986-2123           | A-BLK   | GC-5        | PLR | M        |        |  |   |   |   |   |    |   |   |   |    |    |    |    | 11 |    |    |          | 14       | 15                                   | SALEABLE               |               | 349531610     | NOT AVAILABLE |               |               |               |               |           |               |
| KEY A, BLACK                 | 34986-2124           | A-BLK   | GC-5        | PLR | M        |        |  | 2 | 3 |   |   |    |   |   |   |    | 6  | 7  |    |    |    |    | 14       | 15       | SALEABLE                             |                        | 349531610     | NOT AVAILABLE |               |               |               |               |               |           |               |
| KEY A, BLACK                 | 34986-2125           | A-BLK   | GC-5        | PLR | M        |        |  | 2 |   |   |   |    |   |   |   |    | 5  |    |    |    | 10 | 11 | 12       |          | 14                                   | 15                     | SALEABLE      |               | 349531610     | NOT AVAILABLE |               |               |               |           |               |
| KEY A, BLACK                 | 34986-2126           | A-BLK   | GC-5        | PLR | M        |        |  |   |   |   |   |    |   |   |   |    | 6  | 7  |    |    |    |    |          |          | 15                                   | SALEABLE               |               | 349531610     | NOT AVAILABLE |               |               |               |               |           |               |
| KEY A, BLACK                 | 34986-2127           | A-BLK   | GC-5        | PLR | M        |        |  |   |   |   | 3 |    |   |   |   |    | 5  | 6  | 7  |    | 10 |    |          | 13       | 14                                   | 15                     | SALEABLE      |               | 349531610     | NOT AVAILABLE |               |               |               |           |               |
| KEY A, BLACK                 | 34986-2128           | A-BLK   | GC-5        | PLR | M        |        |  |   |   |   |   |    |   |   |   |    |    |    |    | 11 |    |    |          |          |                                      | 14                     | 15            | SALEABLE      |               | 349531610     | NOT AVAILABLE |               |               |           |               |
| KEY A, BLACK                 | 34986-2129           | A-BLK   | GC-5        | PLR | M        |        |  | 2 | 3 |   |   |    |   |   |   |    | 5  |    |    | 7  |    |    |          | 12       | 13                                   | 14                     | 15            | SALEABLE      |               | 349531610     | NOT AVAILABLE |               |               |           |               |
| KEY A, BLACK                 | 34986-2130           | A-BLK   | GC-5        | PLR | M        |        |  | 2 |   |   |   |    |   |   |   |    | 5  |    |    | 7  |    |    |          | 12       | 13                                   | 14                     | 15            | SALEABLE      |               | 349531610     | NOT AVAILABLE |               |               |           |               |
| KEY A, BLACK                 | 34986-2131           | A-BLK   | GC-5        | PLR | M        |        |  | 2 |   |   |   |    |   |   |   |    |    |    |    | 11 | 12 |    |          |          |                                      |                        |               | SALEABLE      |               | 349531610     | NOT AVAILABLE |               |               |           |               |
| KEY A, BLACK                 | 34986-2132           | A-BLK   | GC-5        | PLR | M        |        |  | 2 | 3 |   |   |    |   |   |   |    | 5  |    |    | 7  |    |    |          | 11       | 12                                   |                        |               | SALEABLE      |               | 349531610     | NOT AVAILABLE |               |               |           |               |
| KEY A, BLACK                 | 34986-2133           | A-BLK   | GC-5        | PLR | M        |        |  | 2 |   |   |   |    |   |   |   |    | 5  |    |    | 7  |    |    | 10       | 11       | 12                                   | 13                     | 14            | SALEABLE      |               | 349531610     | NOT AVAILABLE |               |               |           |               |
| KEY A, BLACK                 | 34986-2134           | A-BLK   | GC-5        | PLR | M        |        |  | 2 | 3 |   |   |    |   |   |   |    |    |    |    | 7  |    |    |          |          |                                      |                        |               | SALEABLE      |               | 349531610     | NOT AVAILABLE |               |               |           |               |
| KEY A, BLACK                 | 34986-2135           | A-BLK   | GC-5        | PLR | M        |        |  | 2 | 3 |   |   |    |   |   |   |    | 6  |    |    |    |    |    | 10       | 11       | 12                                   | 13                     | 14            | 15            | SALEABLE      |               | 349531610     | NOT AVAILABLE |               |           |               |
| KEY A, BLACK                 | 34986-2136           | A-BLK   | GC-5        | PLR | M        |        |  | 2 | 3 | 4 |   |    |   |   |   |    | 5  |    |    |    |    |    |          |          | 14                                   | 15                     | SALEABLE      |               | 349531610     | NOT AVAILABLE |               |               |               |           |               |
| KEY A, BLACK                 | 34986-2137           | A-BLK   | GC-5        | PLR | M        |        |  | 2 | 3 |   |   |    |   |   |   |    |    |    |    | 7  |    |    |          | 10       | 11                                   | 12                     |               | SALEABLE      |               | 349531610     | NOT AVAILABLE |               |               |           |               |
| KEY A, BLACK                 | 34986-2138           | A-BLK   | GC-5        | PLR | M        |        |  | 2 | 3 | 4 |   |    |   |   |   |    | 5  | 6  | 7  |    |    |    |          | 13       | 14                                   | 15                     | SALEABLE      |               | 349531610     | NOT AVAILABLE |               |               |               |           |               |
| KEY A, BLACK                 | 34986-2139           | A-BLK   | GC-5        | PLR | M        |        |  | 2 | 3 |   |   |    |   |   |   |    | 5  | 6  |    |    |    |    |          |          |                                      |                        |               | SALEABLE      |               | 349531610     | NOT AVAILABLE |               |               |           |               |
| KEY A, BLACK                 | 34986-2140           | A-BLK   | GC-5        | PLR | M        |        |  | 2 | 3 |   |   |    |   |   |   |    | 6  | 7  |    |    |    |    |          |          |                                      |                        |               | SALEABLE      |               | 349531610     | NOT AVAILABLE |               |               |           |               |
| KEY A, BLACK                 | 34986-2141           | A-BLK   | GC-5        | PLR | M        |        |  | 2 | 3 |   |   |    |   |   |   |    |    |    |    |    |    |    |          |          |                                      | 14                     | 15            | SALEABLE      |               | 349531610     | NOT AVAILABLE |               |               |           |               |
| KEY A, BLACK                 | 34986-2142           | A-BLK   | GC-5        | PLR | M        |        |  |   |   |   |   |    |   |   |   |    | 5  | 6  |    |    |    |    |          |          |                                      |                        |               | SALEABLE      |               | 349531610     | NOT AVAILABLE |               |               |           |               |
| KEY A, BLACK                 | 34986-2143           | A-BLK   | GC-5        | PLR | M        |        |  |   |   |   | 3 | 4  |   |   |   |    | 5  | 6  |    |    |    |    | 10       | 11       | 12                                   | 13                     | 14            | 15            | SALEABLE      |               | 349531610     | NOT AVAILABLE |               |           |               |
| KEY A, BLACK                 | 34986-2144           | A-BLK   | GC-5        | PLR | M        |        |  |   |   |   |   |    |   |   |   |    | 5  |    |    | 7  |    |    |          |          |                                      |                        |               | SALEABLE      |               | 349531610     | NOT AVAILABLE |               |               |           |               |
| KEY A, BLACK                 | 34986-2145           | A-BLK   | GC-5        | PLR | M        |        |  |   |   |   |   |    |   |   |   |    |    |    |    |    | 12 | 13 |          |          |                                      |                        |               | SALEABLE      |               | 349531610     | NOT AVAILABLE |               |               |           |               |
| KEY A, BLACK                 | 34986-2146           | A-BLK   | GC-5        | PLR | M        |        |  |   |   |   |   |    |   |   |   |    | 5  |    |    |    |    |    |          |          |                                      | 14                     | 15            | SALEABLE      |               | 349531610     | NOT AVAILABLE |               |               |           |               |
| KEY A, BLACK                 | 34986-2147           | A-BLK   | GC-5        | PLR | M        |        |  | 2 | 3 |   |   |    |   |   |   |    | 5  |    |    | 7  |    |    |          |          |                                      |                        |               | SALEABLE      |               | 349531610     | NOT AVAILABLE |               |               |           |               |
| KEY A, BLACK                 | 34986-2148           | A-BLK   | GC-5        | PLR | M        |        |  | 2 |   |   |   |    |   |   |   |    | 5  | 6  |    |    |    |    |          |          |                                      |                        |               | SALEABLE      |               | 349531610     | NOT AVAILABLE |               |               |           |               |
| KEY A, BLACK                 | 34986-2149           | A-BLK   | GC-5        | PLR | M        |        |  |   |   |   |   |    |   |   |   |    |    |    |    |    | 11 |    |          | 13       | 14                                   | 15                     | SALEABLE      |               | 349531610     | NOT AVAILABLE |               |               |               |           |               |
| KEY A, BLACK                 | 34986-2150           | A-BLK   | GC-5        | PLR | M        |        |  |   |   |   | 3 | 4  |   |   |   |    | 5  | 6  |    |    |    |    |          | 10       |                                      |                        |               | 12            | 13            | 14            | 15            | SALEABLE      |               | 349531610 | NOT AVAILABLE |
| KEY A, BLACK                 | 34986-2151           | A-BLK   | GC-5        | PLR | M        |        |  |   |   |   |   |    |   |   |   |    |    |    |    |    | 12 |    |          |          |                                      |                        |               |               | SALEABLE      |               | 349531610     | NOT AVAILABLE |               |           |               |
| KEY A, BLACK                 | 34986-2152           | A-BLK   | GC-5        | PLR | M        |        |  |   |   |   | 3 | 4  |   |   |   |    | 5  | 6  | 7  |    |    |    | 10       | 11       |                                      |                        | 13            | 14            | 15            | SALEABLE      |               | 349531610     | NOT AVAILABLE |           |               |
| KEY A, BLACK                 | 34986-2153           | A-BLK   | GC-5        | PLR | M        |        |  | 2 | 3 | 4 |   |    |   |   |   |    | 6  | 7  |    |    |    |    | 10       | 11       |                                      |                        | 13            | 14            | 15            | SALEABLE      |               | 349531610     | NOT AVAILABLE |           |               |
| KEY A, BLACK                 | 34986-2154           | A-BLK   | GC-5        | PLR | M        |        |  |   |   |   |   |    |   |   |   |    |    |    |    |    | 6  |    |          |          |                                      |                        |               |               | SALEABLE      |               | 349531610     | NOT AVAILABLE |               |           |               |
| KEY A, BLACK                 | 34986-2155           | A-BLK   | GC-5        | PLR | M        |        |  | 2 | 3 | 4 |   |    |   |   |   |    | 5  | 6  | 7  |    |    |    | 10       |          |                                      |                        |               |               | SALEABLE      |               | 349531610     | NOT AVAILABLE |               |           |               |
| KEY A, BLACK                 | 34986-2156           | A-BLK   | GC-5        | PLR | M        |        |  |   |   |   | 3 | 4  |   |   |   |    | 5  |    |    |    |    |    |          | 10       | 11                                   |                        |               |               | 15            | SALEABLE      |               | 349531610     | NOT AVAILABLE |           |               |
| KEY A, BLACK                 | 34986-2157           | A-BLK   | GC-5        | PLR | M        |        |  |   |   |   | 3 | 4  |   |   |   |    | 5  | 6  | 7  |    |    |    |          |          |                                      |                        |               |               | SALEABLE      |               | 349531610     | NOT AVAILABLE |               |           |               |
| KEY A, YELLOW                | 34986-2158           | A-YW  | GC-5        | PLR | M        |        |  |   |   |   |   |    |   |   |   |    | 4  | 5  | 6  | 7  |    |    | 10       | 11       | 12                                   | 13                     | 14            | 15            | SALEABLE      |               | 349531610     | NOT AVAILABLE |               |           |               |
| KEY A, BLACK                 | 34986-2159           | A-BLK   | GC-5        | PLR | M        |        |  |   |   |   | 3 | 4  |   |   |   |    | 5  |    |    |    |    |    | 10       |          |                                      |                        |               |               | SALEABLE      |               | 349531610     | NOT AVAILABLE |               |           |               |
| KEY A, BLACK                 | 34986-2160           | A-BLK   | GC-5        | PLR | M        |        |  | 2 |   |   |   |    |   |   |   |    | 5  | 6  |    |    |    |    |          |          |                                      |                        |               |               | SALEABLE      |               | 349531610     | NOT AVAILABLE |               |           |               |
| KEY A, BLACK                 | 34986-2161           | A-BLK   | GC-5        | PLR | M        |        |  | 2 |   |   |   |    |   |   |   |    | 5  | 6  | 7  |    |    |    | 10       | 11       |                                      |                        | 14            | 15            | SALEABLE      |               | 349531610     | NOT AVAILABLE |               |           |               |
| KEY A, BLACK                 | 34986-2162           | A-BLK   | GC-5        | PLR | M        |        |  |   |   |   |   |    |   |   |   |    | 6  |    |    |    |    |    | 10       | 11       | 12                                   |                        |               |               | SALEABLE      |               | 349531610     | NOT AVAILABLE |               |           |               |
| KEY A, BLACK                 | 34986-2163           | A-BLK   | GC-5        | PLR | M        |        |  |   |   |   |   |    |   |   |   |    | 6  | 7  |    |    |    |    |          |          |                                      |                        |               |               | SALEABLE      |               | 349531610     | NOT AVAILABLE |               |           |               |
| KEY A, BLACK                 | 34986-2164           | A-BLK   | GC-5        | PLR | M        |        |  |   |   |   | 3 | 4  |   |   |   |    | 5  | 6  | 7  |    |    |    |          |          |                                      |                        | 15            | SALEABLE      |               | 349531610     | NOT AVAILABLE |               |               |           |               |
| KEY B, LIGHT GRAY            | 34986-2165           | B-LG  | GC-5        | PLR | M        |        |  |   |   |   |   |    |   |   |   |    |    |    |    |    |    |    |          |          |                                      |                        |               |               | SALEABLE      |               | 349531610     | NOT AVAILABLE |               |           |               |
| KEY A, BLACK                 | 34986-2166           | A-BLK   | GC-5        | PLR | M        |        |  | 2 |   |   |   |    |   |   |   |    | 5  | 6  | 7  |    |    |    | 11       | 12       |                                      |                        |               | 15            | SALEABLE      |               | 349531610     | NOT AVAILABLE |               |           |               |
| KEY A, BLACK                 | 34986-2167           | A-BLK   | GC-5        | PLR | M        |        |  | 2 |   |   |   |    |   |   |   |    | 4  | 5  | 6  | 7  |    |    | 10       | 11       | 12                                   | 13                     | 14            | 15            | SALEABLE      |               | 349531610     | NOT AVAILABLE |               |           |               |
| KEY A, BLACK                 | 34986-2168           | A-BLK   | GC-5        | PLR | M        |        |  | 2 |   |   |   |    |   |   |   |    |    |    |    |    |    |    |          |          |                                      |                        |               |               | SALEABLE      |               | 349531610     | NOT AVAILABLE |               |           |               |
| KEY A, BLACK                 | 34986-2169           | A-BLK   | GC-5        | PLR | M        |        |  |   |   |   | 3 |    |   |   |   |    |    |    |    |    |    |    |          |          |                                      |                        |               |               | SALEABLE      |               | 349531610     | NOT AVAILABLE |               |           |               |
| KEY A, BLACK                 | 34986-2170           | A-BLK   | GC-5        | PLR | M        |        |  |   |   |   | 3 |    |   |   |   |    |    |    |    |    |    |    |          |          |                                      |                        |               |               | SALEABLE      |               | 349531610     | NOT AVAILABLE |               |           |               |
| KEY A, BLACK                 | 34986-2171           | A-B   |             |     |          |        |  |   |   |   |   |    |   |   |   |    |    |    |    |    |    |    |          |          |                                      |                        |               |               |               |               |               |               |               |           |               |

MX150 16 WAY HYBRID BLADE SEALED ASSEMBLY MAT SEAL (2.8mm CAVITIES OPEN)
BOM AND PIN OUT SHEET

Table with columns: ASSEMBLY DESCRIPTION, ASSEMBLY PART NUMBER, COMPONENT (HOUSING KEY/COLOR, GROMMET CAP, PLR, MAT SEAL, SB QTY), BLOCKED TERMINALS (1-16), STATUS, COMMENTS, and OPTIONAL ATTACHMENTS SOLD SEPARATELY (BACKSHELL WITH RIBS, BACKSHELL WITHOUT RIBS).

**MX150 16 WAY HYBRID BLADE SEALED ASSEMBLY MAT SEAL (2.8mm CAVITIES OPEN)  
BOM AND PIN OUT SHEET**

| ASSEMBLY DESCRIPTION | ASSEMBLY PART NUMBER | COMPONENT   |             |     |          |        | BLOCKED TERMINALS  |   |   |   |   |   |   |   |    |    |    |    |    |    |    |    | STATUS   | COMMENTS | OPTIONAL ATTACHMENTS SOLD SEPERATELY |                        |
|----------------------|----------------------|---|-------------|-----|----------|--------|--|---|---|---|---|---|---|---|----|----|----|----|----|----|----|----|----------|----------|--------------------------------------|------------------------|
|                      |                      | THE PRESENCE OF AN ABBREVIATION INDICATES THE PRESENCE OF THAT COMPONENT. |             |     |          |        | CAVITY WITH A NUMBER INDICATES BLOCKED TERMINAL POSITION<br>CAVITY WITHOUT A NUMBER INDICATES OPEN TERMINAL POSITION |   |   |   |   |   |   |   |    |    |    |    |    |    |    |    |          |          | BACKSHELL WITH RIBS                  | BACKSHELL WITHOUT RIBS |
|                      |                      | HOUSING KEY/COLOR   | GROMMET CAP | PLR | MAT SEAL | SB QTY | 1  | 2 | 3 | 4 | 5 | 6 | 7 | 8 | 9  | 10 | 11 | 12 | 13 | 14 | 15 | 16 |          |          |                                      |                        |
| KEY B, LIGHT GRAY    | 34986-2288           | B-LG  | GC-S        | PLR | M        |        |  |   |   |   |   |   |   |   |    |    |    | 12 |    | 14 |    |    | SALEABLE |          | 349531610                            | NOT AVAILABLE          |
| KEY A, BLACK         | 34986-2289           | A-BLK   | GC-S        | PLR | M        |        |  |   | 4 | 5 | 6 |   |   |   |    |    |    |    |    |    |    |    | SALEABLE |          | 349531610                            | NOT AVAILABLE          |
| KEY B, LIGHT GRAY    | 34986-2290           | B-LG  | GC-S        | PLR | M        |        |  |   |   |   |   |   |   |   |    |    |    | 11 |    |    |    |    | SALEABLE |          | 349531610                            | NOT AVAILABLE          |
| KEY B, LIGHT GRAY    | 34986-2291           | B-LG  | GC-S        | PLR | M        |        | 2  | 3 | 4 | 5 |   | 7 |   |   |    |    |    |    |    | 14 | 15 |    | SALEABLE |          | 349531610                            | NOT AVAILABLE          |
| KEY A, BLACK         | 34986-2292           | A-BLK   | GC-S        | PLR | M        |        | 2  |   |   | 5 |   | 7 |   |   | 10 | 11 | 12 |    | 13 |    | 15 |    | SALEABLE |          | 349531610                            | NOT AVAILABLE          |
| KEY A, BLACK         | 34986-2293           | A-BLK   | GC-S        | PLR | M        |        | 2  |   |   | 5 |   | 7 |   |   | 10 | 11 | 12 |    |    |    | 15 |    | SALEABLE |          | 349531610                            | NOT AVAILABLE          |
| KEY A, BLACK         | 34986-2294           | A-BLK   | GC-S        | PLR | M        |        | 2  | 3 | 4 |   |   |   |   |   | 10 | 11 | 12 |    |    | 14 | 15 |    | SALEABLE |          | 349531610                            | NOT AVAILABLE          |
| KEY A, BLACK         | 34986-2295           | A-BLK   | GC-S        | PLR | M        |        |  |   | 4 |   |   |   |   |   | 10 | 11 | 12 |    | 13 |    |    |    | SALEABLE |          | 349531610                            | NOT AVAILABLE          |
| KEY A, BLACK         | 34986-2296           | A-BLK   | GC-S        | PLR | M        |        |  |   | 4 |   |   |   |   |   |    | 11 | 12 |    | 13 |    | 15 |    | SALEABLE |          | 349531610                            | NOT AVAILABLE          |
| KEY A, BLACK         | 34986-2297           | A-BLK   | GC-S        | PLR | M        |        | 2  | 3 |   |   | 6 | 7 |   |   | 10 | 11 |    |    |    | 14 | 15 |    | SALEABLE |          | 349531610                            | NOT AVAILABLE          |
| KEY A, BLACK         | 34986-2298           | A-BLK   | GC-S        | PLR | M        |        | 2  |   |   | 5 |   | 7 |   |   | 10 | 11 |    |    | 13 |    | 15 |    | SALEABLE |          | 349531610                            | NOT AVAILABLE          |
| KEY A, BLACK         | 34986-2299           | A-BLK   | GC-S        | PLR | M        |        |  |   | 4 | 5 | 6 |   |   |   | 10 | 11 | 12 |    |    | 14 | 15 |    | SALEABLE |          | 349531610                            | NOT AVAILABLE          |