



Electrical specifications

Center Frequency(CF): 20 MHz
Bandwidth: 2 MHz
Passband: 19-21 MHz
Insertion Loss1: 2 dB Max @ CF
Insertion Loss2: 3dB ± 0.5dB Max @ 18 MHz
Insertion Loss3: 3dB ± 0.5dB Max @ 22 MHz
Return Loss: 15 dB Min
Rejection1: 50 ± 2dB Min @ 15 MHz
Rejection2: 50 ± 2dB Min @ 26.4 MHz

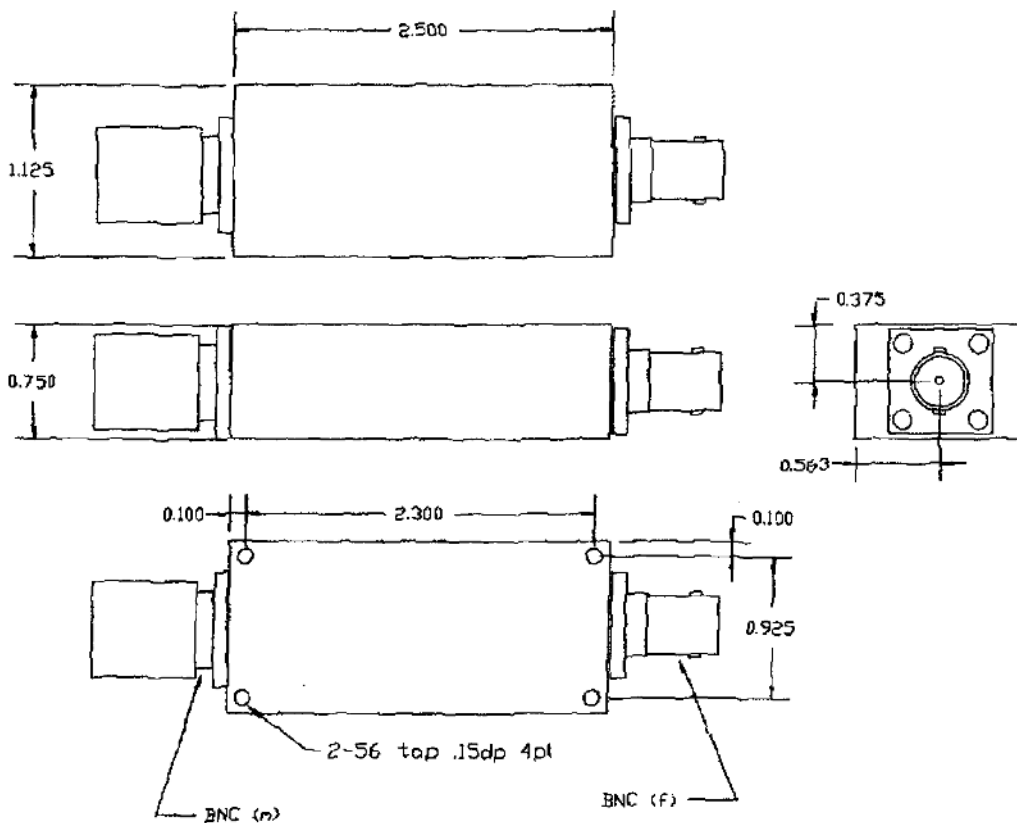
Mechanical

Dimensions: 0.984 x 0.4 x 0.39 inches
Connector Type: BNC (Male/Female)

Environmental

Operating Temperature: -40 to +70° C

Outline Drawing:



DWG 988721 a.js 05/07/07
 Outline Drawing
 Anatech Electronics Inc.
 (988731)

Tolerance: +/-0.01 inches [+/- 0.3mm]
 Angles: +/- 1 Deg.

*Tolerance as shown unless otherwise specified in the datasheet electrical specification tables above.
 *When max dimensions are called out the above tolerances do not apply as long as it is under the max call out.



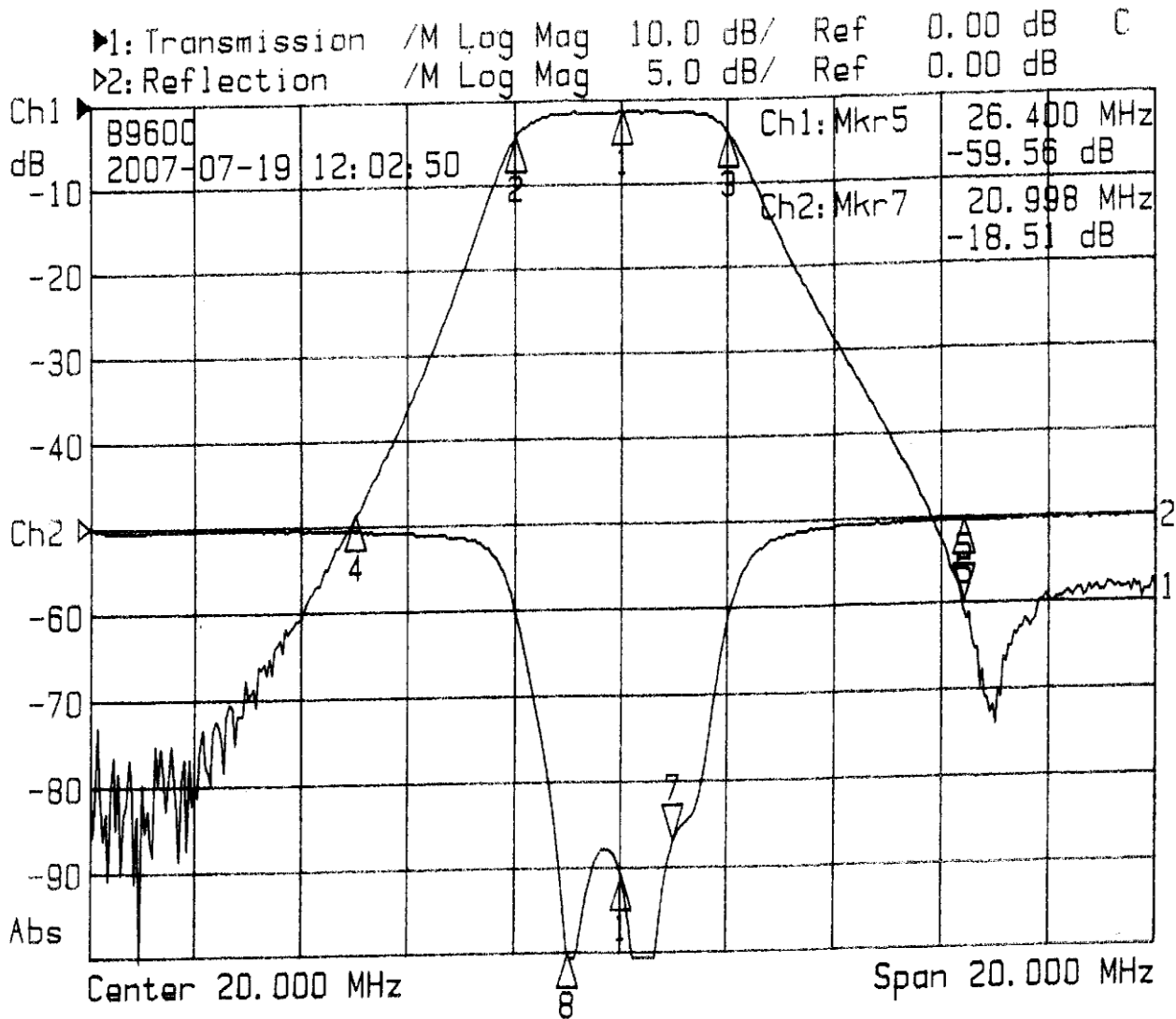
ANATECH ELECTRONICS INC
RF & Microwave Filters & Products

20 MHz LC Bandpass Filter

Part Number: AE20B9600



Response Plot:



1: Mkr (MHz)	dB	2: Mkr (MHz)	dB
1: 20.00	-1.34	1: 20.00	-20.54
2: 18.00	-4.41		
3: 22.00	-4.09		
4: 15.00	-48.71		
5> 26.40	-59.56	5: 26.40	-0.16
		7> 21.00	-18.51
		8: 19.00	-25.00