

# QPD 5P/ 3,0-PVC/5P 5X2,5 BK - Connecting cable



1408721

<https://www.phoenixcontact.com/us/products/1408721>

Please be informed that the data shown in this PDF document is generated from our online catalog. Please find the complete data in the user documentation. Our general terms of use for downloads are valid.

Preassembled QUICKON connectors, 4+PE, black, with 5x 2.5 PVC cable, length: 3.0 m



## Your advantages

- Innovative and time saving - QUICKON fast connection for time saving of up to 80 % for on-site connection
- Robust throughout: housing with IP68/IP69K and IK07 protection for a wide range of applications
- Safer connection with mechanical coding to protect against mismatching, and touch-proof protection in accordance with DIN EN 0105
- Easy maintenance – the connectors enable fast device replacement and preassembled cables simplify startup

## Commercial data

Item number	1408721
Packing unit	1 pc
Minimum order quantity	1 pc
Sales key	BF50
Product key	BF6GCX
Catalog page	Page 495 (C-2-2019)
GTIN	4046356827195
Weight per piece (including packing)	863.5 g
Weight per piece (excluding packing)	22.22 g
Customs tariff number	85444290
Country of origin	PL

# QPD 5P/ 3,0-PVC/5P 5X2,5 BK - Connecting cable



1408721

<https://www.phoenixcontact.com/us/products/1408721>

## Technical data

### Product properties

Type	QPD 5x2,5
Product type	Assembled installation cable
Product family	QPD
Number of positions	5
Connection profile	4+PE
Position marking	1, 2, 3, N, PE
Number of connections per position	1
Series	QPD

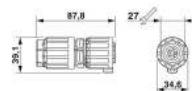
### Insulation characteristics

Overvoltage category	III
Degree of pollution	3

### Electrical properties

Rated surge voltage (II/2)	8 kV
Rated surge voltage (III/2)	8 kV
Rated surge voltage (III/3)	6 kV
Rated current	20 A
Contact resistance	< 4 mΩ
rated voltage (II/2)	1000 V
rated voltage (III/2)	1000 V
Rated voltage (III/3)	690 V
Nominal voltage $U_N$	690 V AC 690 V DC
Nominal current $I_N$	20 A

### Dimensions

Dimensional drawing	
Width	34.6 mm
Height	39.1 mm
Length	3.18 mm
Diameter	34.6 mm
Wrench size, union nut	27 mm

### Material specifications

Material	PA
Flammability rating according to UL 94	V0
Contact material	Cu

# QPD 5P/ 3,0-PVC/5P 5X2,5 BK - Connecting cable



1408721

<https://www.phoenixcontact.com/us/products/1408721>

Contact surface material	silver-plated
Contact carrier material	PA

## Cable/line

Cable length	3 m
--------------	-----

### PVC gray [PVC]

Shielded	no
Cable weight	242 kg/km
Cable type	PVC gray
Cable type (abbreviation)	PVC
External cable diameter	11.8 mm
Outer sheath, material	PVC
External sheath, color	gray RAL 7001
Conductor material	Bare Cu litz wires
Conductor structure, voltage supply	50x 0.25 mm
Conductor cross section	5x 2.5 mm <sup>2</sup>
AWG power supply	14
Material wire insulation	PVC
Single wire, color	blue, brown, black, gray, green/yellow
Overall twist	5 cores, twisted
Nominal voltage, cable	750 V 1000 V (Fixed, protected installation)
Test voltage, cable	4000 V
Cable insulation resistance	> 0.2 MΩ*km
Minimum bending radius, fixed installation	4 x D
Minimum bending radius, flexible installation	15 x D
Flame resistance	according to IEC 60332-1-2
Ambient temperature (operation)	-5 °C ... 70 °C (Cable, flexible installation) -40 °C ... 80 °C (cable, fixed installation)

## Mechanical properties

### Mechanical data

Insertion/withdrawal cycles	max. 50
-----------------------------	---------

## Environmental and real-life conditions

### Ambient conditions

Degree of protection	IP66 IP68 (2 m / 24 h) IP69K
Ambient temperature (operation)	-40 °C ... 100 °C
Temperature when conductor connected	-5 °C ... 50 °C
Ambient temperature (storage/transport)	-40 °C ... 80 °C

# QPD 5P/ 3,0-PVC/5P 5X2,5 BK - Connecting cable



1408721

<https://www.phoenixcontact.com/us/products/1408721>

## Mounting

Connection method

QUICKON fast connection

# QPD 5P/ 3,0-PVC/5P 5X2,5 BK - Connecting cable

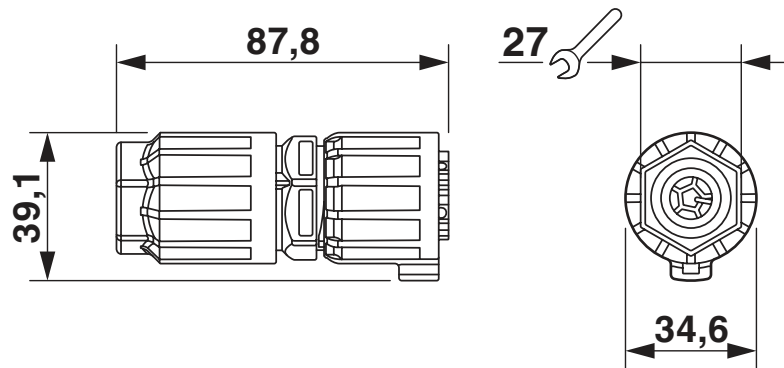
1408721

<https://www.phoenixcontact.com/us/products/1408721>



## Drawings

Dimensional drawing



Dimensional drawing: connector, 2.5 mm<sup>2</sup>

# QPD 5P/ 3,0-PVC/5P 5X2,5 BK - Connecting cable



1408721

<https://www.phoenixcontact.com/us/products/1408721>

## Classifications

### ECLASS

ECLASS-11.0	27440604
ECLASS-12.0	27440604

### ETIM

ETIM 8.0	EC002587
----------	----------

### UNSPSC

UNSPSC 21.0	39121402
-------------	----------

# QPD 5P/ 3,0-PVC/5P 5X2,5 BK - Connecting cable



1408721

<https://www.phoenixcontact.com/us/products/1408721>

## Environmental product compliance

China RoHS	Environmentally friendly use period: unlimited = EFUP-e
	No hazardous substances above threshold values

Phoenix Contact 2023 © - all rights reserved  
<https://www.phoenixcontact.com>

Phoenix Contact USA  
586 Fulling Mill Road  
Middletown, PA 17057, United States  
(+717) 944-1300  
[info@phoenixcon.com](mailto:info@phoenixcon.com)