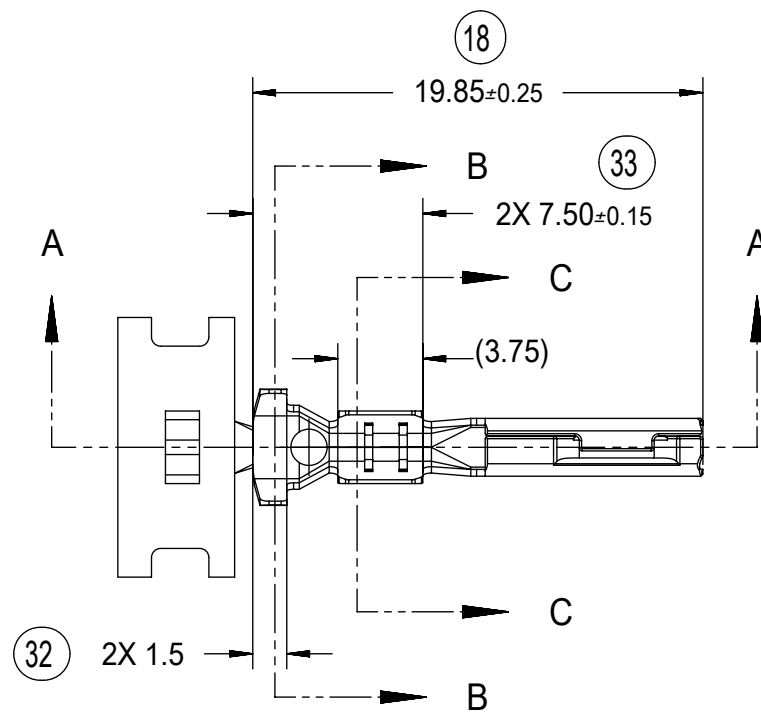
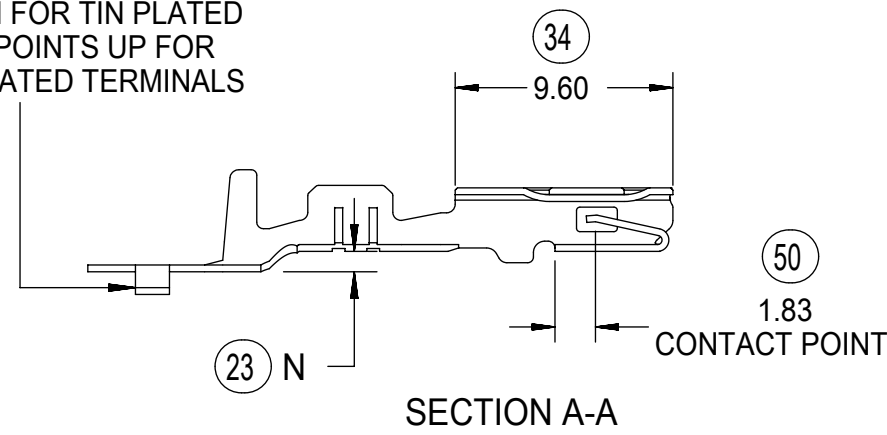
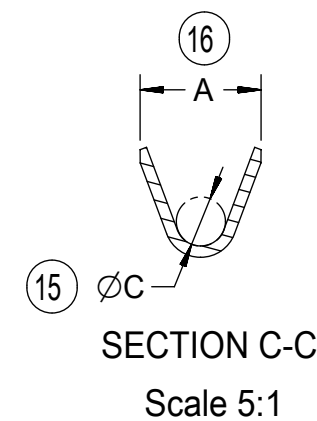
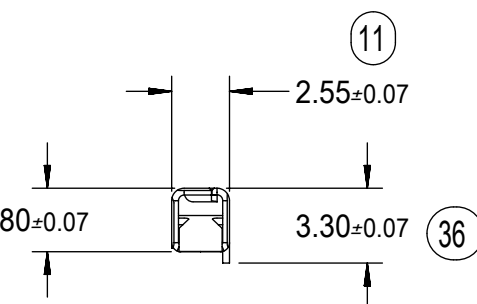
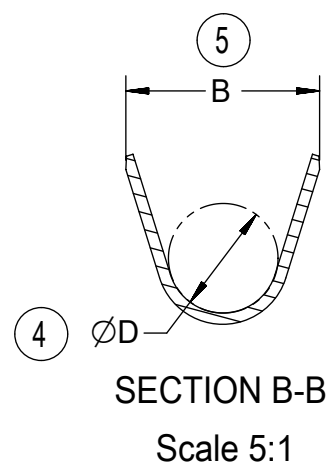
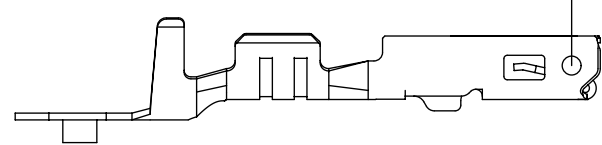


CARRIER BUMP DIRECTION  
POINTS DOWN FOR TIN PLATED  
TERMINALS, POINTS UP FOR  
PRECIOUS PLATED TERMINALS



STAMP PLATING TYPE (Au-GOLD),  
(Sn-TIN) OR (Ag-SILVER) IN THIS AREA



(11.43)  
PROGRESSION

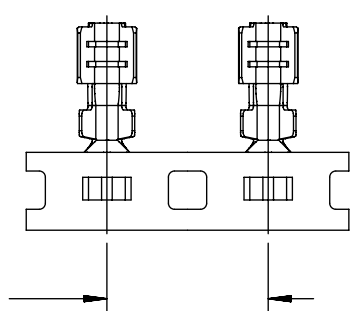


TABLE 1 - TERMINAL PART NUMBER AND DIMENSION REFERENCE

FAMILY	GENDER	SEALING	PLATING	PART NUMBER	PAYOFF DIRECTION	GRIP CODE	WIRE SIZES*	A ±0.3	B ±0.20	C ±0.3	D ±0.15	N ±0.10	SPECIAL CHARACTERISTICS
MX150	RECEPTACLE	WIRE SEAL	Sn	34083-2003	RIGHT (B)	22	22AWG	2.5	4.85	0.9	2.90	0.55	HIGH PERFORMANCE Sn
				34083-3003	LEFT (D)		0.35-0.50mm <sup>2</sup>						
				34083-2002	RIGHT (B)	18	20/18AWG	3.3	5.00	1.3	2.90	0.70	
				34083-3002	LEFT (D)		0.75-1.00mm <sup>2</sup>						
				34083-2001	RIGHT (B)	14	16/14AWG	3.6	5.00	1.7	2.90	0.90	
				34083-3001	LEFT (D)		1.50-2.00mm <sup>2</sup>						
			Au	34081-2005	RIGHT (B)	22	22AWG	2.5	4.85	0.9	2.90	0.55	HIGH PERFORMANCE Au
				34081-3005	LEFT (D)		0.35-0.50mm <sup>2</sup>						
				34081-2004	RIGHT (B)	18	20/18AWG	3.3	5.00	1.3	2.90	0.70	
				34081-3004	LEFT (D)		0.75-1.00mm <sup>2</sup>						
				34081-2003	RIGHT (B)	14	16/14AWG	3.6	5.00	1.7	2.90	0.90	
				34081-3003	LEFT (D)		1.50-2.00mm <sup>2</sup>						
Ag	34081-4003	RIGHT (B)	22	22AWG	2.5	4.85	0.9	2.90	0.55	HIGH PERFORMANCE Ag			
	34081-5003	LEFT (D)		0.35-0.50mm <sup>2</sup>									
	34081-4002	RIGHT (B)	18	20/18AWG	3.3	5.00	1.3	2.90	0.70				
	34081-5002	LEFT (D)		0.75-1.00mm <sup>2</sup>									
	34081-4001	RIGHT (B)	14	16/14AWG	3.6	5.00	1.7	2.90	0.90				
	34081-5001	LEFT (D)		1.50-2.00mm <sup>2</sup>									

\* SEE AS-34083-002 FOR SPECIFIC WIRE TYPES

NOTES: (UNLESS OTHERWISE SPECIFIED)

- MATING TERMINAL SHOWN ON DRAWING SD-34080-001
- MATERIAL: ASTM B422, UNS C19025, HR04  
THICKNESS: 0.30 mm ±0.01  
TEMPER: FULL HARD (REF)  
TENSILE: 496 MIN MPA
- TIN PLATED TERMINAL FINISH  
OVERALL UNDERPLATE ELECTRODEPOSITED NICKEL  
OVERALL ELECTRODEPOSITED REFLOW TIN
- GOLD PLATED TERMINAL FINISH  
OVERALL UNDERPLATE ELECTRODEPOSITED DUCTILE SULFAMATE NICKEL  
CONTACT AREA - ELECTRODEPOSITED GOLD  
GRIP AREA - ELECTRODEPOSITED 100% TIN MATTE FINISH
- SILVER PLATED TERMINAL FINISH  
OVERALL UNDERPLATE ELECTRODEPOSITED DUCTILE SULFAMATE NICKEL  
CONTACT AREA - ELECTRODEPOSITED PURE SILVER (0.5% MAX IMPURITIES) SEMI-BRIGHT FINISH  
- SILVER ANTI-TARNISH : EVABRITE  
GRIP AREA - ELECTRODEPOSITED 100% TIN MATTE FINISH
- MEETS PERFORMANCE SPECIFICATION FOR CABLE TO TERMINAL ELECTRICAL CRIMPS PER SAE/USCAR-21 (5/2002)
- MEETS PERFORMANCE STANDARD FOR AUTOMOTIVE ELECTRICAL CONNECTOR SYSTEMS FOR SAE/USCAR-2 REV. 4 (TEMP CLASS 3) (5/2004)
- MEETS ELECTRICAL CONNECTION SYSTEM DESIGN SPECIFICATION (SDS) REV.11 (5/2002)
- MEETS FIELD CORRELATED LIFE TEST (FCLT) PER SAE/USCAR-20 (6/2004)
- INSERTION FORCE WITH INLINE BLADE TERMINAL:  
AVG. FORCE 3.1 N TIN (REFERENCE)  
2.7 N GOLD (REFERENCE)  
2.9 N SILVER (REFERENCE)
- REFERENCE FORD CAVITY SPECIFICATION 97BG-14474-ADA
- REFERENCE AS-34083-002 FOR CRIMP INFORMATION
- REFERENCE PK-31300-516 FOR REEL DIRECTION
- REFERENCE PS-34083-002 FOR PRODUCT SPECIFICATION

SYMBOLS	THIS DRAWING CONTAINS INFORMATION THAT IS PROPRIETARY TO MOLEX ELECTRONIC TECHNOLOGIES, LLC AND SHOULD NOT BE USED WITHOUT WRITTEN PERMISSION		CURRENT REV DESC:		molex		
DIMENSION UNITS	SCALE						
▽ = 0	mm	3:1					
▽ = 0	GENERAL TOLERANCES (UNLESS SPECIFIED)						
▽ = 0	ANGULAR TOL ± 3.0°						
▽ = 0	4 PLACES	±					
▽ = 0	3 PLACES	±					
▽ = 0	2 PLACES	± 0.10					
▽ = 0	1 PLACE	± 0.3					
▽ = 0	0 PLACES	±					
□ = 0	DRAFT WHERE APPLICABLE MUST REMAIN WITHIN DIMENSIONS						
▽ = 0	THIRD ANGLE PROJECTION						
		DRAWING	SERIES				
		C-SIZE	34083				
				EC NO: 628017			
				DRWN: NVENKATESHSH 2019/05/11			
				CHK'D: TOMSMITH 2019/12/23			
				APPR: TOMSMITH 2019/12/23			
				INITIAL REVISION:			
				DRWN: KFERGUSON 2009/04/14			
				APPR: BMOSEY 2009/04/14			
DOCUMENT NUMBER		DOC TYPE		DOC PART		REVISION	
SD-34083-002		PSD		001		B2	
MATERIAL NUMBER		CUSTOMER		SHEET NUMBER			
SEE TABLE		GENERAL MARKET		1 OF 1			

**molex**

MX 150 RECEPTACLE  
CABLE SEAL

PRODUCT CUSTOMER DRAWING