



**REED SWITCH DEVELOPMENTS CORP.**

2524 Norwood Court  
Racine, WI 53403  
Ph: (262)883-9060

[sales@reedswitchdevelopments.com](mailto:sales@reedswitchdevelopments.com)

**SPECIFICATION SHEET**

**2602-1901-400**

Alternate Part Number:

**AM2602-1901-10K01**

**Active / Equivalent Part Numbers:**

**2602-1901-400 - KIT - Contains**

(1) 2602-1901-100 - Magnetic Reed Sensor

(1) 2602-4002-000 - Magnetic Actuator

**AM2602-1901-10K01 - KIT - Contains**

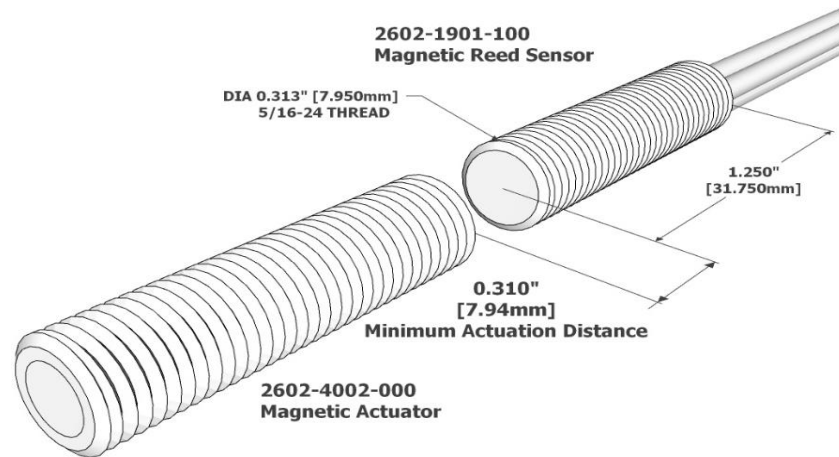
(1) AM2602-1901-10-01 - Magnetic Reed Sensor

(1) AM2602-4002-00-01 - Magnetic Actuator

**Sensor (Reed) - Specifications 1901**

<b>Physical</b>	Configuration	SPDT	
	Form	C	
	Contact Position	OFFSET	
	Glass L	14.00	mm
	Glass D	2.30	mm
	Total L*	55.00	mm
	Wire D	0.53	mm
	Gap Location	OFFSET	
	Mount Spec*	THRU	
	Contact Material	RHODIUM	
	Max Vibration Resistance	20	G
	Max Shock Resistance (11ms)	50	G
	Lead Tensile Strength	N/A	KG
	<b>Operating</b>	Pull in (+/- 2AT)*	15-20
Drop out*		5	AT
Operate Time		2.0	ms
Bounce Time		0.60	ms
Release Time		0.50	ms
Resonant Frequency		N/A	Hz
Max Operating Frequency		250	Hz
Operating Temperature Range		-40 - 105	°C
Storage Temperature		N/A	°C
<b>Electrical</b>		DC Contact Rating	20
	AC Contact Rating	20	VA
	DC Switching Voltage	150	VDC
	AC Switching Voltage	150	VAC
	DC Switching Current	1.00	A
	AC Switching Current	1.00	A
	DC Max Carry Current	2.00	A
	AC Max Carry Current	2.00	A
	Min Breakdown Voltage	200	VDC
	Max Initial Contact Resistance	150	mOhm
	Typical Initial Contact Resistance	N/A	mOhm
	Max Contact Capacitance	0.80	pF
	Min Insulation Resistance	10 <sup>9</sup>	Ohm

\* Pre-processed, bare reed element



All measurements are in Inches [millimeters]

**Sensor - Wire/Cable Characteristics (cont.)**

Type	Wire
Conductor Count	3
Length	6.0"/152.4mm
Colors	RED, BLK, WHT
Insulation Material	PVC
Gauge	24 AWG
Stranded Copper	7 STR-TC
Maximum Temp	105°C

**Conductor Configuration**

Common (COM) - WHITE
Normally Open (NO) - RED
Normally Closed (NC) - BLACK

**Housing Characteristics 2602**

Cylindrical Threaded (5/16-24)	
Length	1.250"/31.75mm
Diameter	0.313"/7.95mm
Material	Stainless Steel

**Standard Actuator: 2602-4002-000**

	Specifications	Description	UM
<b>Physical/Magnetic</b>	Magnetic Orientation	Through Length	
	Max Operating Temp.	975/525	°F/°C
	Curie Temp.	1580/860	°F/°C
	BR max	12.8	kGauss
	BH max	5.5	MGOe
	Coercive Force Hc	640	kOe
	Intrinsic Coercive Force Hci	640	kOe

**Std. Sensor/Actuator - Min. Actuation Dist.**

2602-4002-000	0.31"/7.9mm
---------------	-------------

**Assembly Certifications**

UL Recognized (File #: E102207)	Y
RoHS / REACH Compliant	Y
Conflict Free Material	Y

REV DATE: 10/06/2021

DISCLAIMER NOTICE: INFORMATION FURNISHED IS PROPRIETARY, AND IS BELIEVED TO BE ACCURATE AND RELIABLE, AND IS SUBJECT TO CHANGE WITHOUT NOTICE. IT SHALL BE THE RESPONSIBILITY OF THE BUYER TO ENSURE THAT THE GOODS ARE SUFFICIENT AND SUITABLE FOR THE PURPOSE OR PURPOSES INTENDED (WHETHER BY THE BUYER OR BY ANY THIRD PARTY) AND THAT THEIR CAPACITY AND PERFORMANCE IS NOT ADVERSELY AFFECTED BY ANY ITEMS USED IN THEIR INSTALLATION (WHERE RELEVANT) AND/OR IN CONNECTION WITH THEM.

**WBE Certified - State of Wisconsin - MFR CAGE CODE: 32604**

[www.reedswitchdevelopments.com](http://www.reedswitchdevelopments.com)