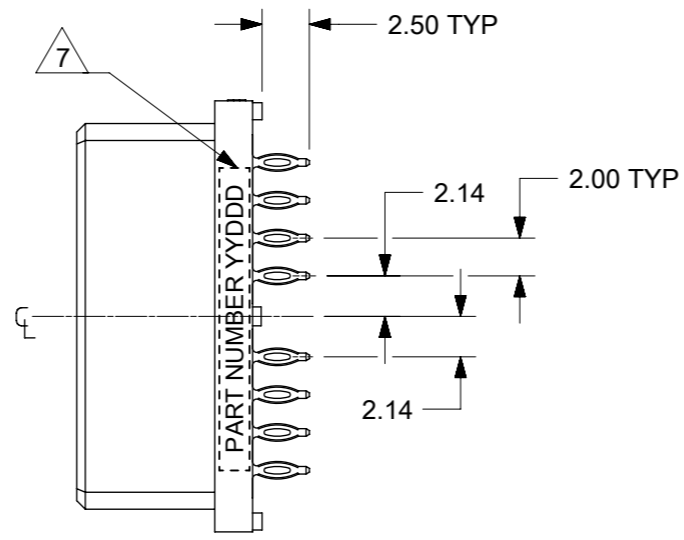
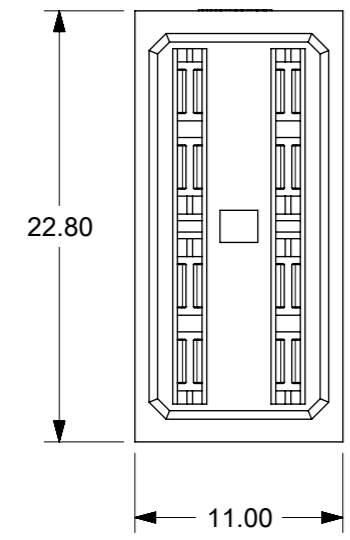
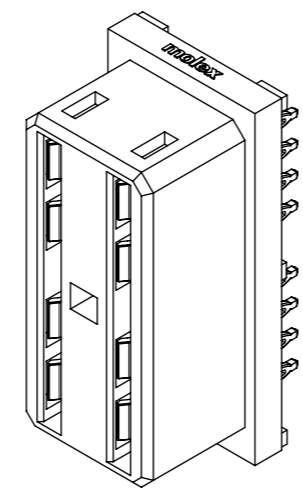
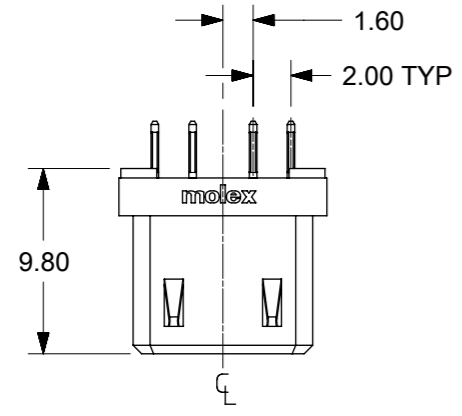


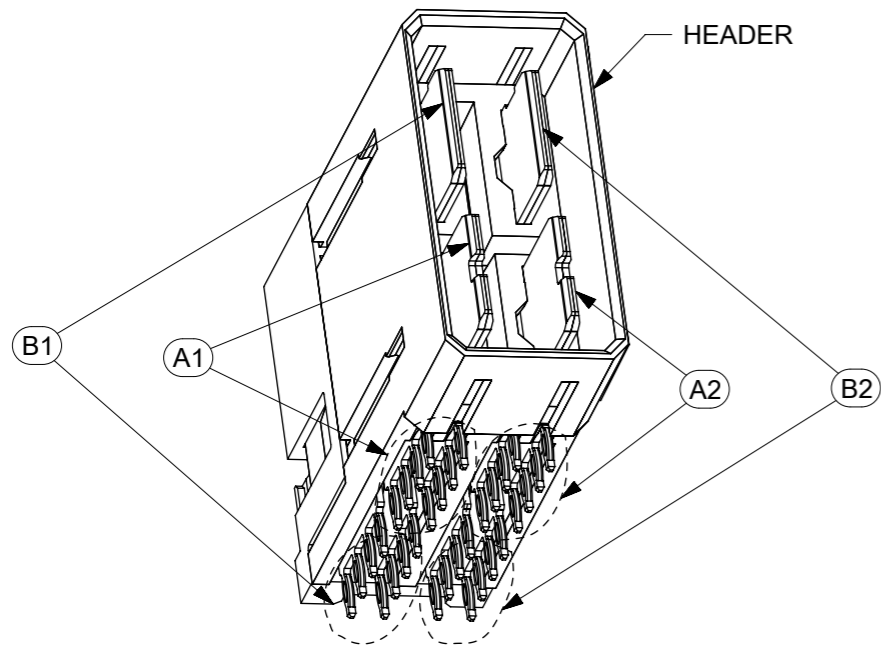
PART NUMBER	PLATING OPTION	PACKAGING
78216-1001	TIN	TRAY



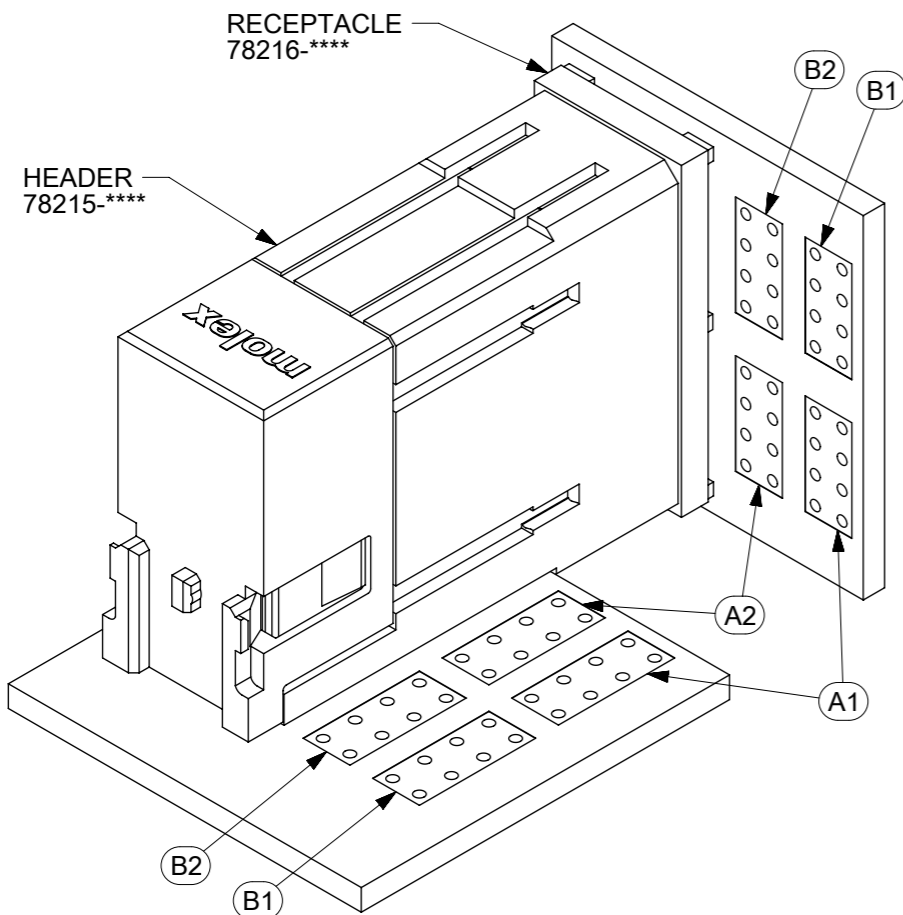
- NOTES:
- MATERIAL:
HOUSING - LCP, GLASS FILLED, UL94-V0, COLOR: BLACK
POWER PIN - COPPER ALLOY
 - FINISHES:
TIN - 0.76µm MINIMUM GOLD AT CONTACT AND
2.54µm MINIMUM TIN AT SOLDER TAIL AREA OVER
1.27µm MINIMUM NICKEL UNDERPLATE OVERALL.
 - PRODUCT SPECIFICATION: PS-78213-001.
 - PACKAGING SPECIFICATION: PK-78216-001.
 - MATES WITH 78446-****, 78442-**** or 78351-****
 - REFER TO SHEET 2 FOR RECOMMENDED PCB LAYOUT.
 - REFER TO PRODUCT SPECIFICATION PS-78213-001 FOR PLATED THROUGH-HOLE SPECIFICATIONS.
 - PART NUMBER AND DATE CODE (YYDDD) APPROXIMATELY SHOWN.
 - KEEP OUT ZONE FROM OTHER COMPONENTS.

THIS DRAWING CONTAINS INFORMATION THAT IS PROPRIETARY TO MOLEX ELECTRONIC TECHNOLOGIES, LLC AND SHOULD NOT BE USED WITHOUT WRITTEN PERMISSION		CURRENT REV DESC: MIGRATED TO NX		molex	
DIMENSION UNITS	SCALE	EC NO: 612508			
mm	NTS	DRWN: AAPPARAOTHAK 2019/02/07		PRODUCT CUSTOMER DRAWING	
GENERAL TOLERANCES (UNLESS SPECIFIED)		CHK'D: ABN 2019/03/12		DOCUMENT NUMBER	
ANGULAR TOL	± 3.0 °	APPR: CWANG25 2019/03/13		SD-78216-002	
4 PLACES	±	INITIAL REVISION:		DOC TYPE	DOC PART
3 PLACES	±	DRWN: KJKOH 2008/10/09		PSD	001
2 PLACES	± 0.25	APPR: SHONG 2008/10/09		REVISION	A5
1 PLACE	±	DRAFT WHERE APPLICABLE MUST REMAIN WITHIN DIMENSIONS		SHEET NUMBER	
0 PLACES	±	THIRD ANGLE PROJECTION	DRAWING	SERIES	MATERIAL NUMBER
			A3-SIZE	78216	SEE TABLE
		CUSTOMER		GENERAL MARKET	
				1 OF 2	

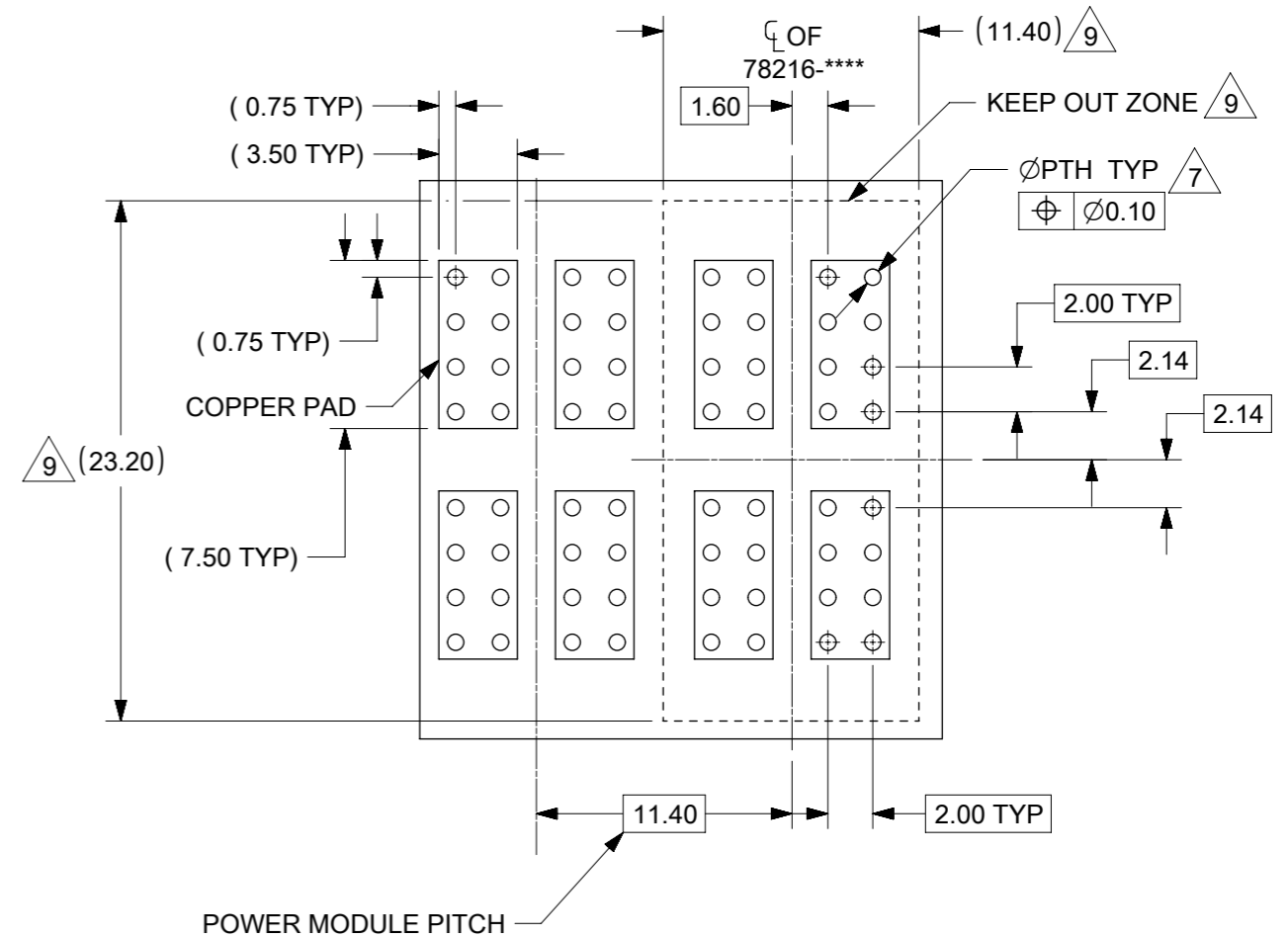
DOCUMENT STATUS	P1	RELEASE DATE	2019/03/13	10:32:42
-----------------	----	--------------	------------	----------



PIN NUMBER ASSIGNMENT BASED ON HEADER SIDE:
 A1, B1 ON THE LEFT,
 A2, B2 ON THE RIGHT.



CIRCUIT PATH OF MATED SYSTEM



RECOMMENDED PCB LAYOUT
 (COMPONENT SIDE SHOWN)
 MINIMUM BOARD THICKNESS: 1.60mm

THIS DRAWING CONTAINS INFORMATION THAT IS PROPRIETARY TO MOLEX ELECTRONIC TECHNOLOGIES, LLC AND SHOULD NOT BE USED WITHOUT WRITTEN PERMISSION											
DIMENSION UNITS		SCALE		CURRENT REV DESC: MIGRATED TO NX						molex	
mm		NTS									
GENERAL TOLERANCES (UNLESS SPECIFIED)										IMPACT POWER, 5 PAIR VERTICAL RECEPTACLE PRESS-FIT	
ANGULAR TOL ± 3.0 °											
4 PLACES		±		EC NO: 612508		2019/02/07		PRODUCT CUSTOMER DRAWING			
3 PLACES		±		DRWN: AAPPARAOTHAK		2019/03/12					
2 PLACES		± 0.25		CHK'D: ABN		2019/03/13		DOCUMENT NUMBER			
1 PLACE		±		APPR: CWANG25		2019/03/13					
0 PLACES		±		INITIAL REVISION:				SD-78216-002			
				DRWN: KJKOH		2008/10/09					
DRAFT WHERE APPLICABLE MUST REMAIN WITHIN DIMENSIONS		THIRD ANGLE PROJECTION		DRAWING		SERIES		MATERIAL NUMBER			
		⊕		A3-SIZE		78216		CUSTOMER			
								GENERAL MARKET			
								SHEET NUMBER			
								2 OF 2			