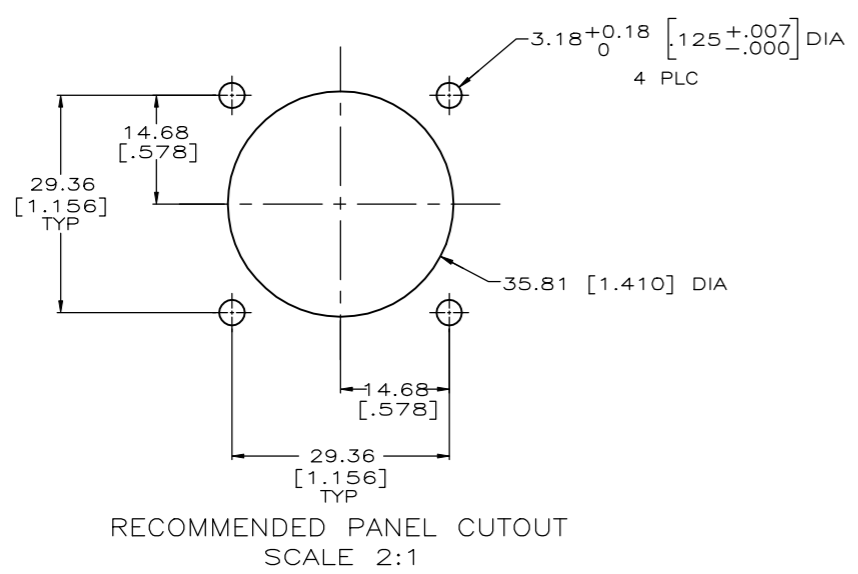
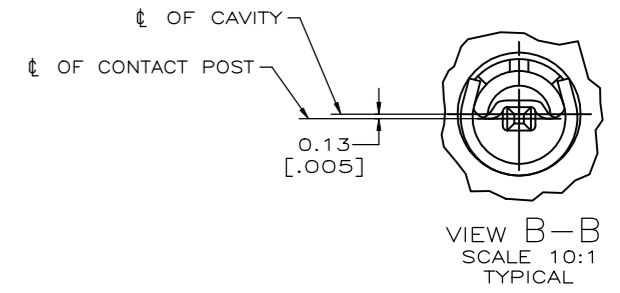
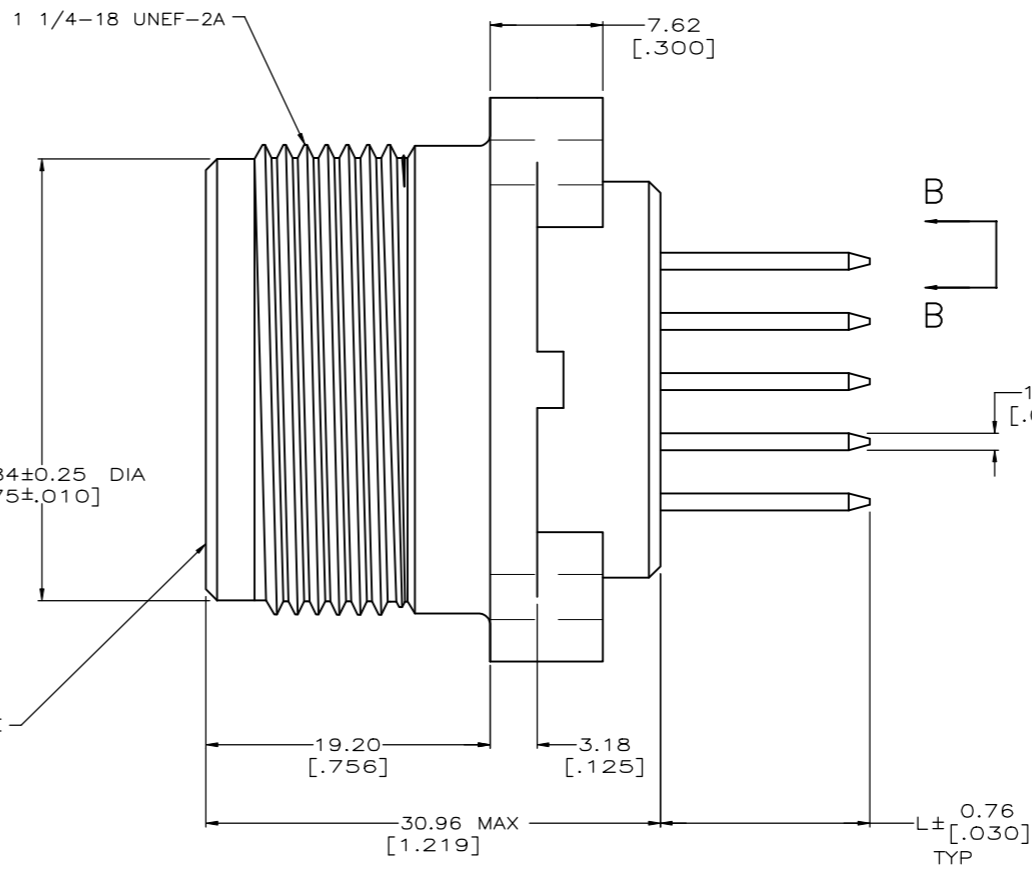
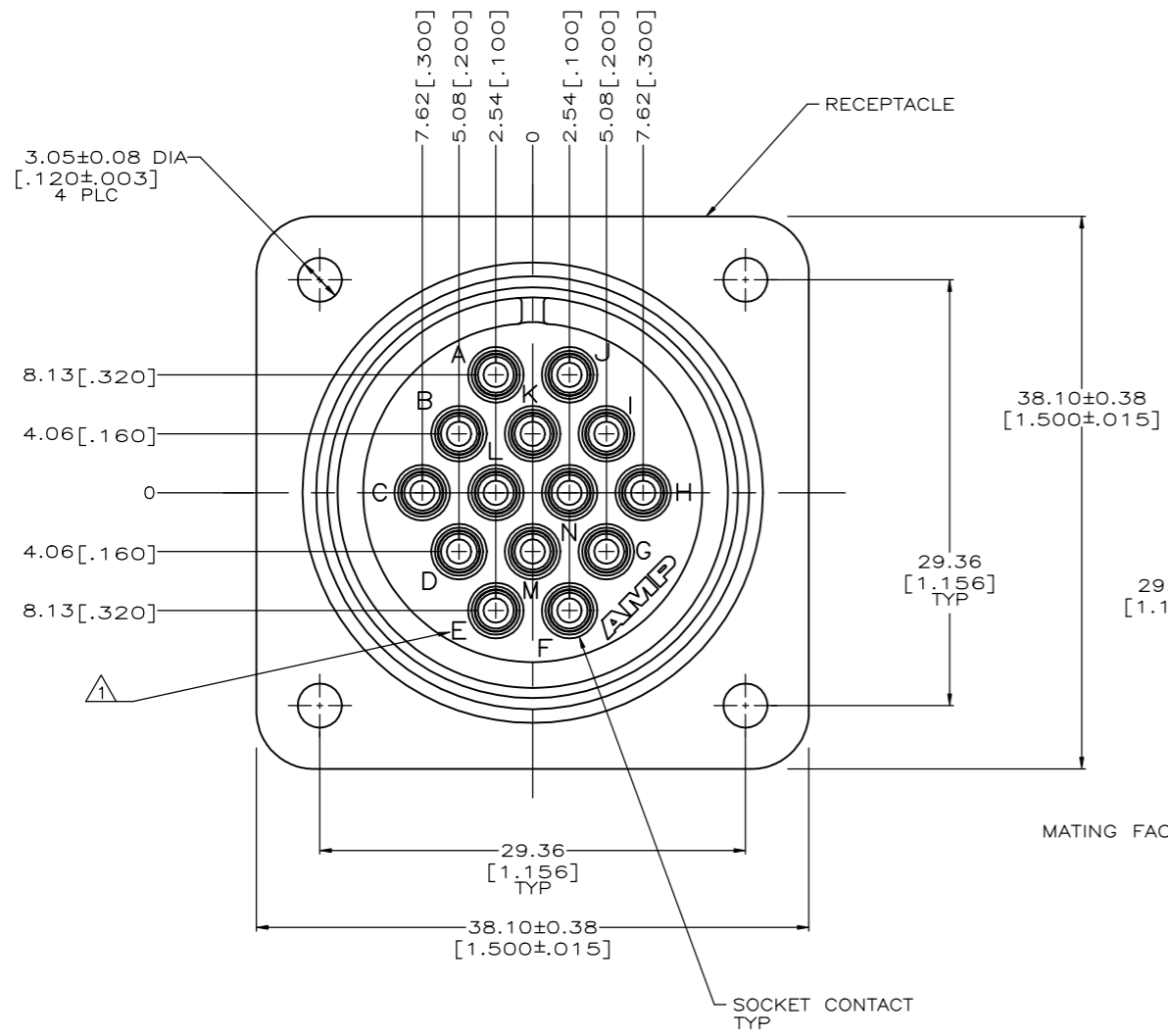


THIS DRAWING IS UNPUBLISHED. RELEASED FOR PUBLICATION. ALL RIGHTS RESERVED.

REVISIONS					
#	LTR	DESCRIPTION	DATE	DMN	APVD
C3		REVISED PER ECO-16-004800	08SEP2016	NK	MZ
D		REVISED PER ECO-17-004657	05APR2017	RS	MZ
E		REVISED PER ECO-18-015685	05OCT2018	RS	MZ



- △ CAVITY IDENTIFICATION CHARACTERS ON FRONT AND REAR FACE.
- △ RECEPTACLE: NYLON, UL 94V-0 RATED, BLACK.
CONTACT AND POST: BRASS.
SPRING: STAINLESS STEEL.
- △ SOCKET CONTACT AND POST: 2.54um [.000100] MIN TIN-LEAD OVER 1.27um [.000050] MIN NICKEL.
- △ SOCKET CONTACT AND POST: 2.54um [.000100] MIN TIN OVER 1.27um [.000050] MIN NICKEL.
- △ OBSOLETE PARTS: OBSOLETE CIS STREAMLINING PER D.RENAUD/D.SINISI
- △ PRELIMINARY PART

DIM L	FINISH	POSITIONS LOADED	PART NUMBER
9.14 [.360]	△ 4	ALL	1-213928-5
OBSOLETE	△ 4	B, C, D, E, F, H, I, J, L, M, N	-1-213928-4
	△ 4	A, B, C, D, E, F, G, H, K	-1-213928-3
OBSOLETE	△ 4	A, B, C, D, E, K	1-213928-2
	△ 4	ALL	1-213928-1
OBSOLETE	△ 4	B, C, D, E, F, H, I, J, L, M, N	-213928-4
	△ 3	A, B, C, D, E, F, G, H, K	-213928-3
OBSOLETE	△ 3	A, B, C, D, E, K	-213928-2
	△ 3	ALL	-213928-1

THIS DRAWING IS A CONTROLLED DOCUMENT. DMN: C.OBERMAN 31 OCT 95
CHK: R.STONE 1 NOV 95
APPD: R.BRYERS 2 NOV 95

STE TE Connectivity

RECEPTACLE ASSEMBLY, 20-14, REVERSE SEX, CPC

DIMENSIONS: mm [INCHES]	TOLERANCES UNLESS OTHERWISE SPECIFIED:	SIZE: A1	CAGE CODE: 00779	DRAWING NO: 213928	RESTRICTED TO: -
0 PLC ± -	1 PLC ± -	WEIGHT: -	SCALE: 4:1	SHEET: 1 OF 1	REV: E
2 PLC ± 0.13 [.005]	3 PLC ± -	CUSTOMER DRAWING			
4 PLC ± -	ANGLES ± -				