

# SPECIFICATIONS

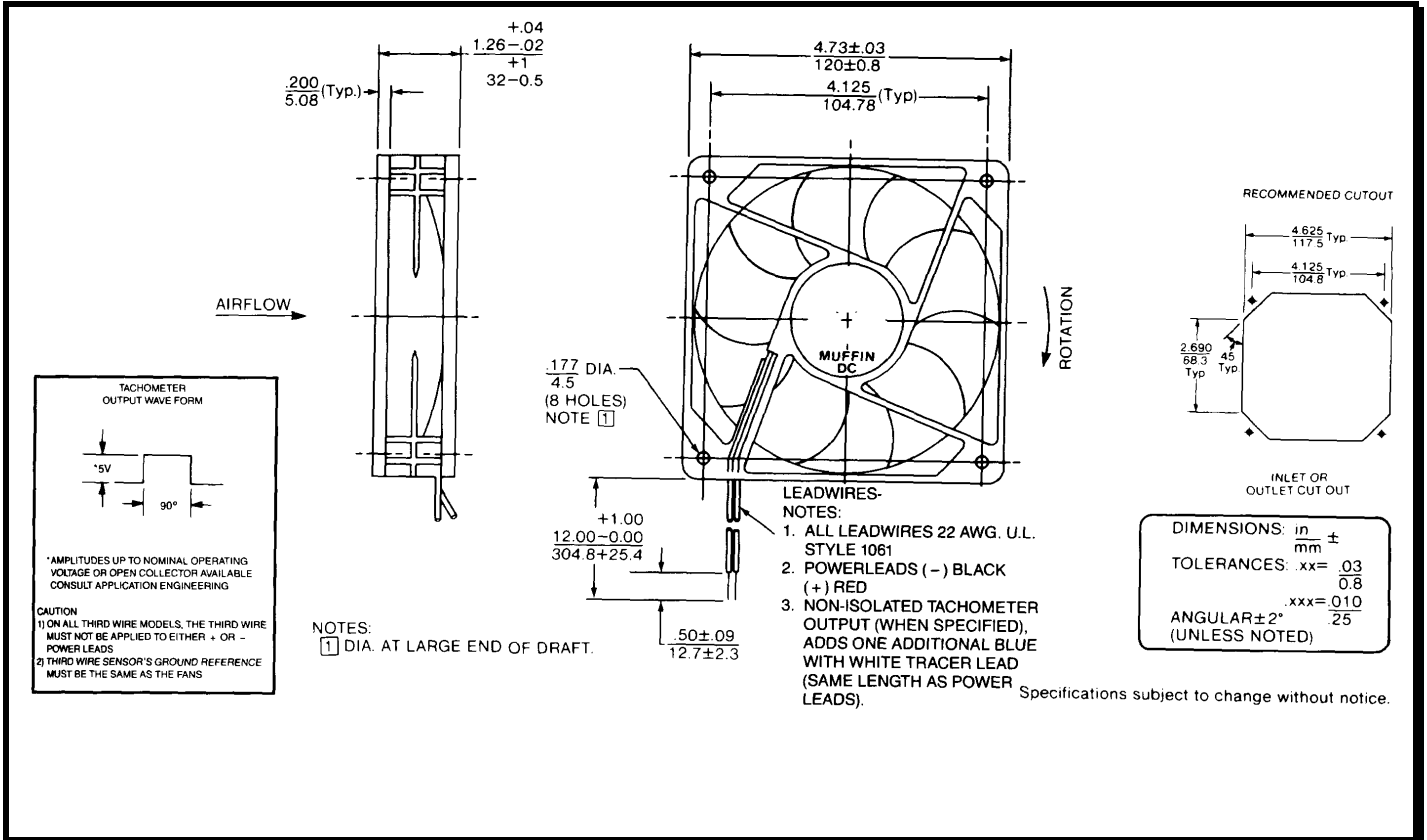


**Model Number:** MC24B7X-E2

**Part Number:** 19041170A

November 23, 2011

## Mechanical Drawing:



### Motor:

Nominal Voltage	= 24 vdc
Operating Voltage Range	= 12 - 28 vdc
Nominal Running Current	= 0.23 amps
Locked Rotor Current	= 0.83 amps
Running Power	= 5.5 watts
Average Speed	= 3700
Bearings	= Ball
Max Air Flow	= 102 CFM
Acoustic	= 47.8 dBA

### Construction:

Venturi: Lexan 500, Black, UL94V-0  
Propeller: Polypropylene, Black, UL94V-0

### Life Expectancy:

This fan is designed for continuous duty life of 75,000 hours at 40°C

### Agency Approvals:

UL

### Additional Features:

Brushless DC Motor  
Polarity Protected.  
Locked Rotor Protection.  
Automatic Restart  
6-32 inserts on 8 mounting holes  
Enviroshield Type 2

### Termination:

12" Lead Wires, 22 AWG, UL1061  
Red - Power  
Black - Return  
Blue/White - Tachometer

### Tachometer Output:

Output: 5 volt TTL Compatible  
I<sub>c</sub>: 5mA Typical  
Pulse per Revolution: 2  
Isolated: No