

APPROVED: \_\_\_\_\_  
 DATE: \_\_\_\_\_ TITLE: \_\_\_\_\_

Rev	AWO #	Description	Date	Appr
-		RELEASED	11/1/22	
A		UPDATED SPEC.	11/30/22	JJ/RC

D

D

C

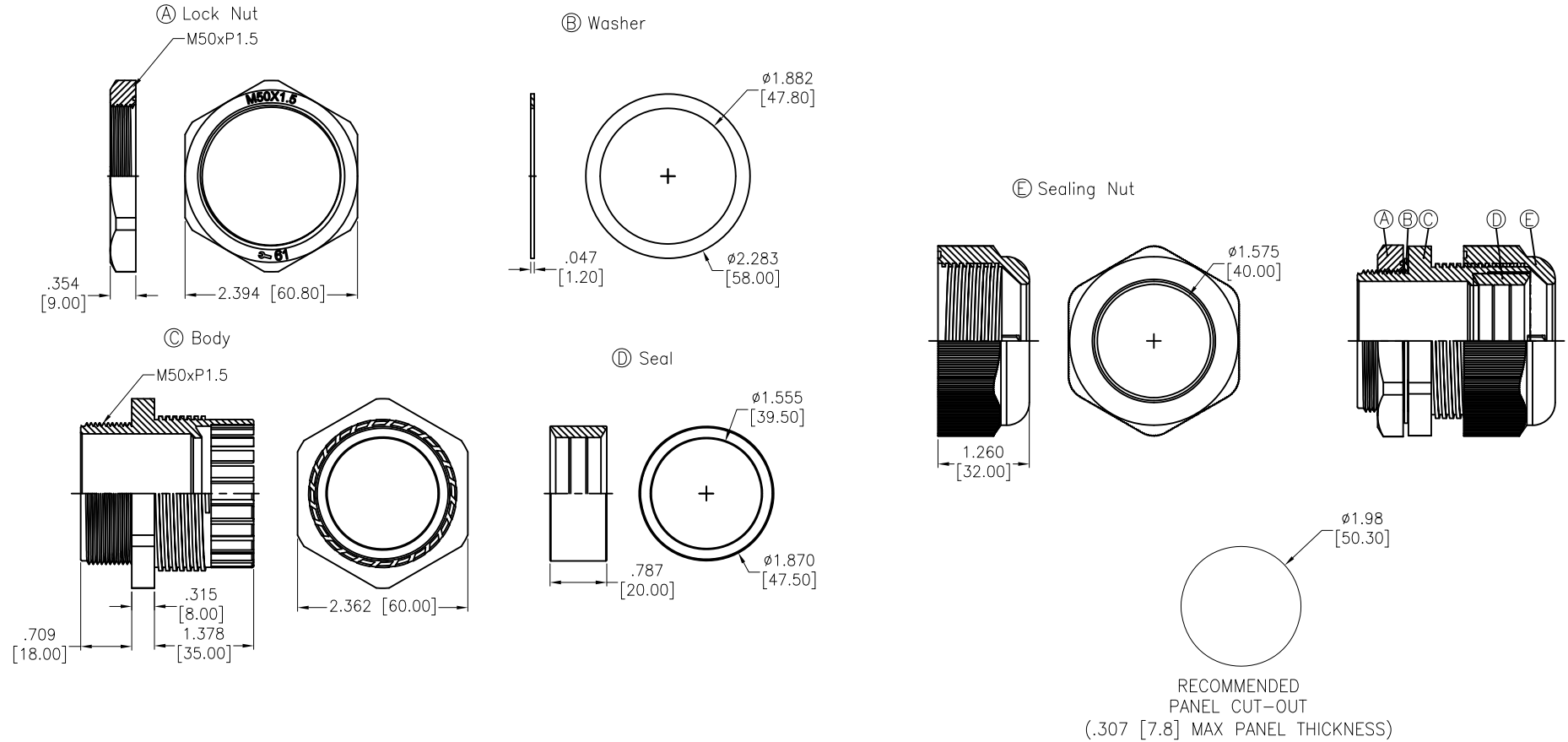
C

B

B

A

A



**SPECIFICATIONS:**

Material:  
 Lock Nut: PA66, rated UL 94V-2  
 Body: PA66, rated UL 94V-2  
 Sealing Nut: PA66, rated UL 94V-2  
 Washer: NBR  
 Seal: NBR  
 Mechanical:  
 Cable Range (O.D.): 30-38mm  
 Thread O.D. L2: 50mm  
 Thread Length L2: 18mm  
 Spanner Size A&E: 61/60mm  
 Nut Torque: 4Nm Max.  
 Environmental:  
 Waterproof: IP68  
 Lead free, RoHS compliant.



UNLESS OTHERWISE SPECIFIED ALL DIMENSIONS ARE INCHES [MM]. TOLERANCES: EXCEPT AS NOTED		
INCHES	HOLES	
.X ± .10	$\phi$ X ± .10	
.XX ± .020	$\phi$ XX ± .015	
.XXX ± .015	$\phi$ XXX ± .010	
DRAWN	WX	11/1/22
CHECKED	RC	11/1/22
APPROVED		
THIS DRAWING CONTAINS INFORMATION THAT IS PROPRIETARY AND SHOULD NOT BE USED WITHOUT PRIOR WRITTEN PERMISSION FROM ADAM TECH		

**ADAM TECH** 909 Rahway Avenue,  
 Union, NJ 07083  
 Phone: 908-687-5000  
 Fax: 908-687-5710

TITLE		REV.
WATERPROOF CONNECTOR, M50, 1 HOLE, CABLE GLAND, WATERPROOF: IP68		
SIZE	PART NO.	REV.
X	CG-P-M50-1.5	
REF:	S00211C	SCALE: NTS
SHEET		1 OF 1

6

5

4

3

2

1