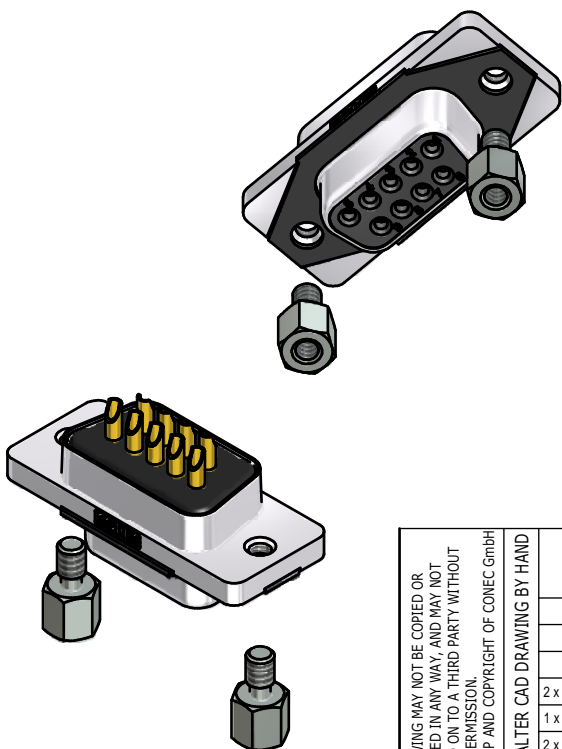
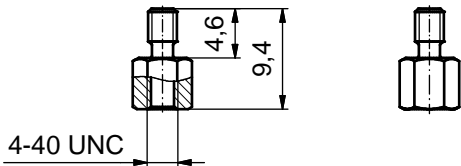
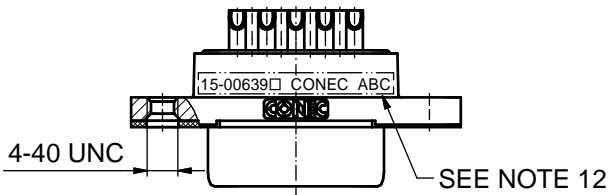
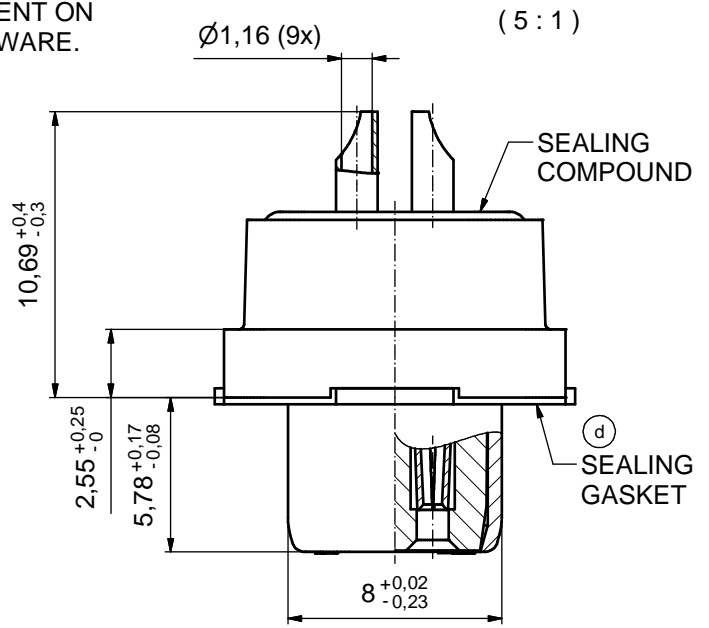
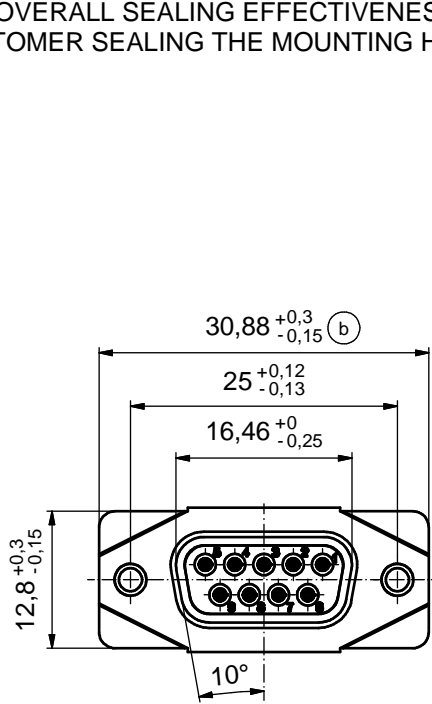


CUSTOMER IS RESPONSIBLE FOR SEALING THE MOUNTING HOLES.  
 THE OTHER PARTS OF THE CONNECTOR ARE CONSIDERED IP67,  
 BUT THE OVERALL SEALING EFFECTIVENESS IS DEPENDENT ON  
 THE CUSTOMER SEALING THE MOUNTING HOLES / HARDWARE.



RoHS compliant

(d) NOTES:

1. RECOMMENDED SOLDER INSTRUCTION SEE SHEET 2
2. IP RATING: IP 67
3. SEALED TO WITHSTAND PRESSURE UP TO 1,45 PSI FOR 30 MINUTES AFTER SOLDERING
4. METAL SHELL: ZINC DIE CAST; min. 50µm NICKEL PLATING over COPPER
5. INSULATORS: PBT GF UL 94 V-0
6. SEALING GASKET: SILICONE
7. SEALING COMPOUND: EPOXY
8. CONTACTS: COPPER ALLOY; PLATING (SEE PART-NO.):  
 PLEASE ADD 1 for 30µm HARD GOLD over min. 50µm NICKEL  
 PLEASE ADD 3 for GOLD FLASH over NICKEL  
 SOLDER CUP ACCEPTS CABLE AWG 20
9. HEXLOCKING SCREWS: STAINLESS STEEL
10. RECOMMENDED PANEL CUT-OUT ON SHEET 2
11. RECOMMENDED TORQUE FOR MOUNTING SCREW  
 35Ncm (3.1 in.LB) / max. 67Ncm (6 in.LB)
12. CONNECTOR IS PART MARKED: 15-00639 CONEC ABC (see note 8)

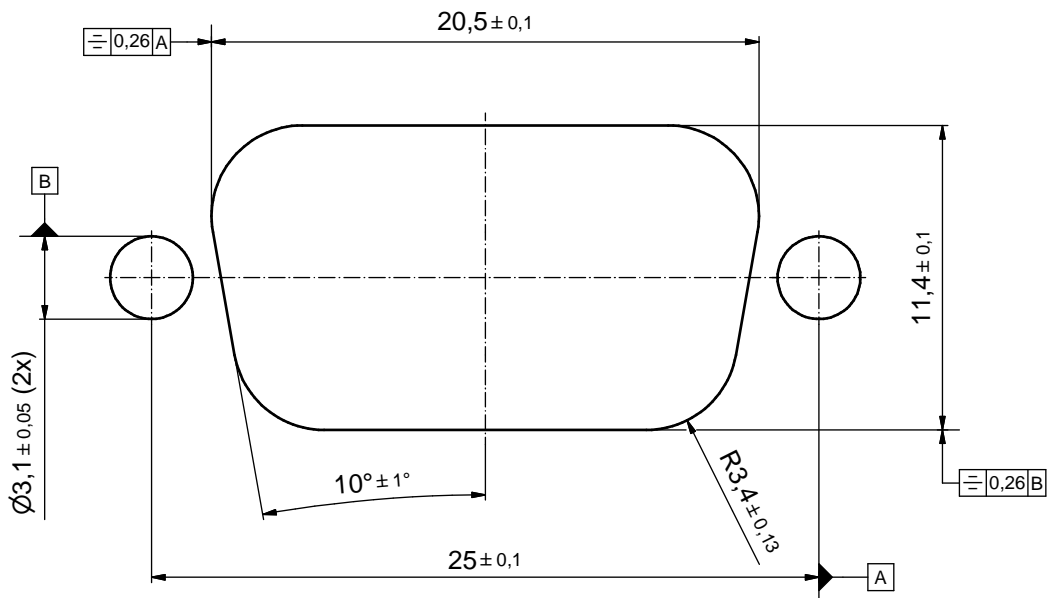
|   |  |             |  |           |  |               |                     |  |  |
|---|--|-------------|--|-----------|--|---------------|---------------------|--|--|
| THIS DRAWING MAY NOT BE COPIED OR REPRODUCED IN ANY WAY, AND MAY NOT BE PASSED ON TO A THIRD PARTY WITHOUT WRITTEN PERMISSION. OWNERSHIP AND COPYRIGHT OF CONEC GmbH DO NOT ALTER CAD DRAWING BY HAND |  |             |  | tolerance |  | dim. in mm    | scale: 2:1 (5:1)    |  |  |
|   |  |             |  | date      |  |               | material: SEE NOTES |  |  |
|   |  | drawn       |  | 30.09.14  |  | Lehmenkühler  |                     | title:<br><b>D-SUB FEMALE</b><br>9pos. SOLDER CUP<br>with open 4-40 UNC thread |  |
|   |  | appd.       |  | 26.01.15  |  | Fischer       |                     |  |  |
| 2 x d   |  | Ä6417       |  | 17.05.17  |  | Lehm, norm    |                     |  |  |
| 1 x c   |  | Ä8527       |  | 25.09.15  |  | Unkrüer d-old |                     | dwg no:  |  |
| 2 x b   |  | Ä5800       |  | 04.09.15  |  | M.H.          |                     | 15K1A1542  |  |
| a   |  | Original    |  |           |  |               |                     | DIN-A3<br>sh: 1  |  |
| rev.  |  | description |  | date      |  | name          |                     | part no: 15-00639 (see note 8)   |  |



## Solder Instruction

1. Cable should be prepared for soldering. The cable/wires must be pretinned.
2. Insert cable/wire into solder cup.
3. Operate the soldering iron at 350°C, 50 Watt max. and use a pencil tip.
4. Apply some solder to the solder tip of the soldering iron.
5. Put tip to wire in solder cup.
6. After 1 second bring in solder.
7. Heat for 3 seconds longer. Do not heat contact more than 4 seconds in total.
8. Remove soldering iron.
9. Wait until solder gets rigid again.
10. Do not solder adjacent contacts consecutively, alternate position within the connector to minimize heat build up.

## RECOMMENDED PANEL CUT-OUT



|  |          |             |         |  |          |                       |
|--|----------|-------------|---------|--|----------|-----------------------|
| THIS DRAWING MAY NOT BE COPIED OR REPRODUCED IN ANY WAY, AND MAY NOT BE PASSED ON TO A THIRD PARTY WITHOUT WRITTEN PERMISSION. OWNERSHIP AND COPYRIGHT OF CONEC GmbH<br>DO NOT ALTER CAD DRAWING BY HAND |          |             |         | tolerance  |          | scale: 5:1            |
|  |          |             |         | date   | name     | material: SEE SHEET 1 |
|  |          |             |         | drawn  | 30.09.14 | Lehmenkühler          |
|  |          |             |         | appd.  | 26.01.15 | Fischer               |
|  |          |             |         | norm   |          |                       |
|  |          |             | d-old   |  |          |                       |
| 1 x c  | Ä8527    | 25.09.15    | Unkrüer | <b>RECOMMENDED PANEL CUT-OUT</b><br>D-SUB FEMALE 9pos. SOLDER CUP<br>with open 4-40 UNC thread |          |                       |
| a  | Original |             |         |  |          |                       |
| dwg no:  |          | 15K1A1542   |         | DIN-A3   |          |                       |
| part no:   |          | SEE SHEET 1 |         | sh: 2  |          |                       |