



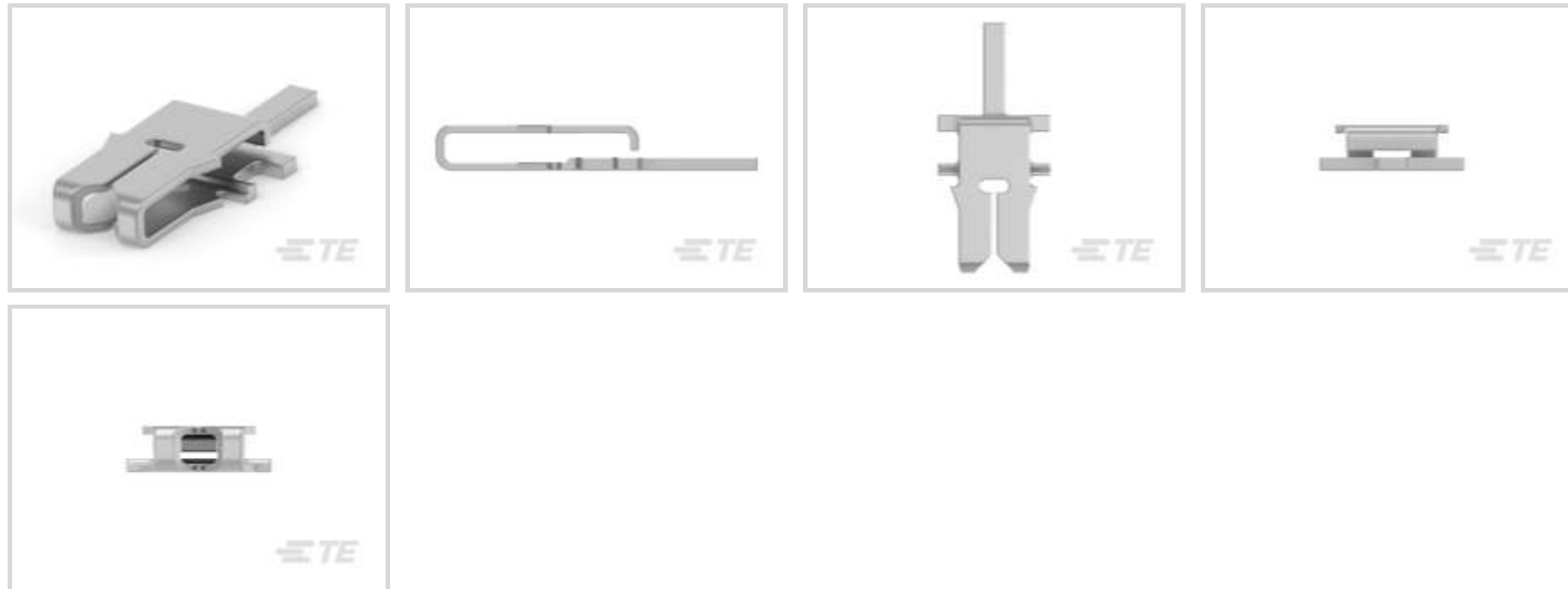
MAG-MATE

TE Internal #: 1217302-1

Magnet Wire Terminals, Solder Post, Mating Tab Width .042 in [1.07 mm], Size 2, .18 – .27 mm Magnet Wire, 33 – 31 AWG Magnet Wire, MAG-MATE

[View on TE.com >](#)

Terminals & Splices > Magnet Wire Terminals



Magnet Wire Terminal Type: **Solder Post**

Mating Tab Width: **1.07 mm [.042 in]**

Mating Tab Thickness: **.5 mm [.02 in]**

Compatible With Cavity Size: **Size 2**

Magnet Wire Size: **33 – 31 AWG**

Features

Product Type Features

Compatible With Discrete Wire Type	Magnet Wire, Solid
------------------------------------	--------------------

Body Features

Compatible With Cavity Size	Size 2
-----------------------------	--------

Contact Features

Magnet Wire Terminal Type	Solder Post
Mating Tab Width	1.07 mm [.042 in]
Mating Tab Thickness	.5 mm [.02 in]
Terminal Plating Material	Tin
Contact Underplating Material	Nickel
Terminal Orientation	Straight

Termination Features

Termination Method to Wire & Cable	Insulation Displacement (IDC)
------------------------------------	-------------------------------

Dimensions

--	--



Terminal Height	7.62 mm[.3 in]
Magnet Wire Size	.18 – .27 mm
Stock Thickness (Magnet Wire Side)	.3 mm[.012 in]
Product Length	12.07 mm[.475 in]

Usage Conditions

Insulation Option	Uninsulated
Operating Temperature Range	-65 – 150 °C[-85 – 302 °F]

Operation/Application

Compatible With Wire Base Material	Copper
------------------------------------	--------

Packaging Features

Packaging Quantity	11000
Packaging Method	Reel, Reel/Carton

Other

Terminals & Splices Comment	PC Board hole size 1.27 [.050]., Shallow Box, Two magnet wires may be terminated in the same terminal slot if diameters are equal.
-----------------------------	--

Product Compliance

[For compliance documentation, visit the product page on TE.com>](#)

EU RoHS Directive 2011/65/EU	Compliant
EU ELV Directive 2000/53/EC	Compliant
China RoHS 2 Directive MIIT Order No 32, 2016	No Restricted Materials Above Threshold
EU REACH Regulation (EC) No. 1907/2006	Current ECHA Candidate List: JUNE 2023 (235) Candidate List Declared Against: JAN 2022 (223) Does not contain REACH SVHC
Halogen Content	Low Halogen - Br, Cl, F, I < 900 ppm per homogenous material. Also BFR/CFR/PVC Free
Solder Process Capability	Pin-in-Paste capable to 260°C

Product Compliance Disclaimer

This information is provided based on reasonable inquiry of our suppliers and represents our current actual knowledge based on the information they provided. This information is subject to change. The part numbers that TE has identified as EU RoHS compliant have a maximum concentration of 0.1% by weight in homogenous materials for lead, hexavalent chromium, mercury, PBB, PBDE, DBP, BBP, DEHP, DIBP, and 0.01% for cadmium, or qualify for an exemption to these

limits as defined in the Annexes of Directive 2011/65/EU (RoHS2). Finished electrical and electronic equipment products will be CE marked as required by Directive 2011/65/EU. Components may not be CE marked. Additionally, the part numbers that TE has identified as EU ELV compliant have a maximum concentration of 0.1% by weight in homogenous materials for lead, hexavalent chromium, and mercury, and 0.01% for cadmium, or qualify for an exemption to these limits as defined in the Annexes of Directive 2000/53/EC (ELV). Regarding the REACH Regulation, the information TE provides on SVHC in articles for this part number is based on the latest European Chemicals Agency (ECHA) 'Guidance on requirements for substances in articles' posted at this URL: <https://echa.europa.eu/guidance-documents/guidance-on-reach>

Compatible Parts



TE Part # 62512-1
MAG-MATE 30-27 187 F TAB TPBR



TE Part # 62439-1
MAG-MATE POST 22-24 013 TPBR



TE Part # 62874-1
MAG-MATE POST 27-30 013 TPBR



TE Part # 62430-1
MAG-MATE POST 28-30 013 TPBR



TE Part # 62438-1
MAG-MATE POST 25-27 013 TPBR



TE Part # 63661-1
MAG-MATE POST 19-17 016TPCUBR



TE Part # 62958-2
MAG-MATE POST 29-26 0126 TPBR



TE Part # 63235-1
MAG-MATE F CRMP 31-33 0126TPBR




TE Part # 63255-1
MAG-MATE 187FAST TAB 0198TPBR



TE Part # 63531-1
MAG-MATE F CRMP 31-33 0126TPBR

Also in the Series | MAG-MATE



Insertion & Extraction Tools(7)

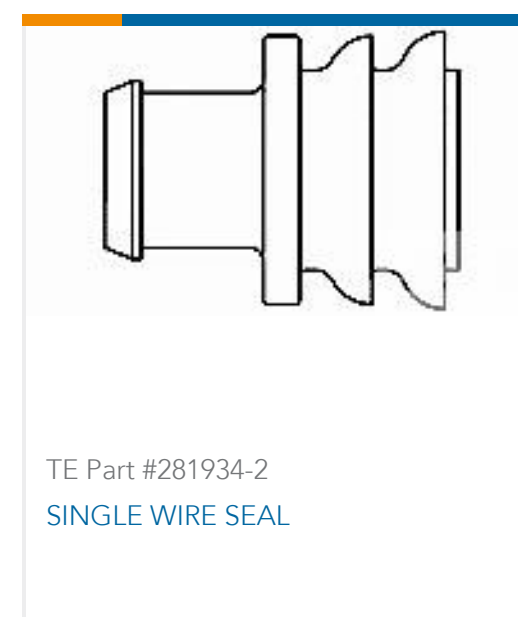


Magnet Wire Terminals(435)



PCB Terminals(1)

Customers Also Bought



Documents

Product Drawings

SOLDER TAB .041 MAG-MATE

English

CAD Files

3D PDF

3D

Customer View Model

[ENG_CVM_CVM_1217302-1_D.2d_dxf.zip](#)

English

Customer View Model

[ENG_CVM_CVM_1217302-1_D.3d_igs.zip](#)

English

Customer View Model

[ENG_CVM_CVM_1217302-1_D.3d_stp.zip](#)

English

By downloading the CAD file I accept and agree to the [Terms and Conditions](#) of use.

Datasheets & Catalog Pages

Magnet Wire Terminals & Splices

English

Product Specifications

Application Specification

English

Product Environmental Compliance

Product Compliance

1217302-1

Magnet Wire Terminals, Solder Post, Mating Tab Width .042 in [1.07 mm], Size 2, .18 – .27 mm Magnet Wire, 33 – 31 AWG Magnet Wire, MAG-MATE



English

[Product Compliance](#)

English