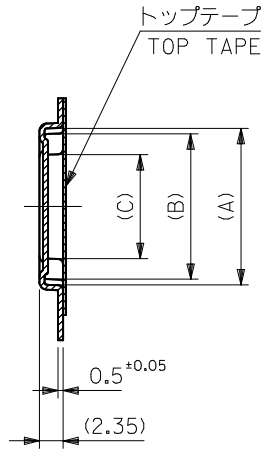
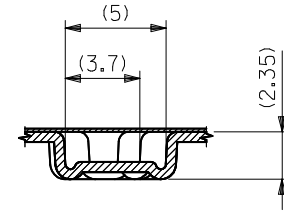
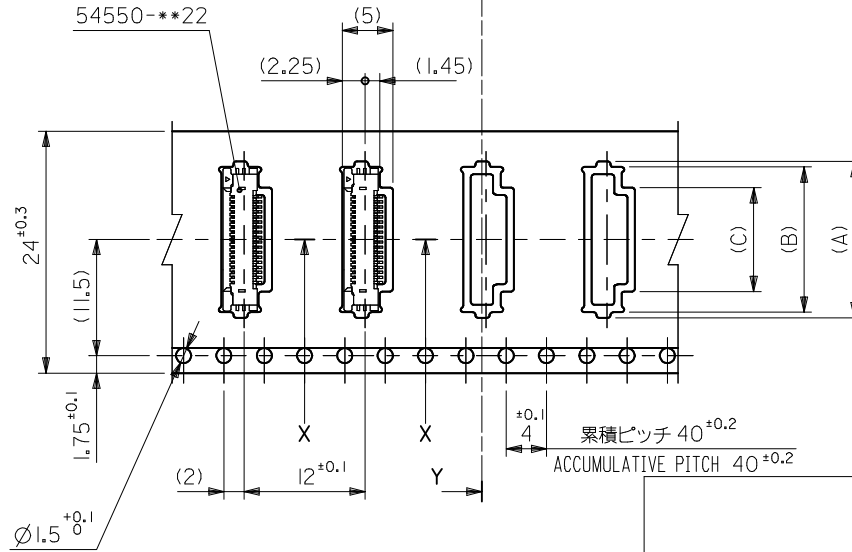


引き出し方向  
PULL OUT DIRECTION



SECT. Y-Y



SECT. X-X

24mm幅キャリアテープ  
24mm WIDTH CARRIER TAPE

24	29.4	25.4	12.3	16.4	17.5	54550-2233	22
			11.8	15.9	17	54550-2133	21
			11.3	15.4	16.5	54550-2033	20
			10.8	14.9	16	54550-1933	19
			10.3	14.4	15.5	54550-1833	18
			9.8	13.9	15	54550-1733	17
			9.3	13.4	14.5	54550-1633	16
			8.8	12.9	14	54550-1533	15
			8.3	12.4	13.5	54550-1433	14
			7.8	11.9	13	54550-1333	13
			7.3	11.4	12.5	54550-1233	12
			6.8	10.9	12	54550-1133	11
			6.3	10.4	11.5	54550-1033	10
			5.8	9.9	11	54550-0933	9
5.3	9.4	10.5	54550-0833	8			
4.8	8.9	10	54550-0733	7			
キャリアテープ幅 CARRIER TAPE WIDTH	E	D	(C)	(B)	(A)	製品番号 MATERIAL No.	極数 Ck†

RELEASED EC NO.: J2013-1014 DRWN: NKONDO 2012/09/13 CHKD: TAKAHASHI 2012/09/13 APPR: KMORIKAWA 2013/03/15	GENERAL TOLERANCES (UNLESS SPECIFIED)		DIMENSION STYLE MM ONLY		SCALE ---	DESIGN UNITS METRIC	THIRD ANGLE PROJECTION
	10 UNDER	±0.2	DRAWN BY NKONDO	DATE 2012/09/13	TITLE EMBOSS TAPE PACKAGED FOR 0.5MM FPC CONN ZIF R/A HOUSING ASSY <b>molex</b> DOCUMENT NO. SD-54550-076 SHEET NO. 3 OF 4		
	10 OVER 30 UNDER	±0.25	CHECKED BY KTAKAHASHI	DATE 2012/09/13			
	30 OVER	±0.3	APPROVED BY KMORIKAWA	DATE 2013/03/15			
ANGULAR ±3 °		MATERIAL NO.	SEE CHART				
DRAFT WHERE APPLICABLE MUST REMAIN WITHIN DIMENSIONS		SIZE A3		THIS DRAWING CONTAINS INFORMATION THAT IS PROPRIETARY TO MOLEX INCORPORATED AND SHOULD NOT BE USED WITHOUT WRITTEN PERMISSION			