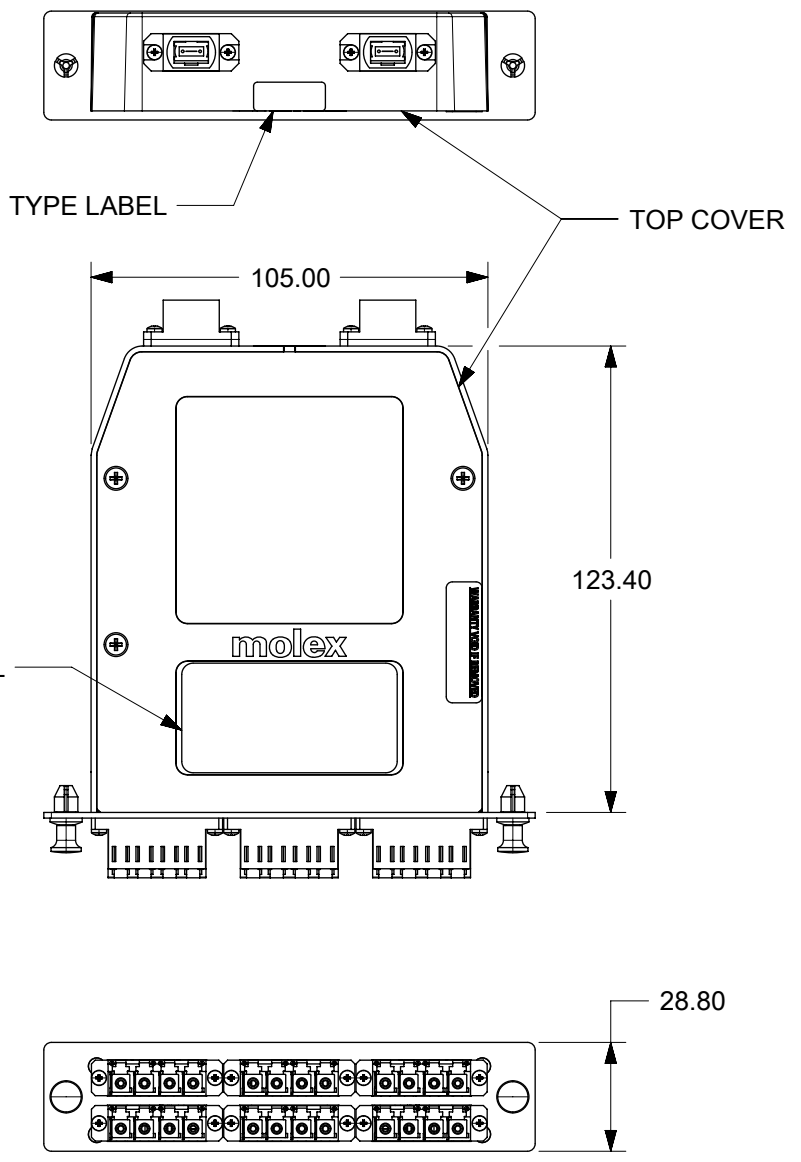
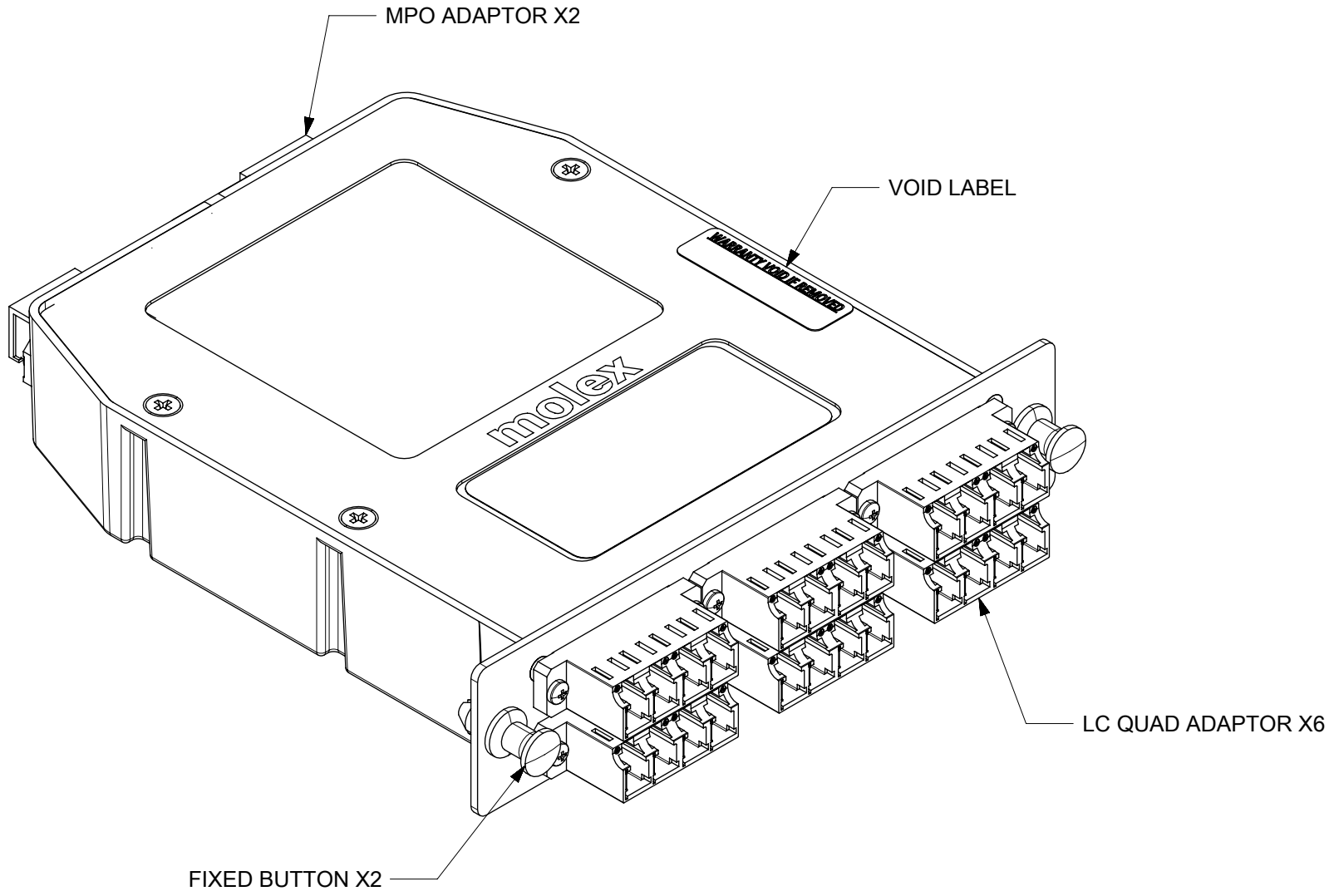


P/N	FIBER TYPE	LC ADAPTOR COLOR	MPO ADAPTOR COLOR	FAN-OUT TYPE	
				MTP CON	LC CON
1064810110	SM-G657A	BLUE	BLACK	MALE/APC	PC
1064810112	MM-OM3	AQUA	BLACK	MALE/PC	PC
1064810114	MM-OM4	AQUA	BLACK	MALE/PC	PC



(THE 2X LCTO 12MPO FANOUT ASSEMBLIES ARE INSTALLED ON INSIDE BUT NOT SHOWN)

- NOTES :
- 1.MATERIAL: PC+ABS.
 - 2.COLOR: BLACK.
 - 3.DIMENSION: 125x105x28.8mm.
 - 4.WEIGHT: 118gm.
 - 5.PRODUCT STRUCTURE:
 - 5-1 ADAPTOR:
 - LC QUAD ADAPTOR, SCFP FLANGE
 - MPO ADAPTOR, STANDARD FP FA G MTP-ADPT-2.
 - 5-2 CABLE ASSY: LC TO 12MPO FANOUT ASSEMBLY.
 - 6.DUST CAPS ARE NOT SHOWN IN DRAWING.
 - 7.ALL MATERIAL MUST COMPLY WITH THE LATEST RoHS DIRECTIVE.

SCALE 1:2

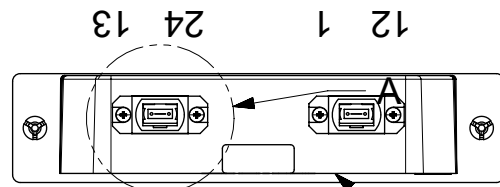
THIS DRAWING CONTAINS INFORMATION THAT IS PROPRIETARY TO MOLEX ELECTRONIC TECHNOLOGIES, LLC AND SHOULD NOT BE USED WITHOUT WRITTEN PERMISSION									
FUNCTIONAL SYMBOLS	DIMENSION UNITS	SCALE	CURRENT REV DESC:						
	mm	1:1							
GENERAL TOLERANCES (UNLESS SPECIFIED)	EC NO: 639952								
	ANGULAR TOL	±	DRWN: IGUMIN 2020/06/18						
DIVISIONAL SYMBOLS	4 PLACES	±	CHK'D: TWANG74 2020/06/20						
	3 PLACES	±	APPR: TWANG74 2020/06/20						
	2 PLACES	±	INITIAL REVISION:						
	1 PLACE	±	DRWN: IGUMIN 2018/06/29						
0 PLACES	±	APPR: IGUMIN 2018/07/02							
DRAFT WHERE APPLICABLE MUST REMAIN WITHIN DIMENSIONS		THIRD ANGLE PROJECTION	DRAWING	SERIES	MATERIAL NUMBER	CUSTOMER	SHEET NUMBER		
			B-SIZE	106481	SEE TABLE		1 OF 2		



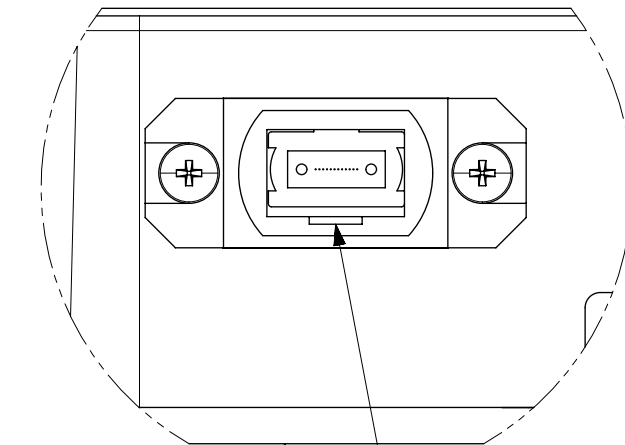
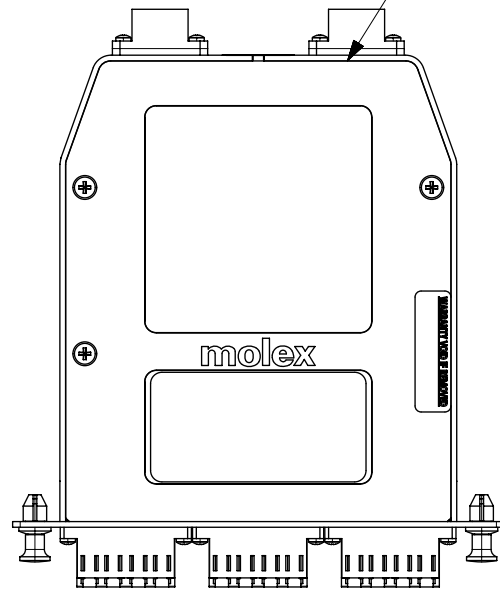
PLA LGX CST G657A1 2(1X12) MTP(ME)-LC

PRODUCT CUSTOMER DRAWING

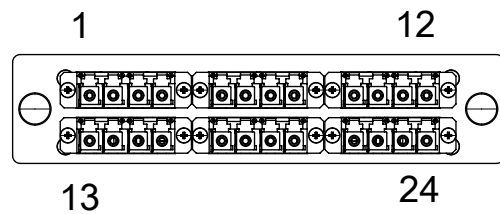
DOCUMENT NUMBER 1064810110 DOC TYPE PSD DOC PART 001 REVISION B



TOP COVER SIDE



TOP COVER THIS SIDE
MPO ADAPTOR KEY UP POSITION
DETAIL A SCALE 2:1



1. PRODUCT OPTICAL SPECIFICATION

Item	Parameters	Note	Min.	Typ.	Max.	Unit
1	Operating Wavelength ¹	Single-Mode	1310 / 1550			nm
		Multi-Mode	850			nm
2	Insertion Loss ^{1,2}	Single-Mode			0.65	dB
		Multi-Mode			0.65	
3	Return Loss ^{1,2} (MPO side)	Single-Mode	55			dB
		Multi-Mode	N/A			
4	Return Loss ^{1,2} (Fan-out side)	Single-Mode	PC	55		dB
			APC	60		
		Multi-Mode	PC	N/A		
5	Operating Temperature	---	-20		70	°C

Note:

- Single-mode loss test to be performed at 1310nm and 1550nm. Multimode loss test to be performed at 850nm. IL and RL must be tested at room temperature. (Multimode RL testing is not required.)
- Consistent optical performance for multimode (flat protruded polish) and single-mode (Angled protruded polish).

2. PRODUCT CHANNEL IDENTIFICATION TABLE

BACK #1 MPO (1-12)	TOP ROW PANEL	BACK MPO (1-12) PORT	P1	P2	P3	P4	P5	P6	P7	P8	P9	P10	P11	P12
		FRONT LC PORT	P1	P2	P3	P4	P5	P6	P7	P8	P9	P10	P11	P12
		FIBER COLOR	BL	OR	GR	BR	SL	WH	RD	BK	YL	VI	RS	AQ
BACK #2 MPO (1-12)	BOTTOM ROW PANEL	BACK MPO (1-12) PORT	P1	P2	P3	P4	P5	P6	P7	P8	P9	P10	P11	P12
		FRONT LC PORT	P13	P14	P15	P16	P17	P18	P19	P20	P21	P22	P23	P24
		FIBER COLOR	BL	OR	GR	BR	SL	WH	RD	BK	YL	VI	RS	AQ

FUNCTIONAL SYMBOLS	THIS DRAWING CONTAINS INFORMATION THAT IS PROPRIETARY TO MOLEX ELECTRONIC TECHNOLOGIES, LLC AND SHOULD NOT BE USED WITHOUT WRITTEN PERMISSION		CURRENT REV DESC:		molex									
	DIMENSION UNITS	SCALE												
$\nabla_A = 0$	mm	1:2	EC NO: 639952 DRWN: IGUMIN CHK'D: TWANG74 APPR: TWANG74 INITIAL REVISION: DRWN: IGUMIN APPR: IGUMIN		2020/06/18 2020/06/20 2020/06/20 2018/06/29 2018/07/02			PLA LGX CST G657A1 2(1X12) MTP(ME)-LC						
$\nabla_B = 0$	GENERAL TOLERANCES (UNLESS SPECIFIED)													
$\nabla_C = 0$	ANGULAR TOL ± °													
DIVISIONAL SYMBOLS	4 PLACES	±	THIRD ANGLE PROJECTION		DRAWING		SERIES		MATERIAL NUMBER		CUSTOMER		SHEET NUMBER	
	3 PLACES	±												
	2 PLACES	±												
	1 PLACE	±												
0 PLACES	±		B-SIZE		106481		SEE TABLE				2 OF 2			