

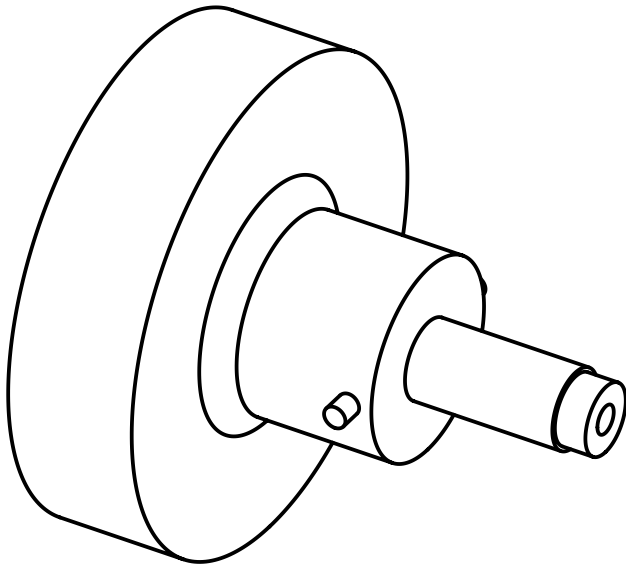
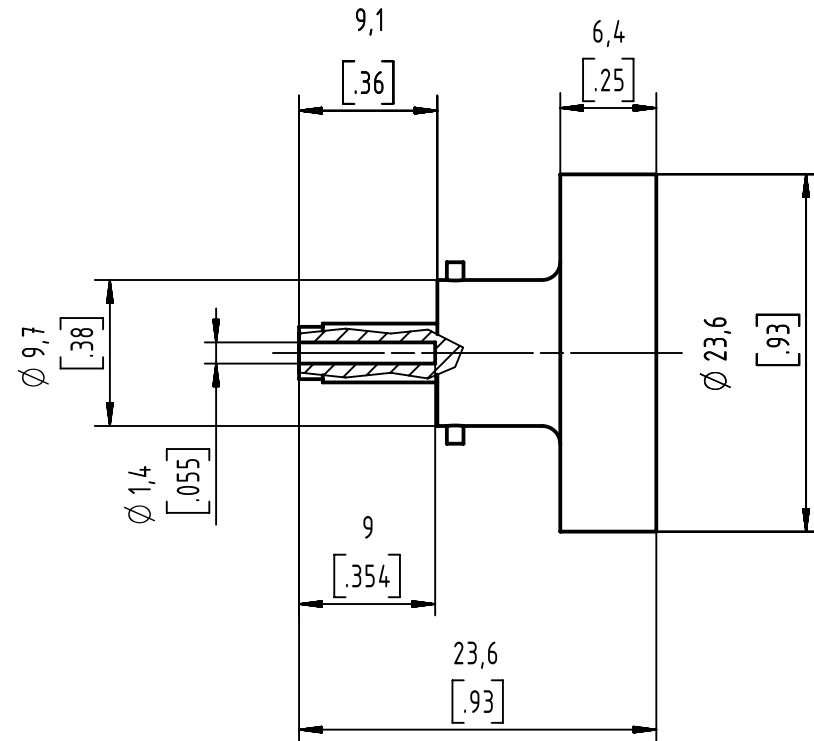
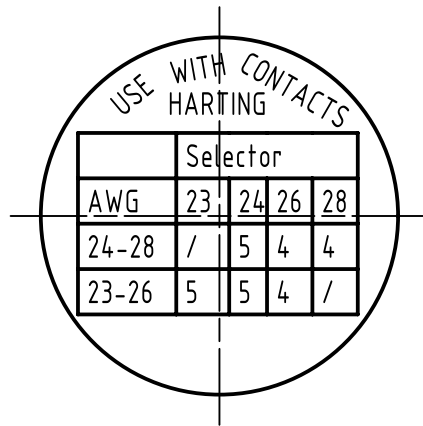
1 2 3 4 5 6

A

B

C

D



Positionierhülse für Handcrimpzange 09 99 000 0501
Positioner for hand crimp tool 09 99 000 0501

	All rights reserved Department EC PD - DE	All Dimensions in mm Original Size DIN A4			Scale 1:1	Free size tol.	Ref. Sub. Rev. A Date 2014-09-09	
		Created by WAERMKER	Inspected by GENAU	Standardisation HOFFMANN	Date 2015-08-31	State Final Release	Title M12 harspeed locator female	
HARTING Electronics GmbH D-32339 Espelkamp		Type TB	Number 09990000635			Rev. B	Page 1/1	