

#16-12 STOOV CORD
COLOR: YELLOW

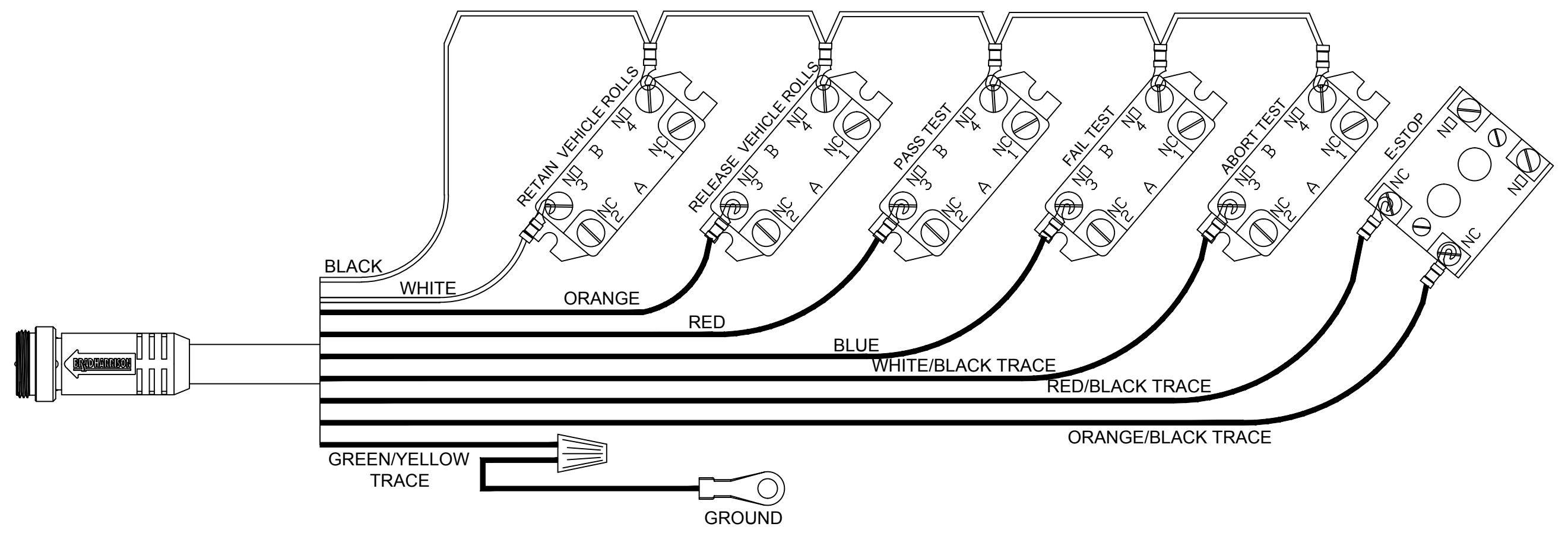
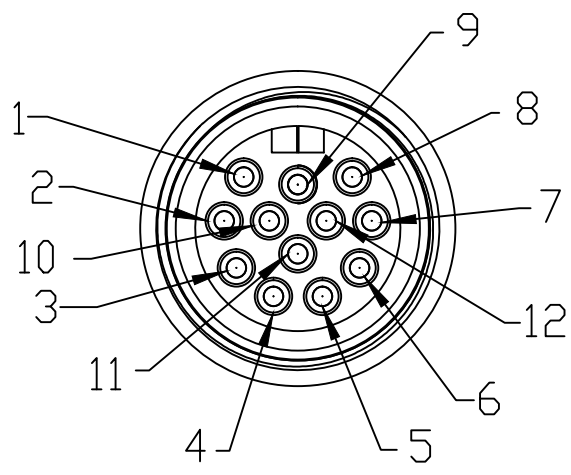
PUSHBUTTON STATION
NEoTEX® PARACRIL OZO RUBBER
COLOR: YELLOW
PART NO: 4024ES

1 1/8-16 UN-2A
EXTERNAL THREADS

RETAIN VEHICLE ROLLS
RELEASE VEHICLE ROLLS
PASS TEST
FAIL TEST
ABORT TEST
E-STOP

- 1 ORANGE (I00500)
- 2 BLUE (I00504)
- 3 WHITE/BLACK TRACE (I00505)
- 4 RED/BLACK TRACE (5081)
- 5 GREEN/BLACK TRACE
- 6 ORANGE/BLACK TRACE (5082)
- 7 BLUE/BLACK TRACE
- 8 BLACK/WHITE TRACE
- 9 GREEN/YELLOW TRACE(GROUND)
- 10 RED (I00503)
- 11 WHITE (I00501)
- 12 BLACK (5501)

MINI-CHANGE
12- POLE MALE PLUG
PART# 302006A01F030



WIRING DIAGRAM

RELEASE SALES DRAWING EC NO: IPG2014-0578 DRWN: HRUIZ01 2013/09/24 CHKD: HKNEELAN APPR: JFMURPHY 2013/11/04	QUALITY SYMBOL	GENERAL TOLERANCES (UNLESS SPECIFIED)	DIMENSION STYLE	SCALE	DESIGN UNITS	THIRD ANGLE PROJECTION
	▽=0 ◁=0	mm INCH	INCH	NTS	INCH	
		4 PLACES ±--- ±---	DRAWN BY DATE	TITLE		
		3 PLACES ±--- ±.005	CHECKED BY DATE	4024ES PENDANT STATION 12 POLE MINI CHANGE		
		2 PLACES ±--- ±.010	APPROVED BY DATE	MOLEX INCORPORATED		
	1 PLACE ±--- ±.020	JFMURPHY 2013/11/04	MATERIAL NO.	DOCUMENT NO.	SHEET NO.	
		ANGULAR ±1/2°	130126-0348	SD-130126-064	1 OF 1	
		DRAFT WHERE APPLICABLE MUST REMAIN WITHIN DIMENSIONS	THIS DRAWING CONTAINS INFORMATION THAT IS PROPRIETARY TO MOLEX INCORPORATED AND SHOULD NOT BE USED WITHOUT WRITTEN PERMISSION			