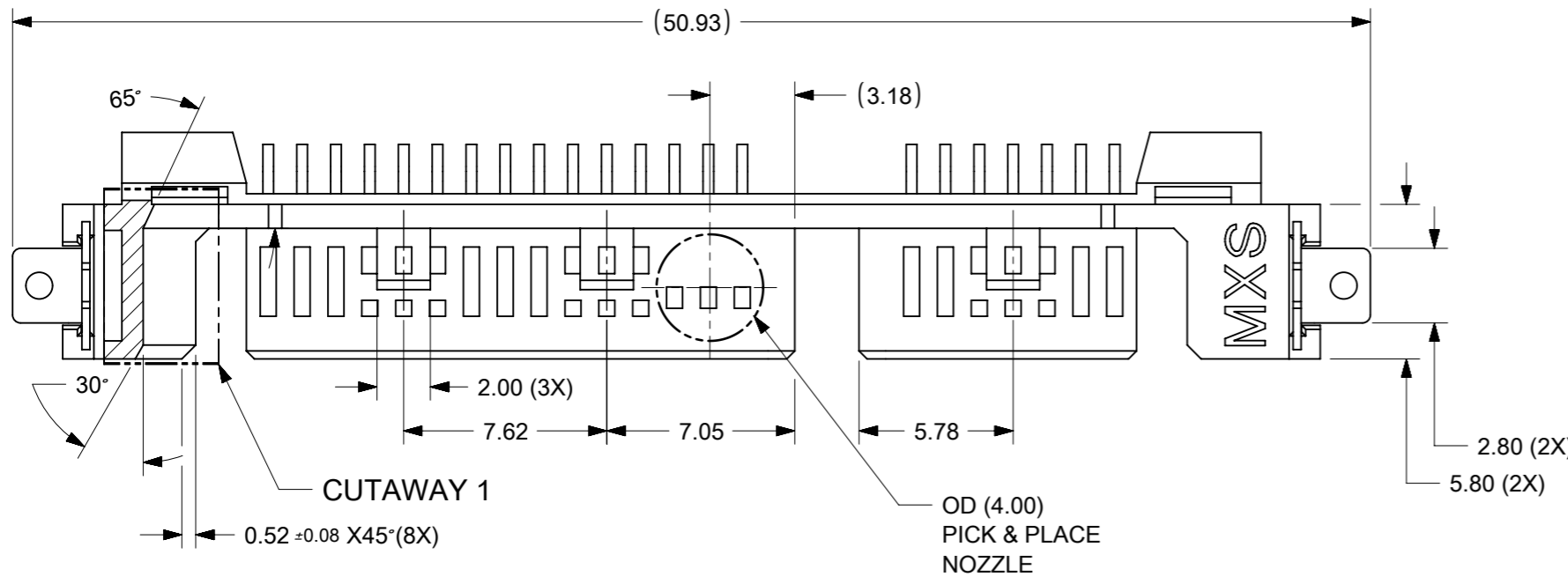
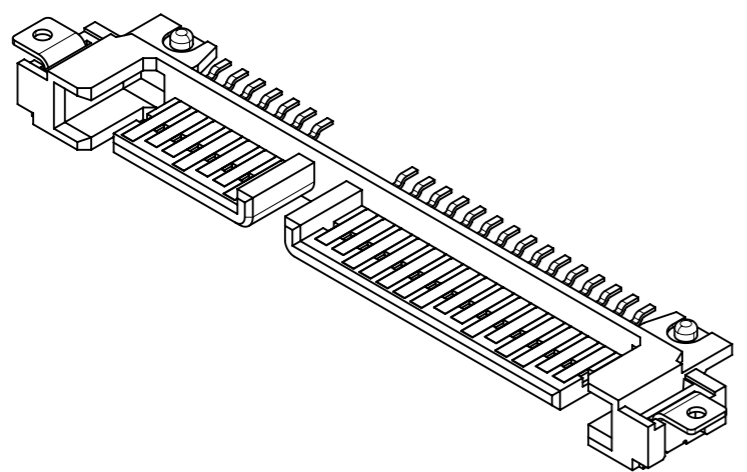
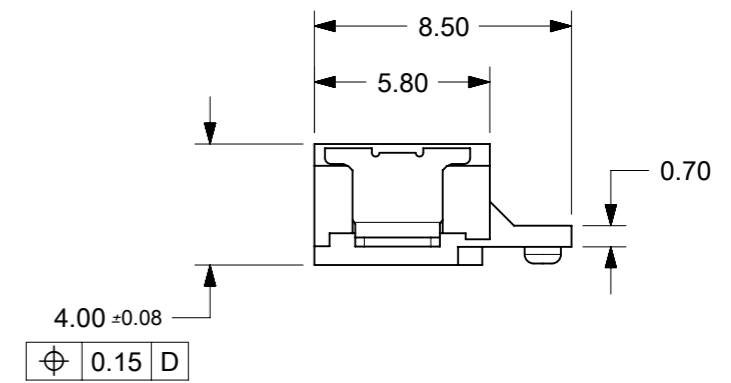
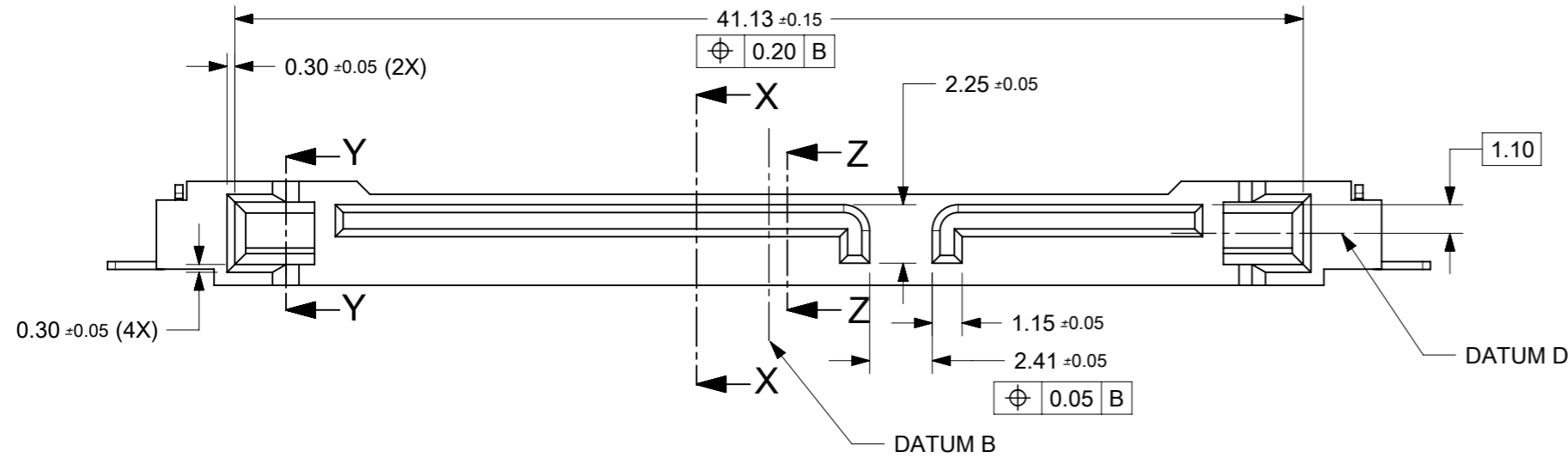


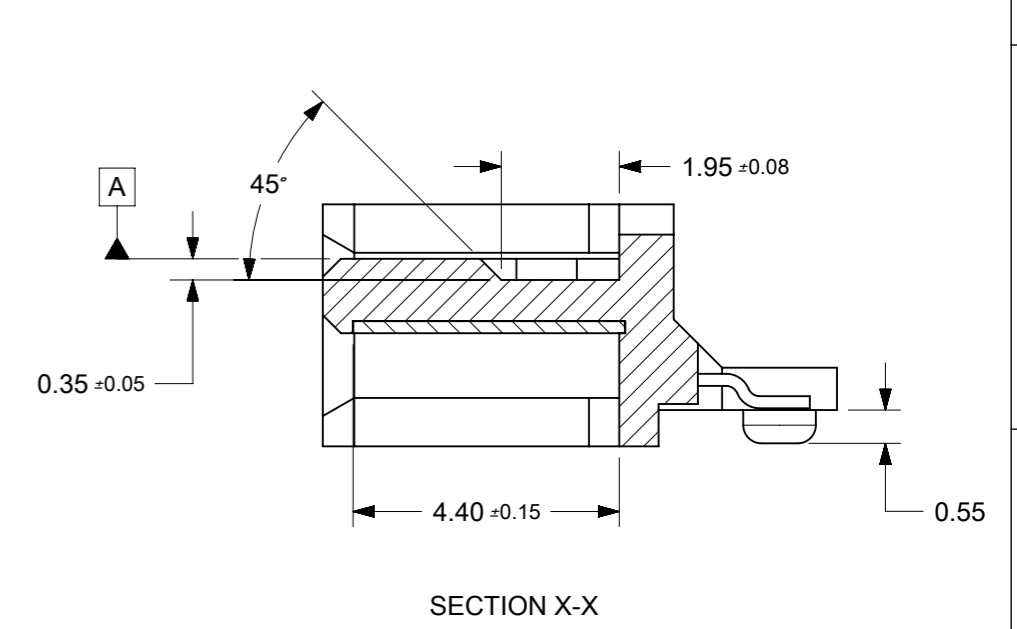
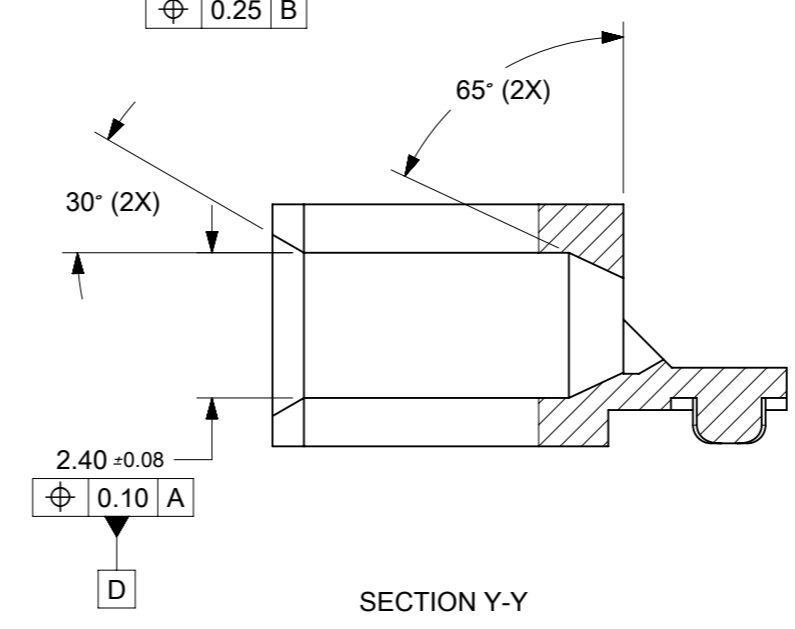
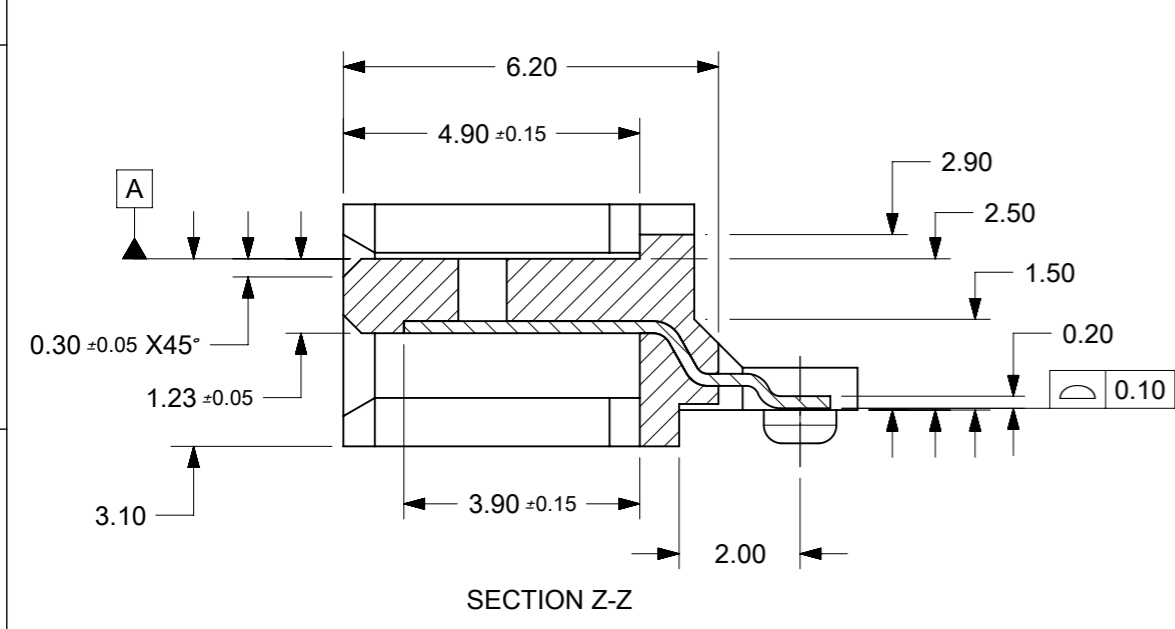
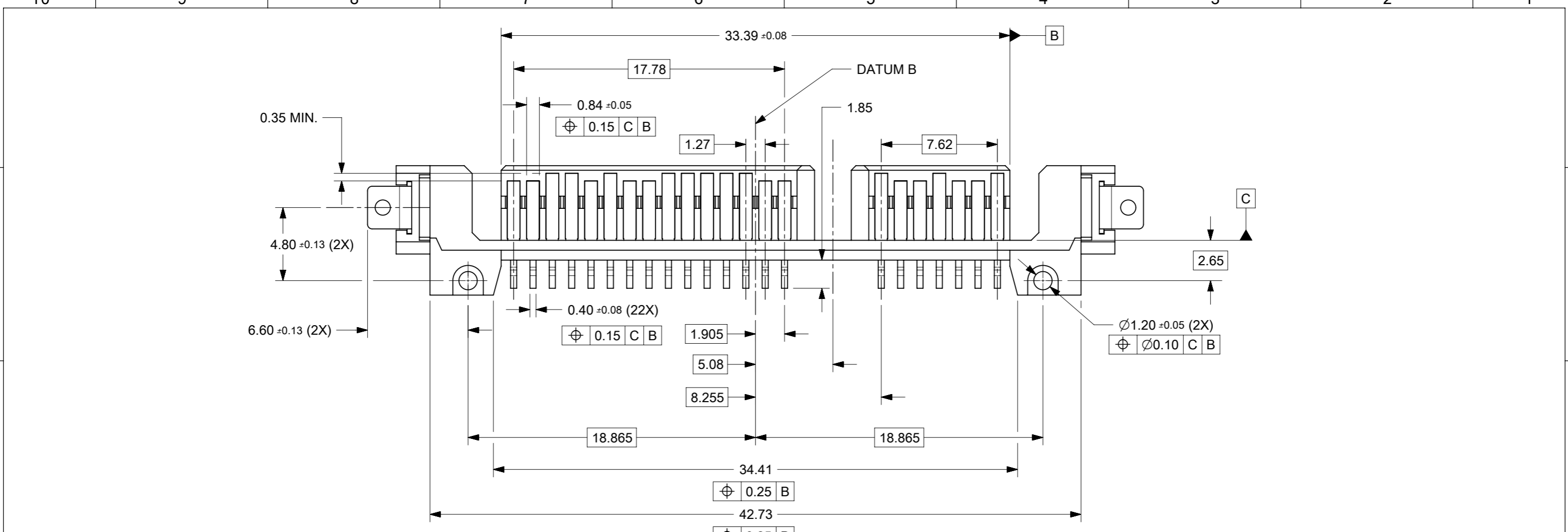
PART NUMBER	PACKAGING
87703-0001	TRAY



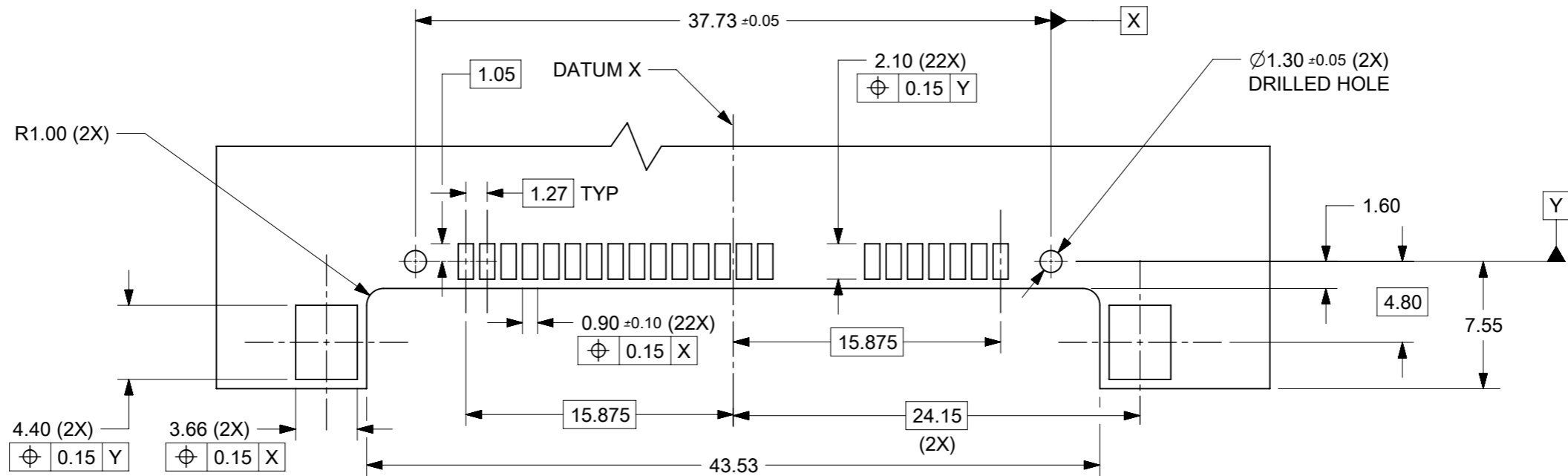
- NOTES:
- MATERIAL:  
HOUSING: LIQUID CRYSTALLINE POLYMER (LCP), GLASS FILLED  
UL 94V-0, COLOR: BLACK  
CONTACTS & SMT NAILS: COPPER ALLOY
  - PLATING FINISH ON CONTACTS AND SOLDER TAILS:  
0.127µm MIN. GOLD FLASH OVER 1.27µm MIN. NICKEL UNDERPLATE
  - PLATING FINISH ON SMT NAILS:  
3.18µm MIN. TIN OVER 1.27µm MIN. NICKEL UNDERPLATE
  - PRODUCT SPECIFICATION: PS-87703-017 APPLIES
  - PRODUCT CONFORMS TO SERIAL ATA SPECIFICATION.
  - PACKAGING: SEE TABLE
  - PRODUCT IS COMPLIANT TO RoHS DIRECTIVE WITH THE FOLLOWING BANNED SUBSTANCES - LEAD, MERCURY, CADMIUM, HEXAVALENT CHROMIUM, POLYBROMINATED BIPHENYLS AND POLYBROMINATED DIPHENYL ETHERS.
  - MATES WITH: SATA RECEPTACLE SERIES: 87678, 87701, 87713, 87779, 87780, 87781  
SFF-8482 RECEPTACLE SERIES: 87824, 87839, 87863, 87970



THIS DRAWING CONTAINS INFORMATION THAT IS PROPRIETARY TO MOLEX ELECTRONIC TECHNOLOGIES, LLC AND SHOULD NOT BE USED WITHOUT WRITTEN PERMISSION									
DIMENSION UNITS		SCALE		CURRENT REV DESC: OBSOLETE PART NO				<b>molex</b>	
mm		4:1							
GENERAL TOLERANCES (UNLESS SPECIFIED)									
		MM		INCH		EC NO: 625872		SERIAL ATA PLUG	
4 PLACES		±		±		DRWN: SKANG 2018/01/18		2.5 INCH HDD	
3 PLACES		±		±		CHK'D: GB 2019/11/06			
2 PLACES		± 0.2		±		APPR: GGA 2019/11/12		PRODUCT CUSTOMER DRAWING	
1 PLACE		±		±		INITIAL REVISION:		DOCUMENT NUMBER	
0 PLACES		±		±		DRWN: RSHAN 2002/11/18		SD-87703-002	
ANGULAR TOL		± 3.0°		±		APPR: SKTOH 2002/12/18		DOC TYPE DOC PART REVISION	
DRAFT WHERE APPLICABLE MUST REMAIN WITHIN DIMENSIONS		THIRD ANGLE PROJECTION		DRAWING		SERIES		MATERIAL NUMBER CUSTOMER SHEET NUMBER	
		A3-SIZE		87703		SEE TABLE GENERAL MARKET		1 OF 5	



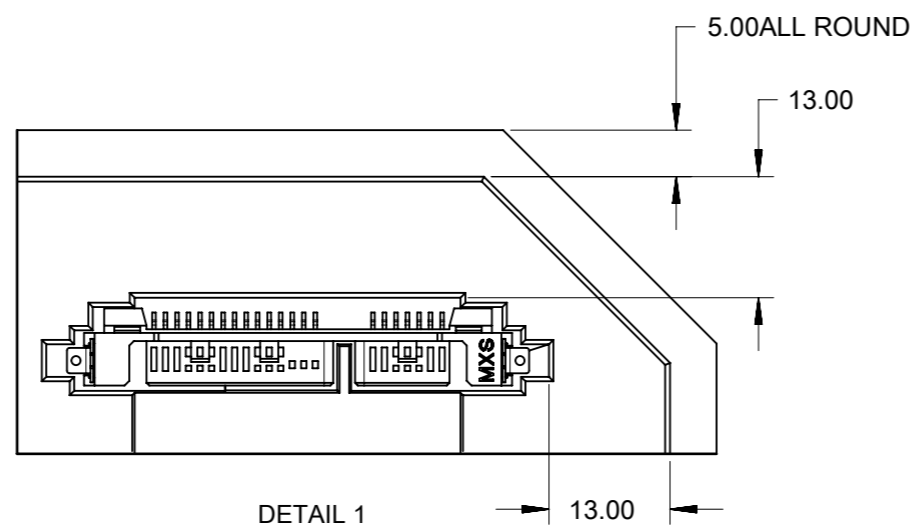
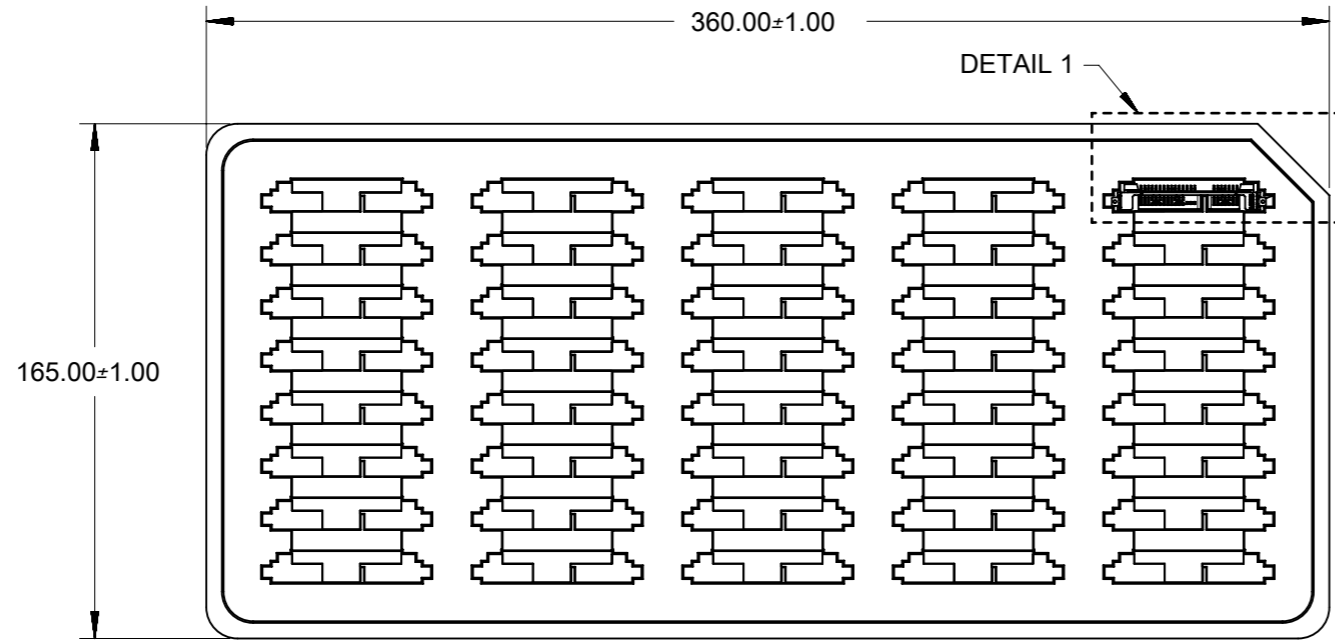
THIS DRAWING CONTAINS INFORMATION THAT IS PROPRIETARY TO MOLEX ELECTRONIC TECHNOLOGIES, LLC AND SHOULD NOT BE USED WITHOUT WRITTEN PERMISSION									
DIMENSION UNITS		SCALE		CURRENT REV DESC: OBSOLETE PART NO					
mm		1:1		<div style="text-align: center; font-weight: bold; font-size: 1.2em;">molex</div> <p>SERIAL ATA PLUG 2.5 INCH HDD</p> <p>PRODUCT CUSTOMER DRAWING</p>					
GENERAL TOLERANCES (UNLESS SPECIFIED)									
	MM	INCH							
4 PLACES	±	±							
3 PLACES	±	±							
2 PLACES	±	0.2	±						
1 PLACE	±	±							
0 PLACES	±	±							
ANGULAR TOL		± 3.0°		EC NO: 625872		2018/01/18			
DRAFT WHERE APPLICABLE MUST REMAIN WITHIN DIMENSIONS		THIRD ANGLE PROJECTION		DRAWING		SERIES		MATERIAL NUMBER	
				A3-SIZE		87703		SEE TABLE	
								CUSTOMER	
								GENERAL MARKET	
								SHEET NUMBER	
								2 OF 5	



RECOMMENDED PCB LAYOUT  
 PCB THICKNESS : 0.50±0.08

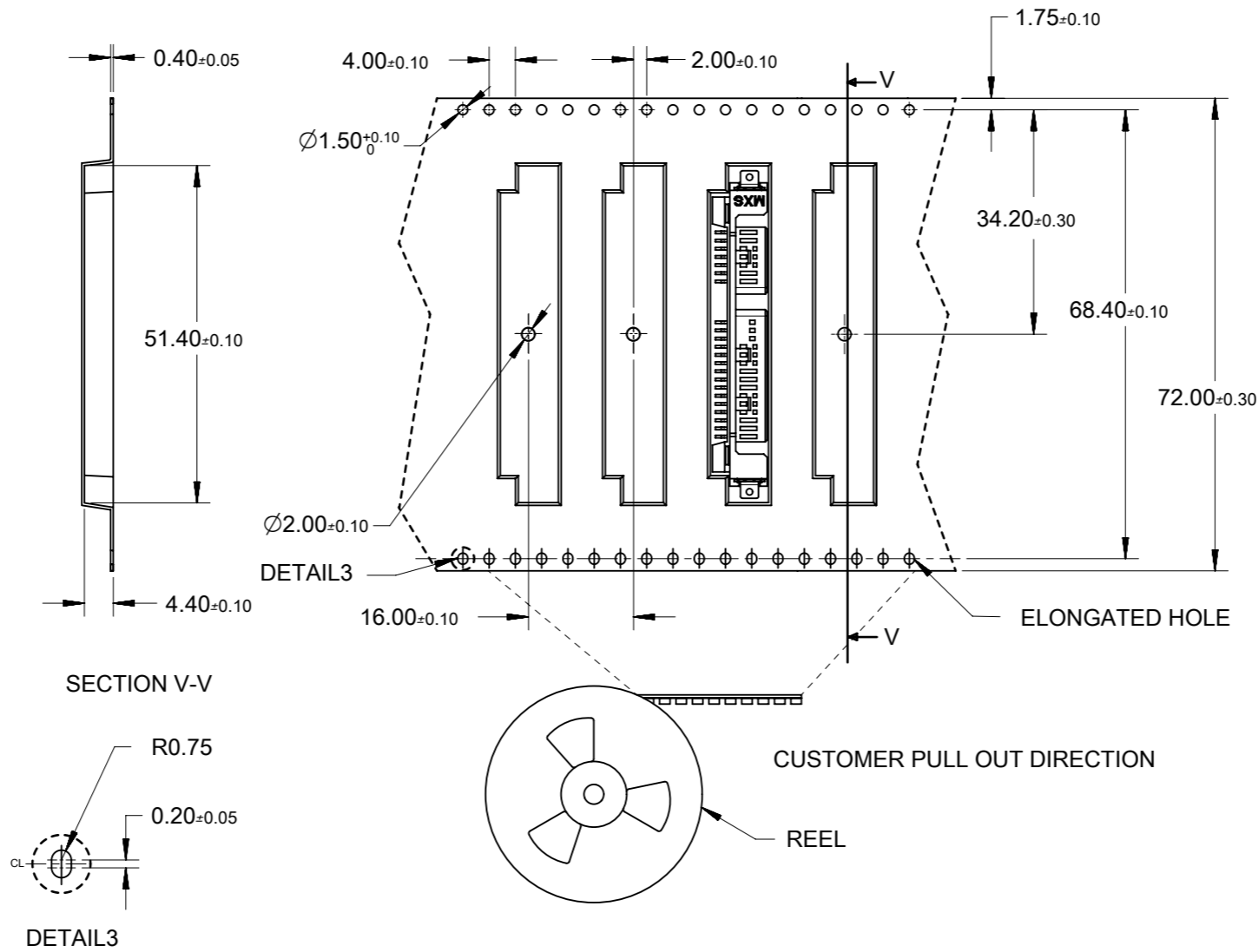
THIS DRAWING CONTAINS INFORMATION THAT IS PROPRIETARY TO MOLEX ELECTRONIC TECHNOLOGIES, LLC AND SHOULD NOT BE USED WITHOUT WRITTEN PERMISSION									
DIMENSION UNITS <b>mm</b>		SCALE <b>3:1</b>		CURRENT REV DESC: OBSOLETE PART NO				<b>molex</b>	
GENERAL TOLERANCES (UNLESS SPECIFIED)				EC NO: 625872					
				DRWN: SKANG		2018/01/18		SERIAL ATA PLUG	
4 PLACES ±				CHK'D: GB		2019/11/06		2.5 INCH HDD	
3 PLACES ±				APPR: GGA		2019/11/12		PRODUCT CUSTOMER DRAWING	
2 PLACES ± 0.2				INITIAL REVISION:				DOCUMENT NUMBER	
1 PLACE ±				DRWN: RSHAN		2002/11/18		SD-87703-002	
0 PLACES ±				APPR: SKTOH		2002/12/18		PSD 001 D	
ANGULAR TOL ± 3.0°				DRAFT WHERE APPLICABLE MUST REMAIN WITHIN DIMENSIONS		THIRD ANGLE PROJECTION		DRAWING	
				A3-SIZE		SERIES		MATERIAL NUMBER	
				87703		CUSTOMER		SEE TABLE	
				GENERAL MARKET		SHEET NUMBER		3 OF 5	

# TRAY PACKAGING

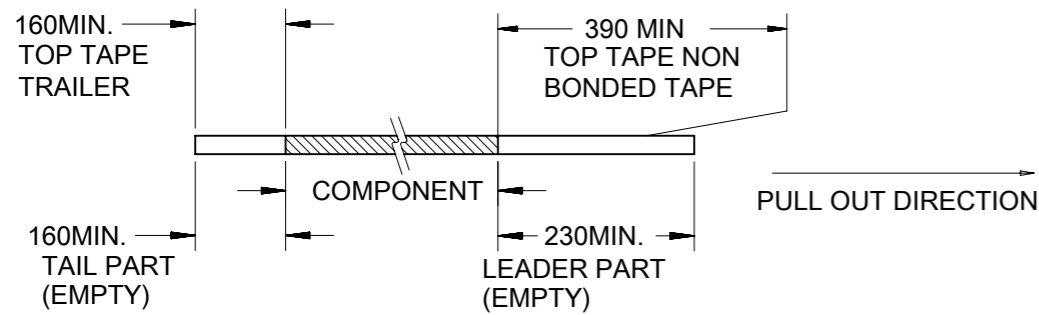


THIS DRAWING CONTAINS INFORMATION THAT IS PROPRIETARY TO MOLEX ELECTRONIC TECHNOLOGIES, LLC AND SHOULD NOT BE USED WITHOUT WRITTEN PERMISSION									
DIMENSION UNITS		SCALE		CURRENT REV DESC: OBSOLETE PART NO				<b>molex</b>	
mm		1:2.5							
GENERAL TOLERANCES (UNLESS SPECIFIED)				EC NO: 625872		2018/01/18		SERIAL ATA PLUG	
				DRWN: SKANG		2019/11/06		2.5 INCH HDD	
4 PLACES ±				CHK'D: GB		2019/11/12		PRODUCT CUSTOMER DRAWING	
3 PLACES ±				APPR: GGA					
2 PLACES ± 0.2				INITIAL REVISION:				DOCUMENT NUMBER	
1 PLACE ±				DRWN: RSHAN		2002/11/18		SD-87703-002	
0 PLACES ±				APPR: SKTOH		2002/12/18		DOC TYPE	
ANGULAR TOL ± 3.0°								PSD	
DRAFT WHERE APPLICABLE MUST REMAIN WITHIN DIMENSIONS		THIRD ANGLE PROJECTION		DRAWING		SERIES		MATERIAL NUMBER	
				A3-SIZE		87703		CUSTOMER	
								GENERAL MARKET	
								SHEET NUMBER	
								4 OF 5	

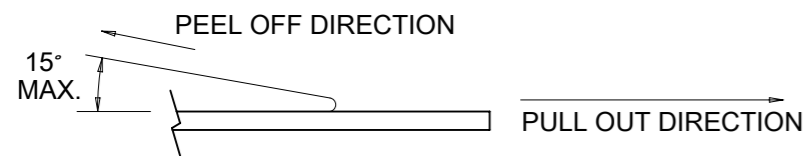
# TAPE & REEL PACKAGING



NOTES:  
1. LEADER AND TRAILER TAPE



2. PEELING OFF FORCE OF THE TOP TAPE: 20 - 60gf.  
(PEELING DIRECTION AS SHOWN IN FOLLOWING FIGURE)



3. TAPE AND REEL SPECIFICATION IS AS PER EIA-481.  
4. TAPE AND REEL QUANTITY : 850 PCS/ REEL.  
5. THE TAPE IS TREATED FOR ANTI-STATIC.

THIS DRAWING CONTAINS INFORMATION THAT IS PROPRIETARY TO MOLEX ELECTRONIC TECHNOLOGIES, LLC AND SHOULD NOT BE USED WITHOUT WRITTEN PERMISSION									
DIMENSION UNITS		SCALE		CURRENT REV DESC: OBSOLETE PART NO				<b>molex</b>	
mm		1:1							
GENERAL TOLERANCES (UNLESS SPECIFIED)									
		MM		INCH		EC NO: 625872			
4 PLACES		±		±		DRWN: SKANG 2018/01/18			
3 PLACES		±		±		CHK'D: GB 2019/11/06			
2 PLACES		± 0.2		±		APPR: GGA 2019/11/12			
1 PLACE		±		±		INITIAL REVISION:			
0 PLACES		±		±		DRWN: RSHAN 2002/11/18		DOCUMENT NUMBER	
ANGULAR TOL		± 3.0°		±		APPR: SKTOH 2002/12/18		SD-87703-002	
DRAFT WHERE APPLICABLE MUST REMAIN WITHIN DIMENSIONS				THIRD ANGLE PROJECTION		DRAWING		SERIES	
				A3-SIZE		87703		MATERIAL NUMBER	
				SEE TABLE		GENERAL MARKET		SHEET NUMBER	
				5 OF 5					