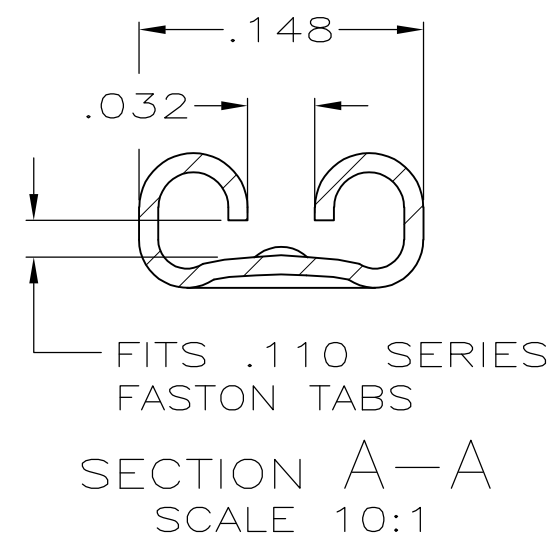
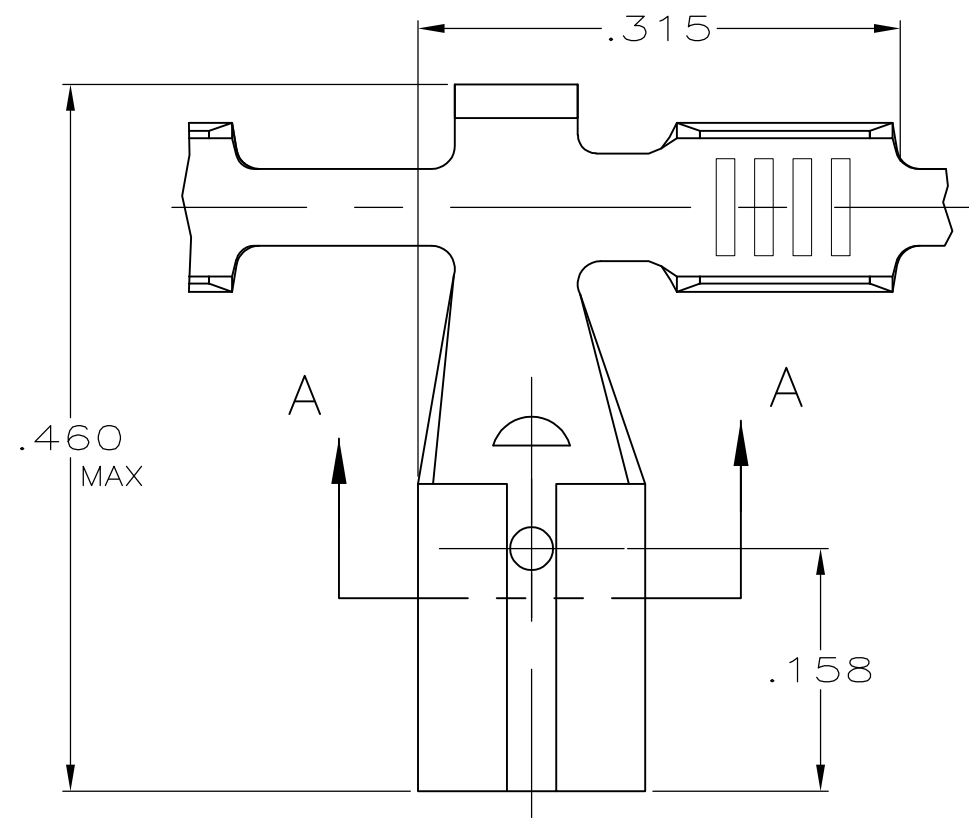
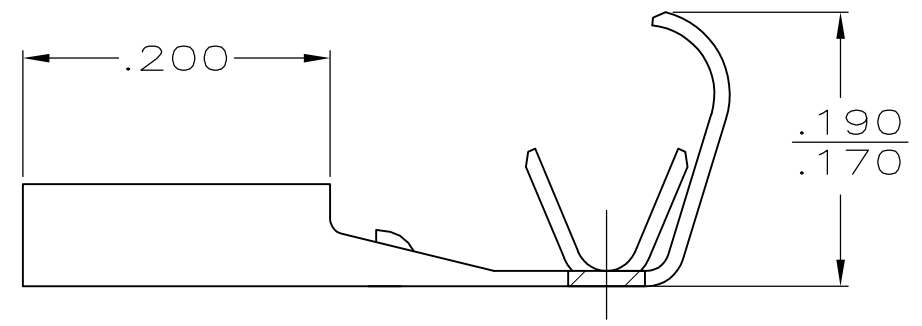
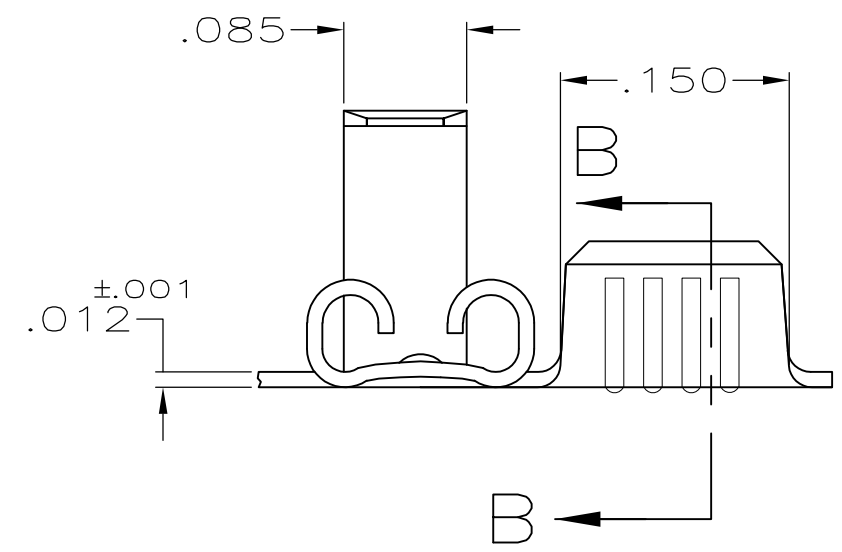
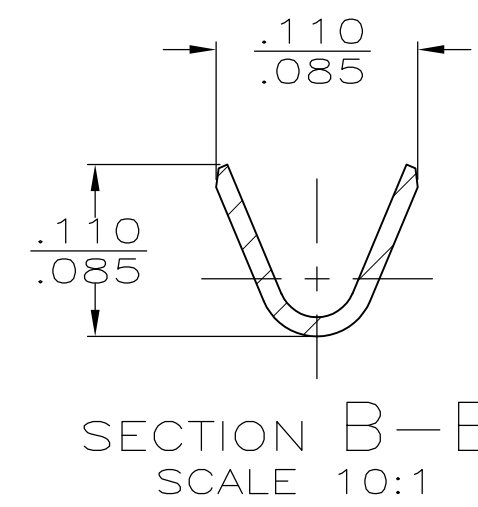


THIS DRAWING IS UNPUBLISHED. RELEASED FOR PUBLICATION
 © COPYRIGHT - By - ALL RIGHTS RESERVED.

LOC	DIST	REVISIONS					
AF	50	P	LTR	DESCRIPTION	DATE	DWN	APVD
			H	REVISED PER ECR-12-013445	09NOV12	KH	PD



- 1 CONTINUOUS STRIP ON REELS
- 2 FEED TO BE $.430 \pm .005$



.065-.100 DIA		22-18 AWG		.020		60605-1	
INSULATION RANGE		WIRE SIZE		MATING TAB THK ±.001		PART NO	
THIS DRAWING IS A CONTROLLED DOCUMENT.				DWN JR RUTH 4/24/91		TE Connectivity RECEPTACLE, FASTON, FLAG, .110 SERIES	
DIMENSIONS: INCHES		TOLERANCES UNLESS OTHERWISE SPECIFIED:		CHK MS FEHER 4/24/91			
		0 PLC ± -		APVD C MEYERS 4/24/91			
		1 PLC ± -		PRODUCT SPEC			
		2 PLC ± -		APPLICATION SPEC		NAME	
		3 PLC ± .015		-		SIZE	
MATERIAL BRASS		FINISH TIN		WEIGHT -		CAGE CODE	
				CUSTOMER DRAWING		DRAWING NO	
				SCALE 8:1		RESTRICTED TO	
				SHEET 1 OF 1		REV H	
				A300779		G-60605	