

MATERIALS AND FINISHES

BODY ZINC ALLOY
 PLATED BRIGHT TIN 100 MICROINCHES MIN.

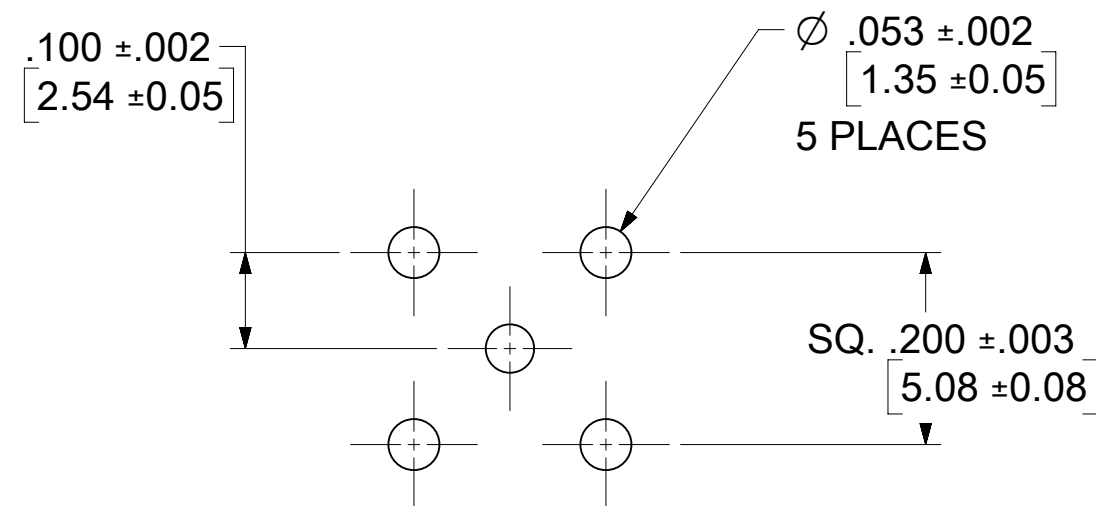
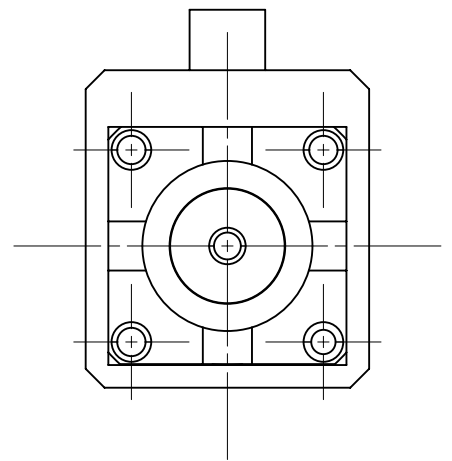
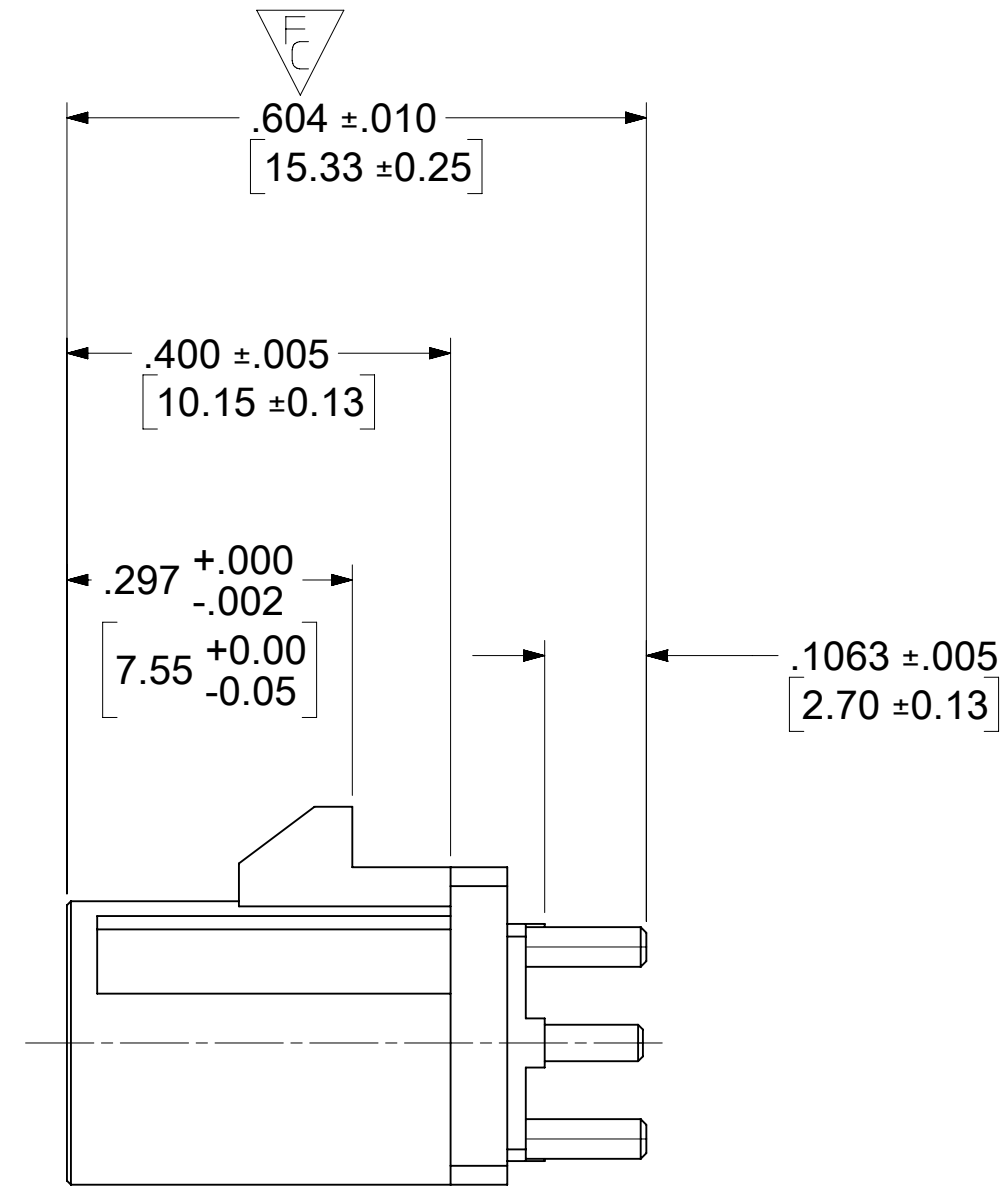
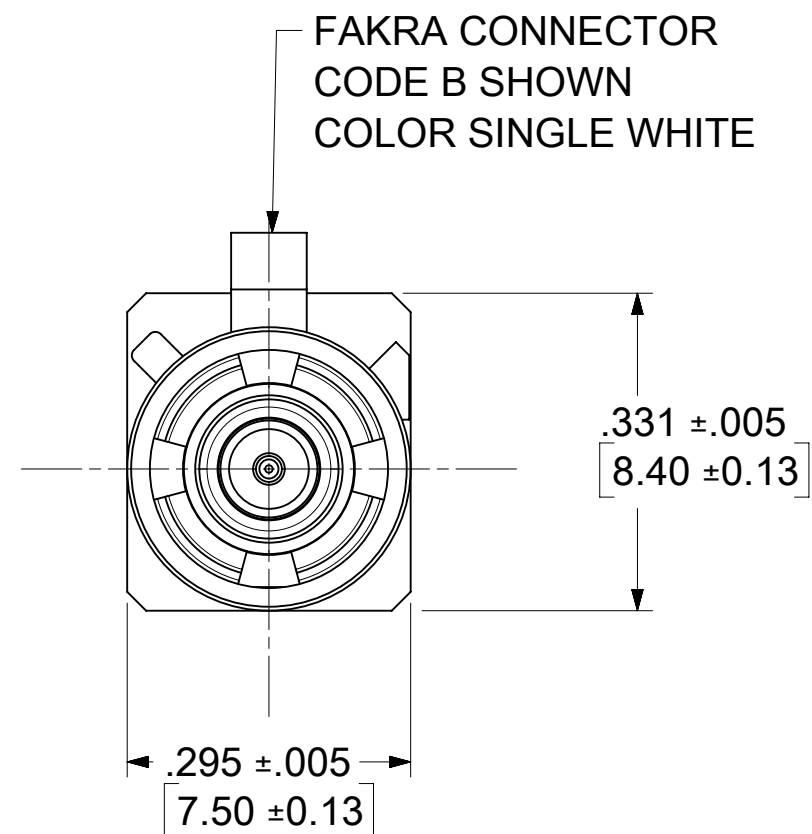
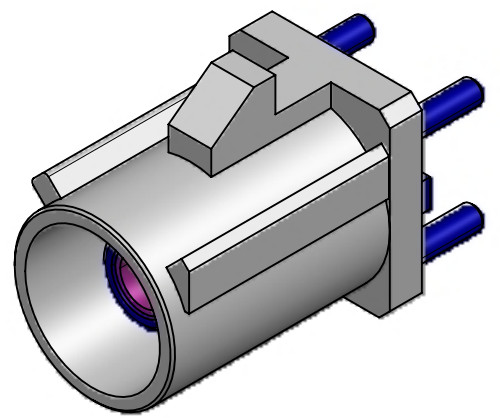
CENTER CONTACT BRASS
 PLATED GOLD 5 MICROINCHES MIN. OVER
 NICKEL 50 MICROINCHES MIN.

OUTER CASING NYLON46 30GF (STANYL TS200F6)
 KEYING CODE B
 COLOR SINGLE WHITE

INSULATOR TEFLON

RETENTION SPECIFICATION:

THE FAKRA CONNECTOR SHROUD WILL WITHSTAND
 A LONGITUDINAL FORCE OF 110 N (24.75 LBS)



RECOMMENDED PCB LAYOUT

PART # 73403-5561

PS-89675-3310	PRODUCT SPECIFICATION
MIL-STD-348A, FIG. 311.1	INTERFACE SPECIFICATION
SPECIFICATION	DESCRIPTION

FUNCTIONAL SYMBOLS $\frac{F}{A} = 0$ $\frac{F}{C} = 0$ $\frac{F}{P} = 0$	THIS DRAWING CONTAINS INFORMATION THAT IS PROPRIETARY TO MOLEX ELECTRONIC TECHNOLOGIES, LLC AND SHOULD NOT BE USED WITHOUT WRITTEN PERMISSION	SCALE		CURRENT REV DESC:						
	DIMENSION UNITS	INCH/MM	SCALE	NTS	GENERAL TOLERANCES (UNLESS SPECIFIED)					
	DIVISIONAL SYMBOLS	ANGULAR TOL	±	2.0°	4 PLACES	±	EC NO: 719496	DRWN: ELIN	2022/08/17	SMB JACK, FAKRA, VERTICAL PCB, 50 OHM SMB-J/PCB, EWR # 14535
	3 PLACES	±	CHK'D: YCHENG	2022/08/30	2 PLACES	±	APPR: YCHENG	2022/08/30	PRODUCT CUSTOMER DRAWING	
1 PLACE	±	INITIAL REVISION:		DRWN: ELIN	2010/01/20	DOCUMENT NUMBER		DOC TYPE	DOC PART	REVISION
0 PLACES	±	APPR: MHUANG		2010/01/27	SD-73403-556		PSD	001	A4	
DRAFT WHERE APPLICABLE MUST REMAIN WITHIN DIMENSIONS		THIRD ANGLE PROJECTION		DRAWING	C-SIZE	SERIES	73403	MATERIAL NUMBER	CUSTOMER	SHEET NUMBER
						SEE TABLE	GENERAL MARKET	1 OF 8		

DOCUMENT STATUS	P1	RELEASE DATE	2022/08/30	08:30:37
-----------------	----	--------------	------------	----------

MATERIALS AND FINISHES

BODY ZINC ALLOY
 PLATED BRIGHT TIN 100 MICROINCHES MIN.

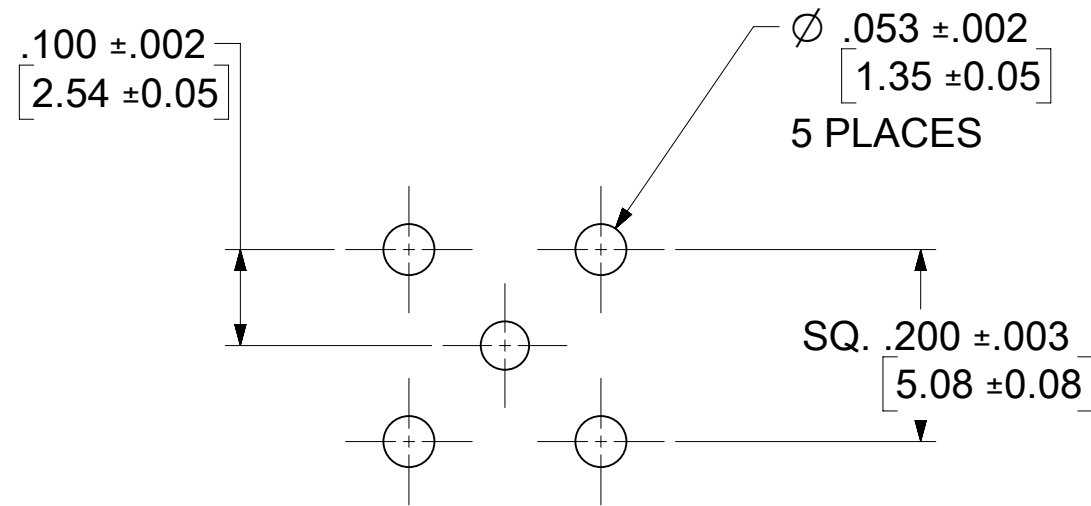
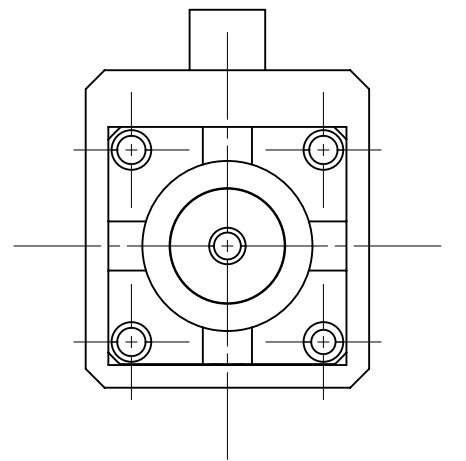
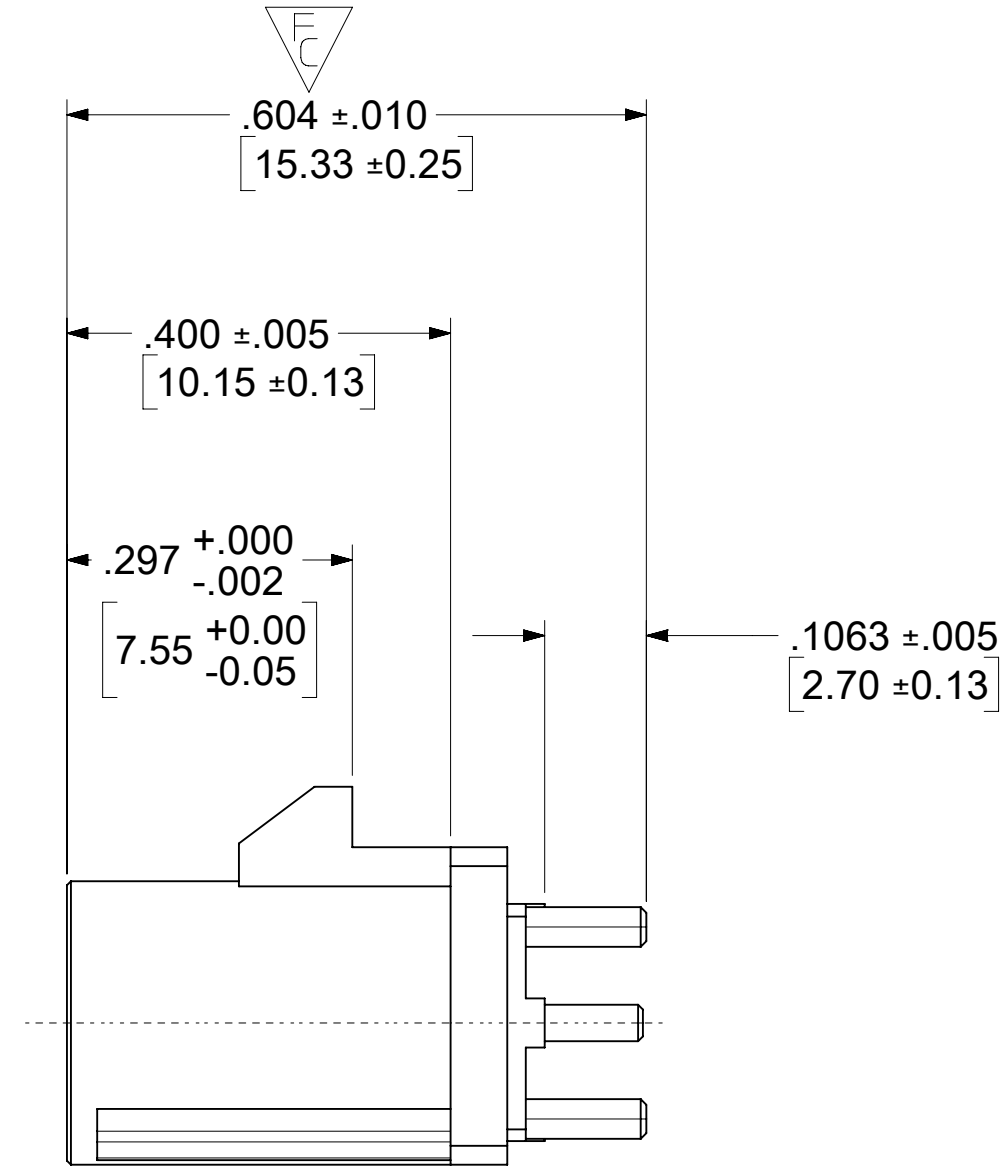
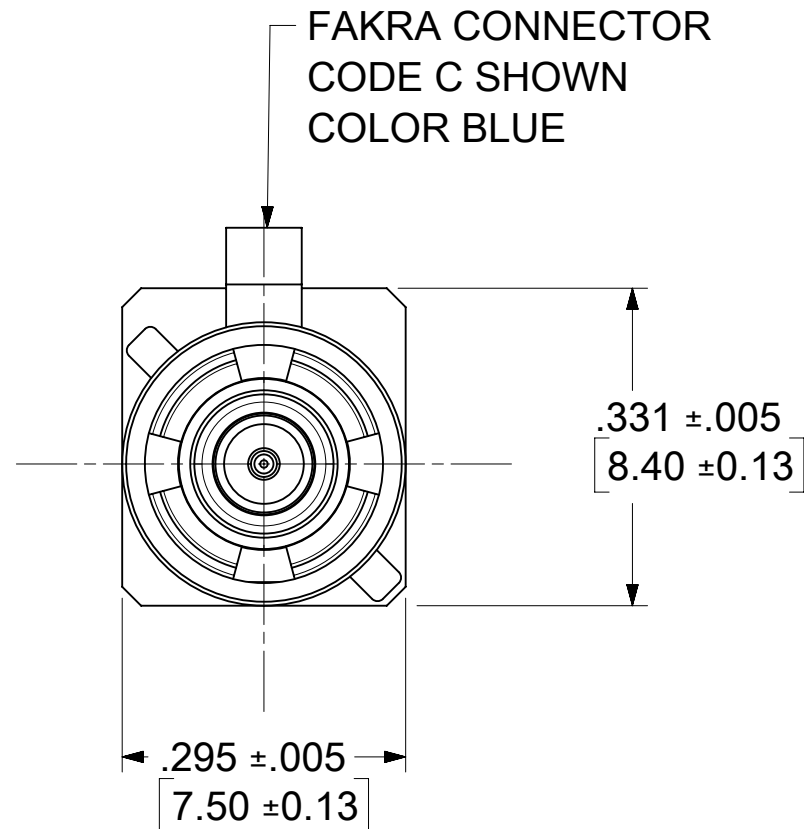
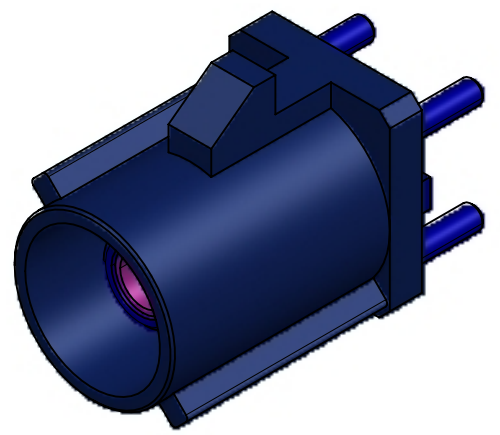
CENTER CONTACT BRASS
 PLATED GOLD 5 MICROINCHES MIN. OVER
 NICKEL 50 MICROINCHES MIN.

OUTER CASING NYLON46 30GF (STANYL TS200F6)
 KEYING CODE C
 COLOR BLUE

INSULATOR TEFLON

RETENTION SPECIFICATION:

THE FAKRA CONNECTOR SHROUD WILL WITHSTAND
 A LONGITUDINAL FORCE OF 110 N (24.75 LBS)



RECOMMENDED PCB LAYOUT

PART # 73403-5562

PS-89675-3310	PRODUCT SPECIFICATION
MIL-STD-348A, FIG. 311.1	INTERFACE SPECIFICATION
SPECIFICATION	DESCRIPTION

FUNCTIONAL SYMBOLS $\frac{F}{A} = 0$ $\frac{E}{C} = 0$ $\frac{E}{P} = 0$	THIS DRAWING CONTAINS INFORMATION THAT IS PROPRIETARY TO MOLEX ELECTRONIC TECHNOLOGIES, LLC AND SHOULD NOT BE USED WITHOUT WRITTEN PERMISSION	SCALE	CURRENT REV DESC:				
	DIMENSION UNITS	INCH/MM	NTS				
	GENERAL TOLERANCES (UNLESS SPECIFIED)		EC NO: 719496				
	ANGULAR TOL ± 2.0°		DRWN: ELIN 2022/08/17				
DIVISIONAL SYMBOLS 4 PLACES ± 3 PLACES ± 2 PLACES ± 1 PLACE ± 0 PLACES ±	DRAFT WHERE APPLICABLE MUST REMAIN WITHIN DIMENSIONS		THIRD ANGLE PROJECTION				
	DRAWING		SERIES				
	C-SIZE		73403				
	MATERIAL NUMBER		CUSTOMER				
DOCUMENT NUMBER		DOC TYPE		DOC PART		REVISION	
SD-73403-556		PSD		001		A4	
SEE TABLE		GENERAL MARKET		SHEET NUMBER		2 OF 8	

DOCUMENT STATUS	P1	RELEASE DATE	2022/08/30	08:30:37
-----------------	----	--------------	------------	----------

MATERIALS AND FINISHES

BODY ZINC ALLOY
 PLATED BRIGHT TIN 100 MICROINCHES MIN.

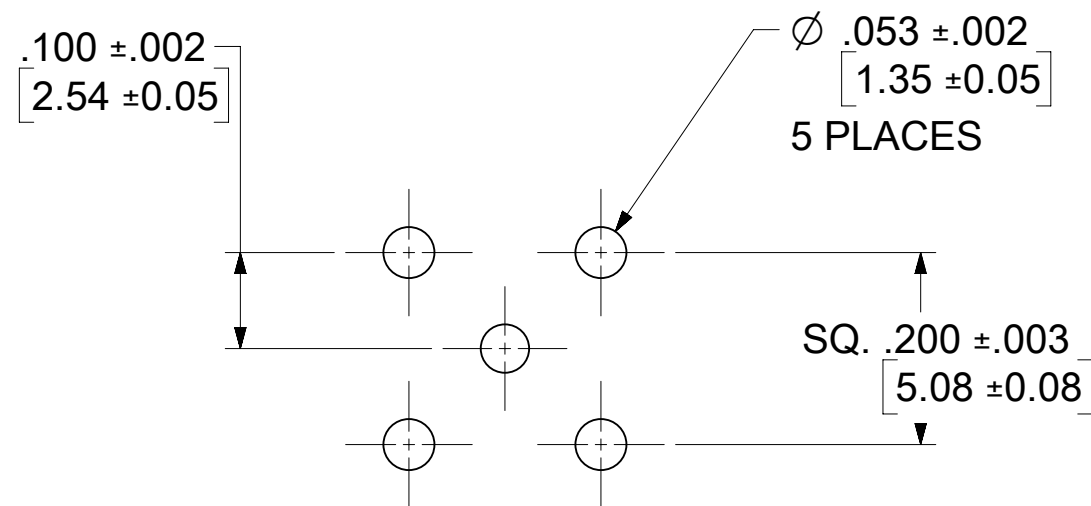
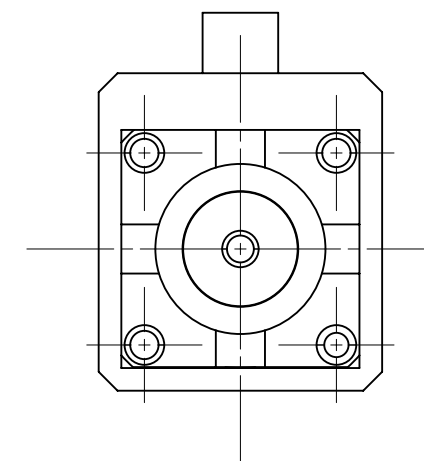
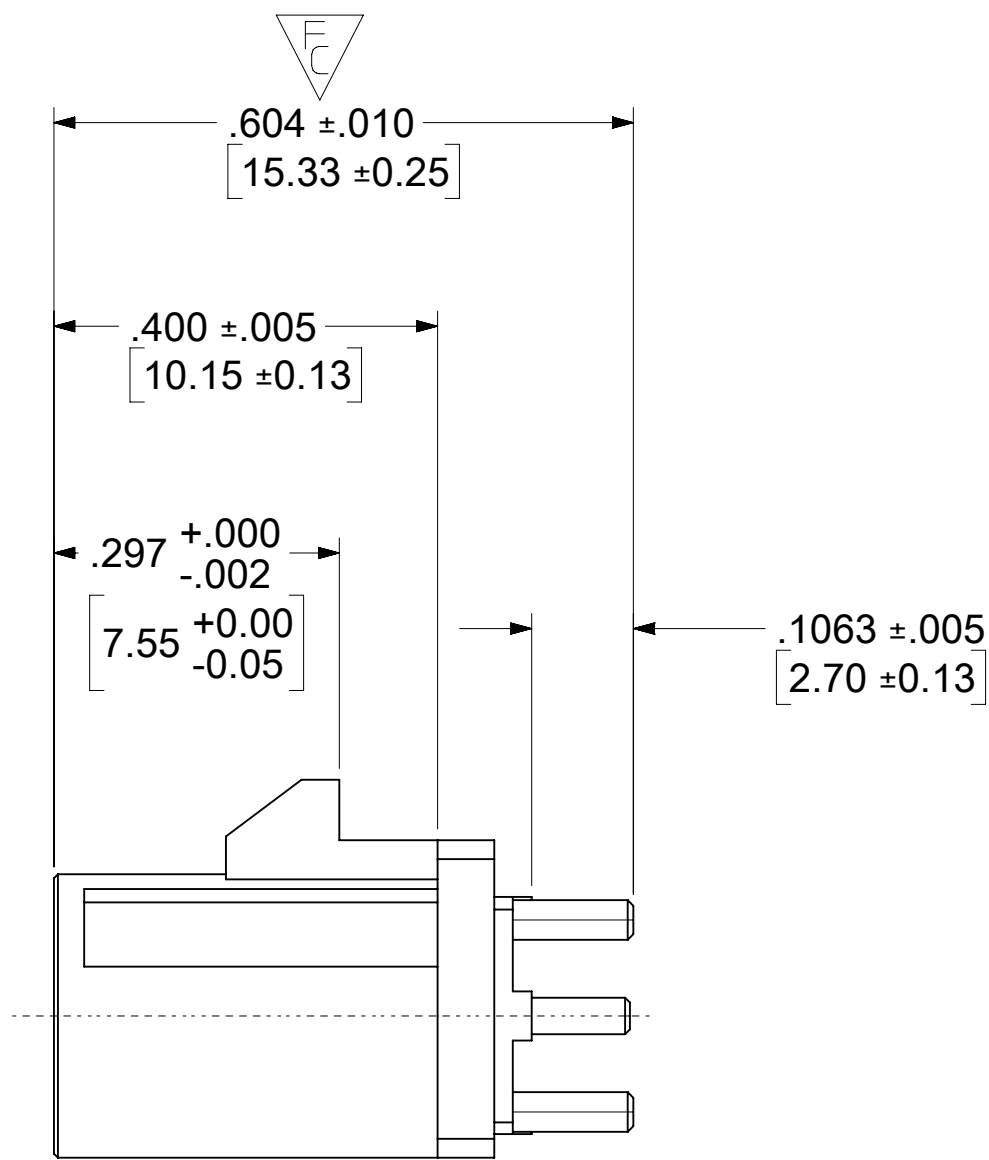
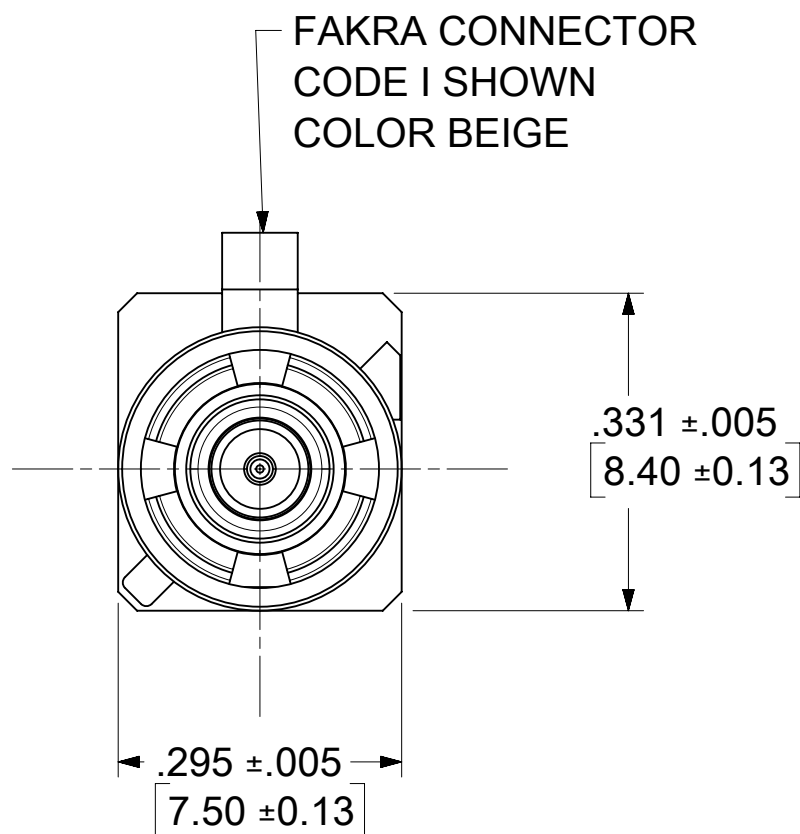
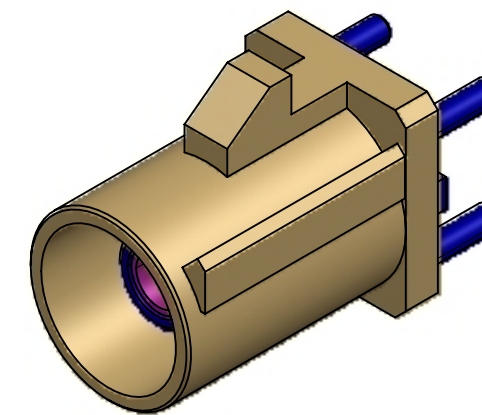
CENTER CONTACT BRASS
 PLATED GOLD 5 MICROINCHES MIN. OVER
 NICKEL 50 MICROINCHES MIN.

OUTER CASING NYLON46 30GF (STANYL TS200F6)
 KEYING CODE I
 COLOR BEIGE

INSULATOR TEFLON

RETENTION SPECIFICATION:

THE FAKRA CONNECTOR SHROUD WILL WITHSTAND
 A LONGITUDINAL FORCE OF 110 N (24.75 LBS)



RECOMMENDED PCB LAYOUT

PART # 73403-5568

PS-89675-3310	PRODUCT SPECIFICATION
MIL-STD-348A, FIG. 311.1	INTERFACE SPECIFICATION
SPECIFICATION	DESCRIPTION

FUNCTIONAL SYMBOLS FA = 0 FC = 0 FP = 0	THIS DRAWING CONTAINS INFORMATION THAT IS PROPRIETARY TO MOLEX ELECTRONIC TECHNOLOGIES, LLC AND SHOULD NOT BE USED WITHOUT WRITTEN PERMISSION		CURRENT REV DESC:		molex		
	DIMENSION UNITS	SCALE	EC NO: 719496				
	INCH/MM	NTS	DRWN: ELIN 2022/08/17				
	GENERAL TOLERANCES (UNLESS SPECIFIED)		CHK'D: YCHENG 2022/08/30				
DIVISIONAL SYMBOLS	ANGULAR TOL ± 2.0°		APPR: YCHENG 2022/08/30		PRODUCT CUSTOMER DRAWING		
	4 PLACES ±	INITIAL REVISION:		DOCUMENT NUMBER	DOC TYPE	DOC PART	REVISION
	3 PLACES ±	DRWN: ELIN 2010/01/20		SD-73403-556	PSD	001	A4
	2 PLACES ±	APPR: MHUANG 2010/01/27		MATERIAL NUMBER	CUSTOMER		SHEET NUMBER
1 PLACE ±	DRAFT WHERE APPLICABLE MUST REMAIN WITHIN DIMENSIONS		THIRD ANGLE PROJECTION	DRAWING	SERIES	SEE TABLE GENERAL MARKET 3 OF 8	
0 PLACES ±	C-SIZE		73403				

DOCUMENT STATUS	P1	RELEASE DATE	2022/08/30	08:30:37
-----------------	----	--------------	------------	----------

MATERIALS AND FINISHES

BODY ZINC ALLOY
 PLATED BRIGHT TIN 100 MICROINCHES MIN.

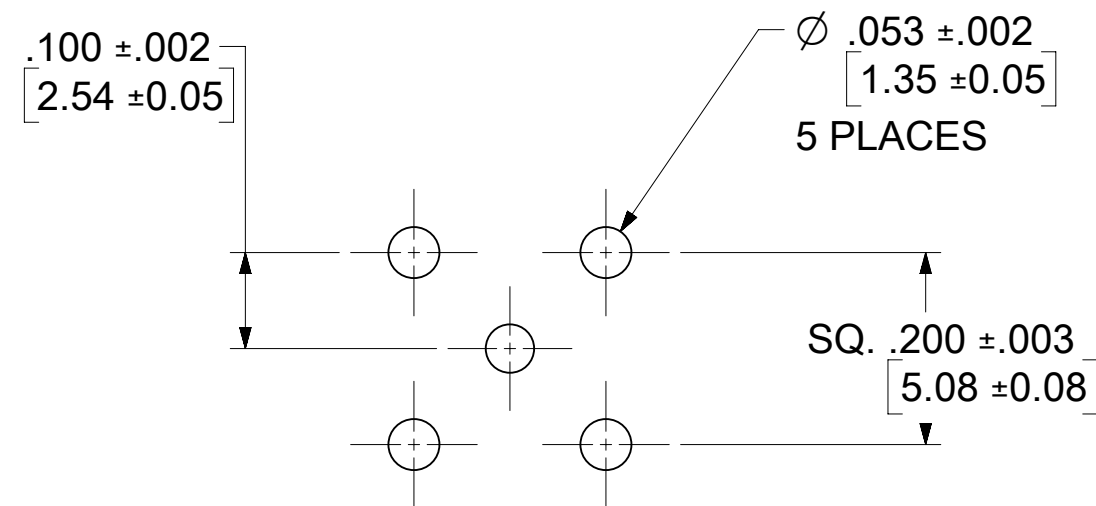
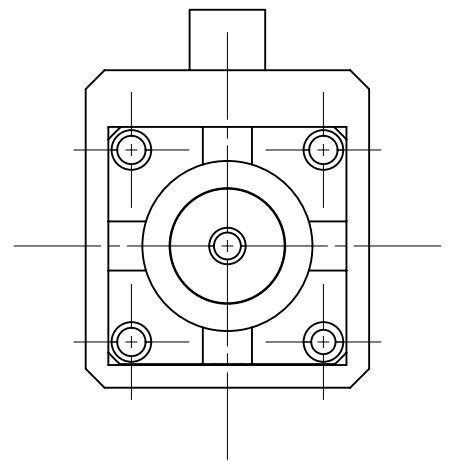
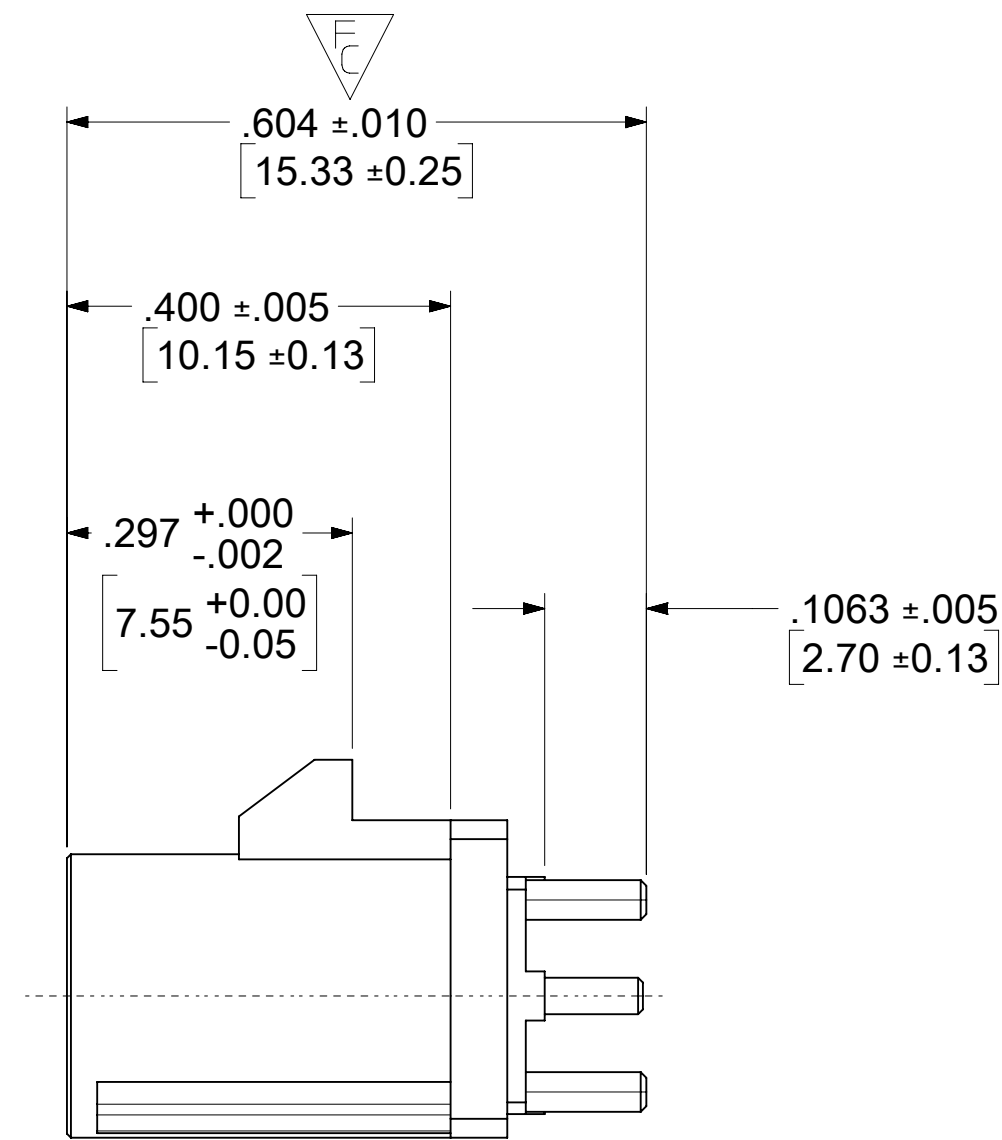
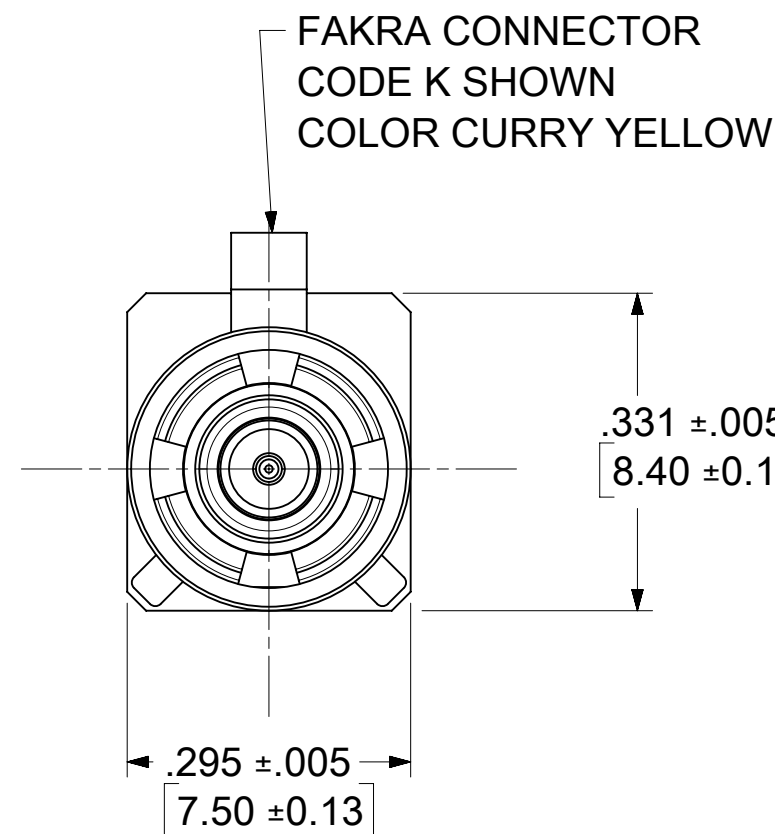
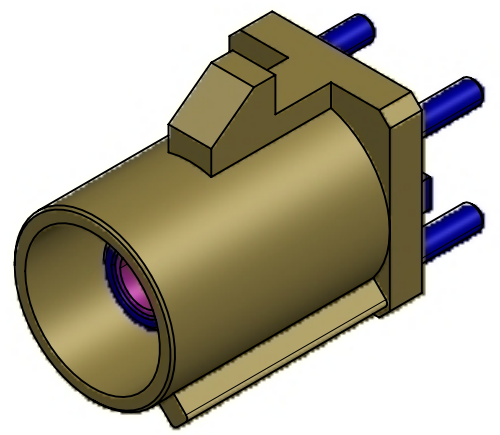
CENTER CONTACT BRASS
 PLATED GOLD 5 MICROINCHES MIN. OVER
 NICKEL 50 MICROINCHES MIN.

OUTER CASING NYLON46 30GF (STANYL TS200F6)
 KEYING CODE K
 COLOR CURRY YELLOW

INSULATOR TEFLON

RETENTION SPECIFICATION:

THE FAKRA CONNECTOR SHROUD WILL WITHSTAND
 A LONGITUDINAL FORCE OF 110 N (24.75 LBS)

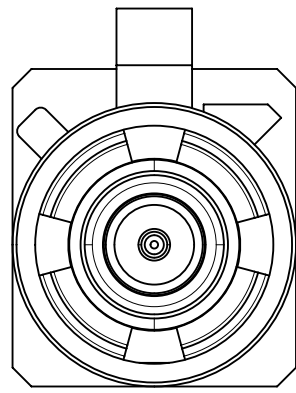


RECOMMENDED PCB LAYOUT

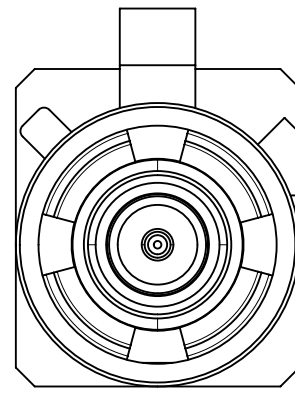
PART # 73403-5569

PS-89675-3310	PRODUCT SPECIFICATION
MIL-STD-348A, FIG. 311.1	INTERFACE SPECIFICATION
SPECIFICATION	DESCRIPTION

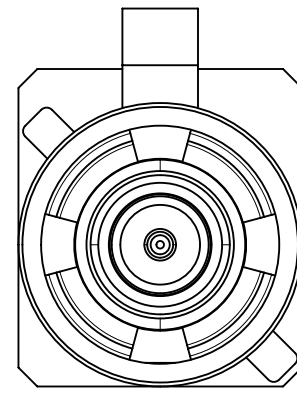
FUNCTIONAL SYMBOLS $\nabla_A = 0$ $\nabla_C = 0$ $\nabla_P = 0$	THIS DRAWING CONTAINS INFORMATION THAT IS PROPRIETARY TO MOLEX ELECTRONIC TECHNOLOGIES, LLC AND SHOULD NOT BE USED WITHOUT WRITTEN PERMISSION	SCALE		CURRENT REV DESC:				
	DIMENSION UNITS	INCH/MM	SCALE			NTS		
	GENERAL TOLERANCES (UNLESS SPECIFIED)							
	ANGULAR TOL ± 2.0°							
DIVISIONAL SYMBOLS	4 PLACES	±	EC NO: 719496					
	3 PLACES	±	DRWN: ELIN 2022/08/17					
	2 PLACES	±	CHK'D: YCHENG 2022/08/30					
	1 PLACE	±	APPR: YCHENG 2022/08/30					
0 PLACES	±	INITIAL REVISION:						
DRAFT WHERE APPLICABLE MUST REMAIN WITHIN DIMENSIONS			THIRD ANGLE PROJECTION	DRAWING	SERIES			
				C-SIZE	73403			
DOCUMENT STATUS		P1	RELEASE DATE	2022/08/30 08:30:37	DOCUMENT NUMBER	DOC TYPE	DOC PART	REVISION
					SD-73403-556	PSD	001	A4
					SEE TABLE	GENERAL MARKET		SHEET NUMBER
								4 OF 8



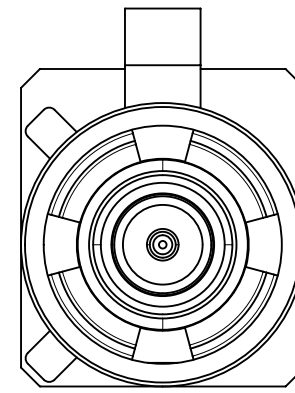
CODE A



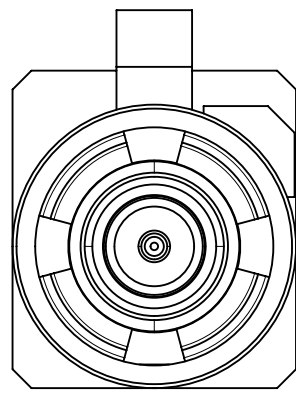
CODE B



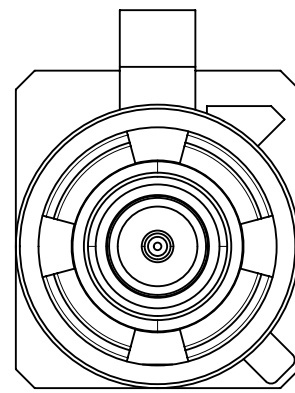
CODE C



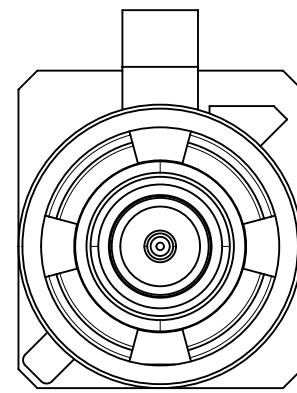
CODE D



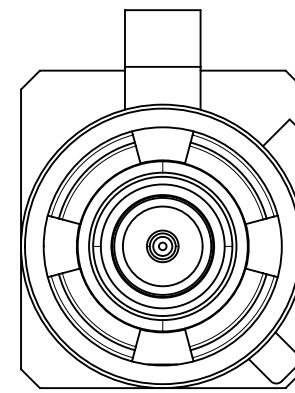
CODE E



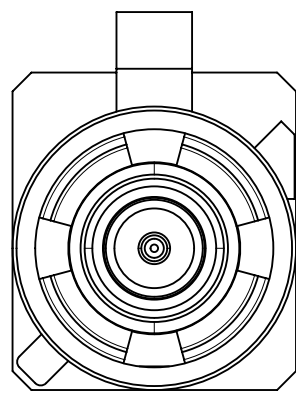
CODE F



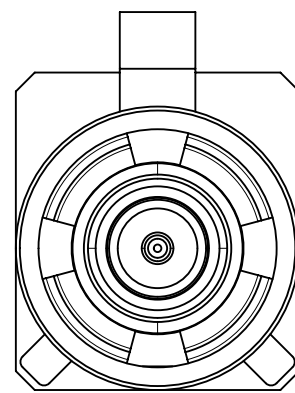
CODE G



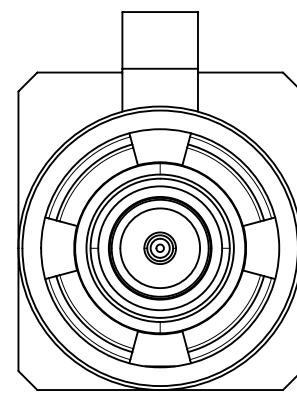
CODE H



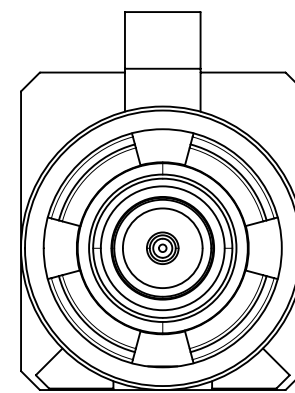
CODE I



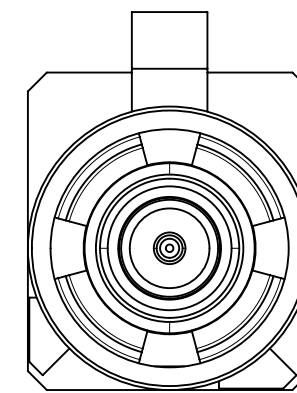
CODE K



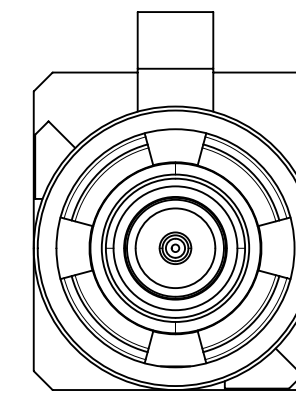
CODE Z



CODE L



CODE M



CODE N

N	PASTEL GREEN	73403-5573
M	PASTEL ORANGE	73403-5572
L	CARMINE RED	73403-5571
Z	WATER BLUE	73403-5570
K	CURRY YELLOW	73403-5569
I	BEIGE	73403-5568
H	VIOLET	73403-5567
G	GRAY	73403-5566
F	BROWN	73403-5565
E	GREEN	73403-5564
D	BORDEAUXVIOLET	73403-5563
C	BLUE	73403-5562
B	SINGLE WHITE	73403-5561
A	BLACK	73403-5560
KEYING CODE	COLOR	PART NO.

THIS DRAWING CONTAINS INFORMATION THAT IS PROPRIETARY TO MOLEX ELECTRONIC TECHNOLOGIES, LLC AND SHOULD NOT BE USED WITHOUT WRITTEN PERMISSION											
FUNCTIONAL SYMBOLS	DIMENSION UNITS	SCALE	CURRENT REV DESC:								
	INCH/MM	NTS	EC NO: 719496 DRWN: ELIN 2022/08/17 CHK'D: YCHENG 2022/08/30 APPR: YCHENG 2022/08/30								
DIVISIONAL SYMBOLS	GENERAL TOLERANCES (UNLESS SPECIFIED)		PRODUCT CUSTOMER DRAWING								
	ANGULAR TOL ± 2.0°		DOCUMENT NUMBER								
	4 PLACES ±	INITIAL REVISION:									
	3 PLACES ±	DRWN: ELIN 2010/01/20									
	2 PLACES ±	APPR: MHUANG 2010/01/27									
1 PLACE ±	DRAFT WHERE APPLICABLE MUST REMAIN WITHIN DIMENSIONS		THIRD ANGLE PROJECTION	DRAWING	SERIES	MATERIAL NUMBER	CUSTOMER	SHEET NUMBER			
0 PLACES ±				C-SIZE	73403	SEE TABLE	GENERAL MARKET	5 OF 8			

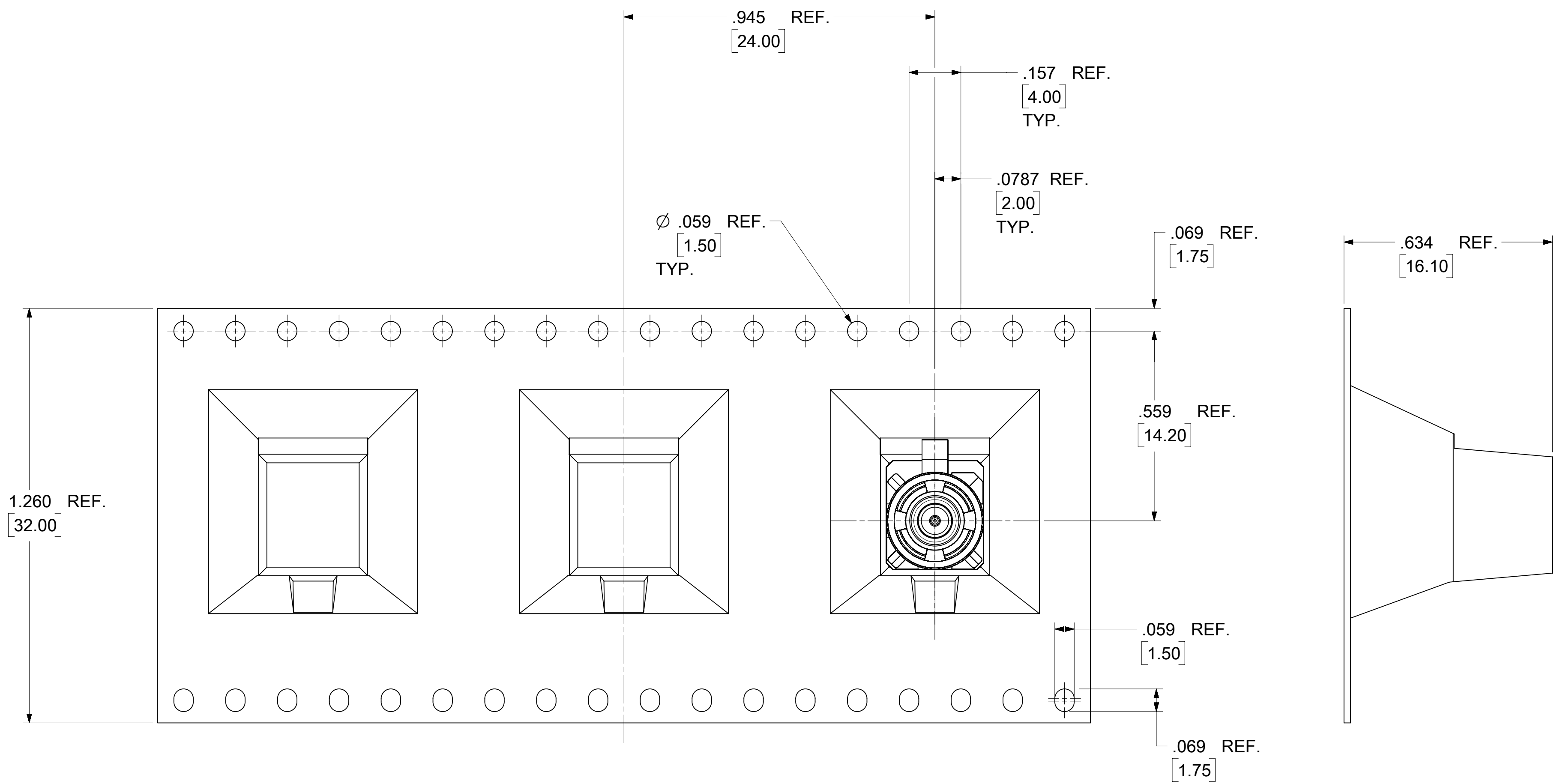
molex

SMB JACK, FAKRA, VERTICAL PCB, 50 OHM
SMB-J/PCB, EWR # 14535

PRODUCT CUSTOMER DRAWING

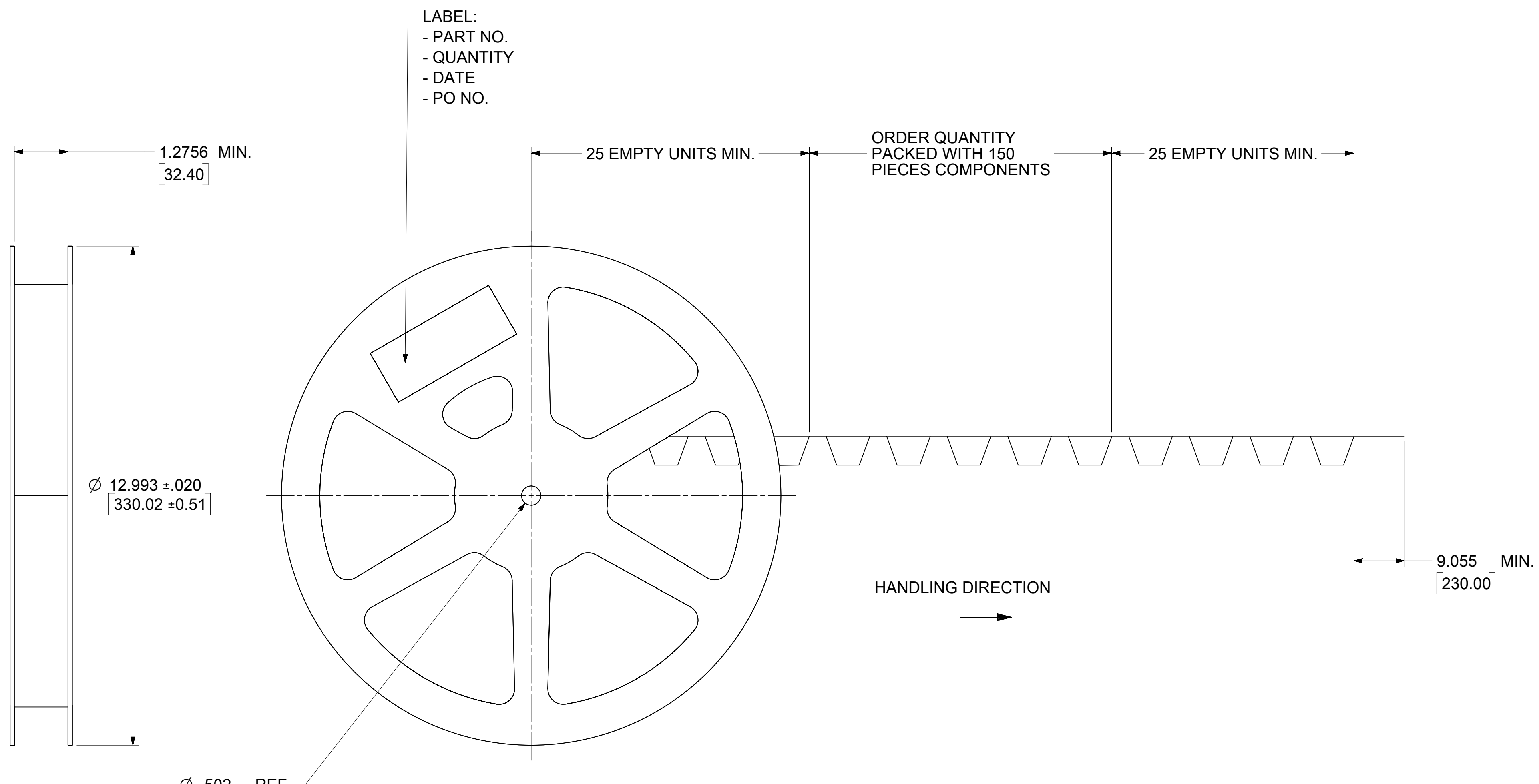
SD-73403-556

PSD 001 A4



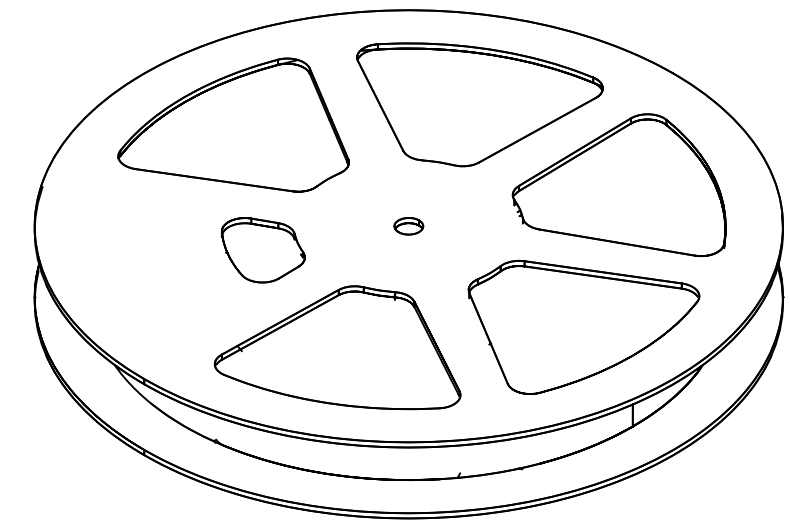
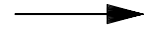
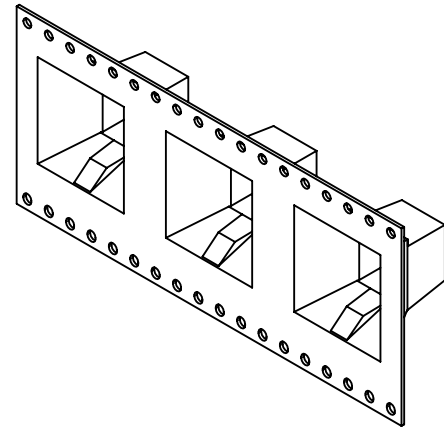
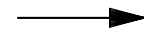
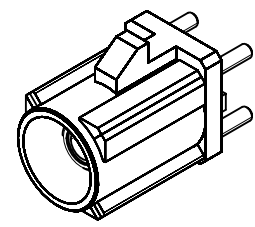
FUNCTIONAL SYMBOLS		THIS DRAWING CONTAINS INFORMATION THAT IS PROPRIETARY TO MOLEX ELECTRONIC TECHNOLOGIES, LLC AND SHOULD NOT BE USED WITHOUT WRITTEN PERMISSION		CURRENT REV DESC:						
DIMENSION UNITS		SCALE		EC NO: 719496						SMB JACK, FAKRA, VERTICAL PCB, 50 OHM SMB-J/PCB, EWR # 14535
= 0		INCH/MM NTS		DRWN: ELIN 2022/08/17		PRODUCT CUSTOMER DRAWING				
= 0		GENERAL TOLERANCES (UNLESS SPECIFIED)		CHK'D: YCHENG 2022/08/30		DOCUMENT NUMBER				
= 0		ANGULAR TOL ± 2.0°		APPR: YCHENG 2022/08/30		SD-73403-556				
DIVISIONAL SYMBOLS		4 PLACES ±		INITIAL REVISION:		DOC TYPE		DOC PART		REVISION
		3 PLACES ±		DRWN: ELIN 2010/01/20		PSD		001		A4
		2 PLACES ±		APPR: MHUANG 2010/01/27		MATERIAL NUMBER		CUSTOMER		SHEET NUMBER
		1 PLACE ±		DRAFT WHERE APPLICABLE MUST REMAIN WITHIN DIMENSIONS		SEE TABLE		GENERAL MARKET		6 OF 8
		0 PLACES ±		THIRD ANGLE PROJECTION		C-SIZE		73403		

DOCUMENT STATUS	P1	RELEASE DATE	2022/08/30	08:30:37
-----------------	----	--------------	------------	----------

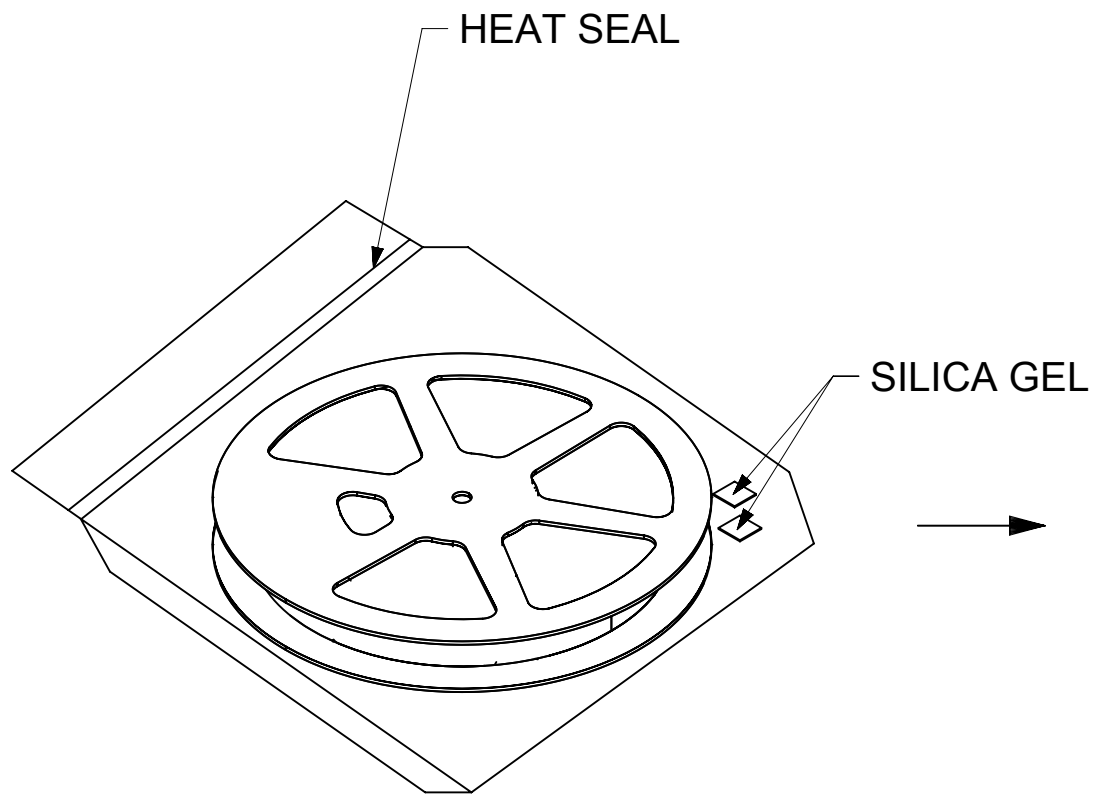


NOTE:
13" REEL SIZE FOR 150 PIECES

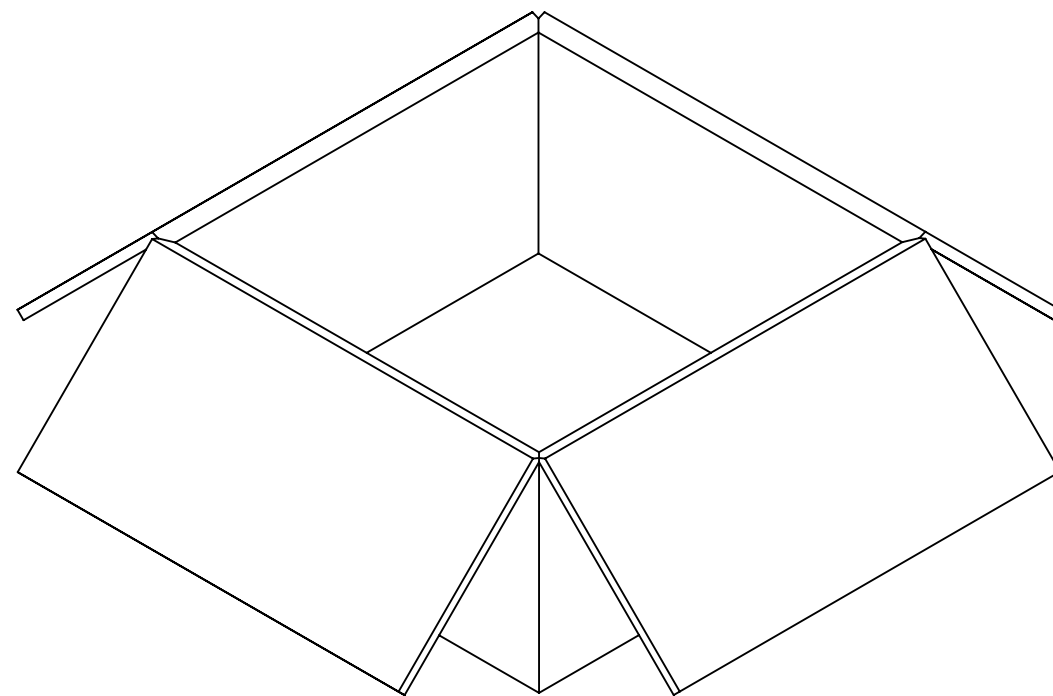
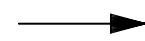
FUNCTIONAL SYMBOLS										THIS DRAWING CONTAINS INFORMATION THAT IS PROPRIETARY TO MOLEX ELECTRONIC TECHNOLOGIES, LLC AND SHOULD NOT BE USED WITHOUT WRITTEN PERMISSION									
DIMENSION UNITS		SCALE		CURRENT REV DESC:															
INCH/MM		NTS		EC NO: 719496 DRWN: ELIN 2022/08/17 CHK'D: YCHENG 2022/08/30 APPR: YCHENG 2022/08/30 INITIAL REVISION: DRWN: ELIN 2010/01/20 APPR: MHUANG 2010/01/27															
GENERAL TOLERANCES (UNLESS SPECIFIED)																			
ANGULAR TOL ± 2.0°																			
DIVISIONAL SYMBOLS		4 PLACES ±		PRODUCT CUSTOMER DRAWING															
		3 PLACES ±		DOCUMENT NUMBER															
		2 PLACES ±		SD-73403-556															
		1 PLACE ±		DOC TYPE DOC PART REVISION															
		0 PLACES ±		PSD 001 A4															
DRAFT WHERE APPLICABLE MUST REMAIN WITHIN DIMENSIONS				THIRD ANGLE PROJECTION		DRAWING		SERIES		MATERIAL NUMBER		CUSTOMER		SHEET NUMBER					
						C-SIZE		73403		SEE TABLE		GENERAL MARKET		7 OF 8					



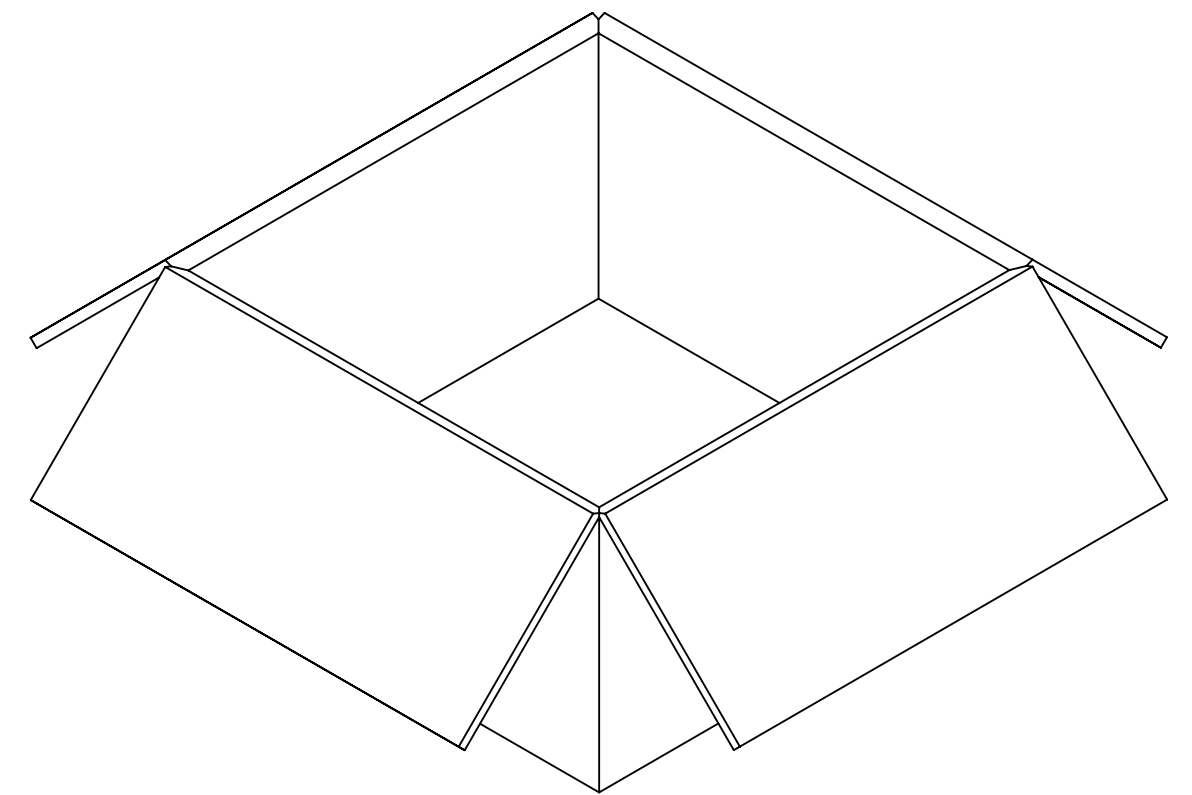
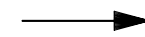
150 SET PER 13" REEL



HDPE BAG



600 SET PER INNER
CARTON BOX



600 SET PER OUTER
CARTON BOX

FUNCTIONAL SYMBOLS	THIS DRAWING CONTAINS INFORMATION THAT IS PROPRIETARY TO MOLEX ELECTRONIC TECHNOLOGIES, LLC AND SHOULD NOT BE USED WITHOUT WRITTEN PERMISSION										
	DIMENSION UNITS	SCALE	CURRENT REV DESC:							molex	
$\frac{F}{A} = 0$	INCH/MM	NTS	EC NO: 719496								
$\frac{E}{C} = 0$	GENERAL TOLERANCES (UNLESS SPECIFIED)		DRWN: ELIN 2022/08/17							SMB-J/PCB, EWR # 14535	
$\frac{E}{P} = 0$	ANGULAR TOL $\pm 2.0^\circ$		CHK'D: YCHENG 2022/08/30							PRODUCT CUSTOMER DRAWING	
DIVISIONAL SYMBOLS	4 PLACES \pm		APPR: YCHENG 2022/08/30							DOCUMENT NUMBER	
	3 PLACES \pm		INITIAL REVISION:							DOC TYPE	
	2 PLACES \pm		DRWN: ELIN 2010/01/20							DOC PART	
	1 PLACE \pm		APPR: MHUANG 2010/01/27							REVISION	
0 PLACES \pm		DRAFT WHERE APPLICABLE MUST REMAIN WITHIN DIMENSIONS		THIRD ANGLE PROJECTION		DRAWING	SERIES	MATERIAL NUMBER	CUSTOMER	SHEET NUMBER	
				C-SIZE	73403	SEE TABLE	GENERAL MARKET	SD-73403-556	PSD 001	A4	

DOCUMENT STATUS	P1	RELEASE DATE	2022/08/30	08:30:37
-----------------	----	--------------	------------	----------