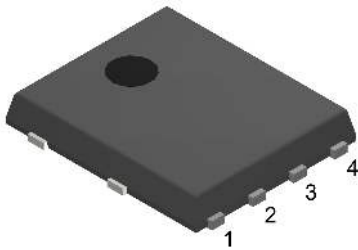
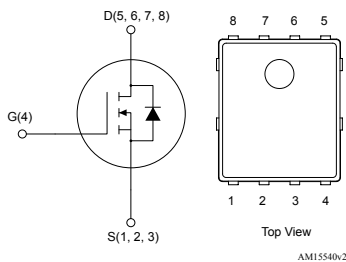


## N-channel 40 V, 0.85 mΩ typ., 120 A STripFET F7 Power MOSFET in a PowerFLAT 5x6 package



PowerFLAT™ 5x6



### Features

Order code	V <sub>DS</sub>	R <sub>DS(on)</sub> max.	I <sub>D</sub>
STL260N4LF7	40 V	1.1 mΩ	120 A

- Among the lowest R<sub>DS(on)</sub> on the market
- Excellent FoM (figure of merit)
- Low C<sub>rss</sub>/C<sub>iss</sub> ratio for EMI immunity
- High avalanche ruggedness

### Applications

- Switching applications

### Description

This N-channel Power MOSFET utilizes STripFET F7 technology with an enhanced trench gate structure that results in very low on-state resistance, while also reducing internal capacitance and gate charge for faster and more efficient switching.



#### Product status link

[STL260N4LF7](#)

#### Product summary

<b>Order code</b>	STL260N4LF7
<b>Marking</b>	260N4LF7
<b>Package</b>	PowerFLAT 5x6
<b>Packing</b>	Tape and reel

# 1 Electrical ratings

**Table 1. Absolute maximum ratings**

Symbol	Parameter	Value	Unit
$V_{DS}$	Drain-source voltage	40	V
$V_{GS}$	Gate-source voltage	20	V
$I_D^{(1)}$	Drain current (continuous) at $T_C = 25\text{ °C}$	120	A
$I_D^{(1)}$	Drain current (continuous) at $T_C = 100\text{ °C}$	120	A
$I_{DM}^{(2)(1)}$	Drain current (pulsed)	480	A
$I_D^{(3)}$	Drain current (continuous) at $T_{pcb} = 25\text{ °C}$	50	A
$I_D^{(3)}$	Drain current (continuous) at $T_{pcb} = 100\text{ °C}$	35	A
$I_{DM}^{(2)(3)}$	Drain current (pulsed)	200	A
$P_{TOT}^{(1)}$	Total power dissipation at $T_C = 25\text{ °C}$	188	W
$P_{TOT}^{(3)}$	Total power dissipation at $T_{pcb} = 25\text{ °C}$	4.8	W
$T_{stg}$	Storage temperature range	-55 to 175	°C
$T_j$	Operating junction temperature range		

1. This value is rated according to  $R_{thj-case}$  and limited by package
2. Pulse width limited by safe operating area
3. This value is rated according to  $R_{thj-pcb}$

**Table 2. Thermal data**

Symbol	Parameter	Value	Unit
$R_{thj-case}$	Thermal resistance junction-case	0.8	°C/W
$R_{thj-pcb}^{(1)}$	Thermal resistance junction-pcb	31.3	°C/W

1. When mounted on FR-4 board of 1 inch<sup>2</sup>, 2 oz Cu

## 2 Electrical characteristics

$T_C = 25\text{ °C}$  unless otherwise specified

**Table 3. On/off-state**

Symbol	Parameter	Test conditions	Min.	Typ.	Max.	Unit
$V_{(BR)DSS}$	Drain-source breakdown voltage	$V_{GS} = 0\text{ V}, I_D = 250\text{ }\mu\text{A}$	40			V
$I_{DSS}$	Zero gate voltage drain current	$V_{GS} = 0\text{ V}, V_{DS} = 40\text{ V}$			1	$\mu\text{A}$
$I_{GSS}$	Gate body leakage current	$V_{DS} = 0\text{ V}, V_{GS} = 20\text{ V}$			100	nA
$V_{GS(th)}$	Gate threshold voltage	$V_{DS} = V_{GS}, I_D = 250\text{ }\mu\text{A}$	1.2		2.5	V
$R_{DS(on)}$	Static drain-source on-resistance	$V_{GS} = 10\text{ V}, I_D = 25\text{ A}$		0.85	1.1	m $\Omega$
		$V_{GS} = 4.5\text{ V}, I_D = 25\text{ A}$		1.2	1.4	m $\Omega$

**Table 4. Dynamic**

Symbol	Parameter	Test conditions	Min.	Typ.	Max.	Unit
$C_{iss}$	Input capacitance	$V_{DS} = 25\text{ V}, f = 1\text{ MHz}, V_{GS} = 0\text{ V}$	-	6000	-	pF
$C_{oss}$	Output capacitance		-	1700	-	pF
$C_{riss}$	Reverse transfer capacitance		-	170	-	pF
$Q_g$	Total gate charge	$V_{DD} = 20\text{ V}, I_D = 50\text{ A}, V_{GS} = 0\text{ to }4.5\text{ V}$ (see Figure 14. Test circuit for gate charge behavior)	-	42	-	nC
$Q_{gs}$	Gate-source charge		-	16	-	nC
$Q_{gd}$	Gate-drain charge		-	14	-	nC

**Table 5. Switching times**

Symbol	Parameter	Test conditions	Min.	Typ.	Max.	Unit
$t_{d(on)}$	Turn-on delay time	$V_{DD} = 20\text{ V}, I_D = 25\text{ A}, R_G = 4.7\text{ }\Omega, V_{GS} = 10\text{ V}$ (see Figure 13. Test circuit for resistive load switching times and Figure 18. Switching time waveform)	-	21	-	ns
$t_r$	Rise time		-	14	-	ns
$t_{d(off)}$	Turn-off delay time		-	74	-	ns
$t_f$	Fall time		-	23	-	ns

**Table 6. Source-drain diode**

Symbol	Parameter	Test conditions	Min.	Typ.	Max.	Unit
$V_{SD}^{(1)}$	Forward on voltage	$I_{SD} = 50\text{ A}$ , $V_{GS} = 0\text{ V}$	-		1	V
$t_{rr}$	Reverse recovery time	(see Figure 15. Test circuit for inductive load switching and diode recovery times) $I_D = 50\text{ A}$ , $di/dt = 100\text{ A}/\mu\text{s}$ , $V_{DD} = 32\text{ V}$ ,	-	71		ns
$Q_{rr}$	Reverse recovery charge		-	100		nC
$I_{RRM}$	Reverse recovery current		-	2.8		A

1. Pulsed: pulse duration = 300  $\mu\text{s}$ , duty cycle 1.5%

## 2.1 Electrical characteristics (curves)

Figure 1. Safe operating area

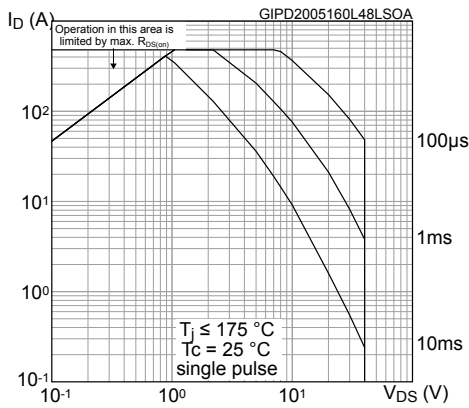


Figure 2. Thermal impedance

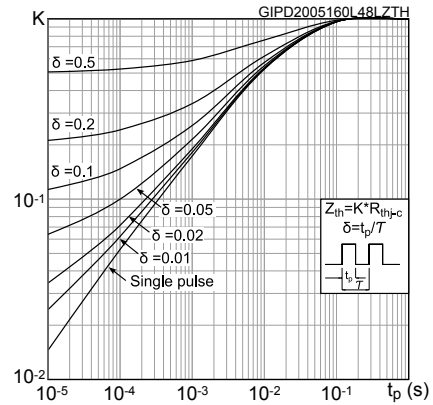


Figure 3. Output characteristics

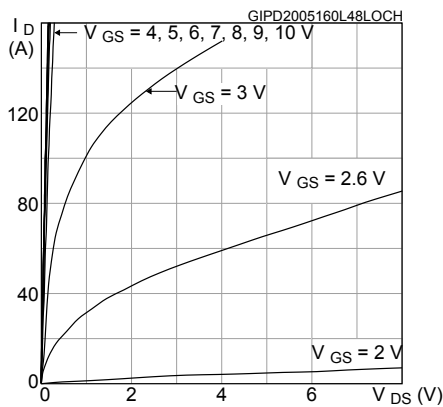


Figure 4. Transfer characteristics

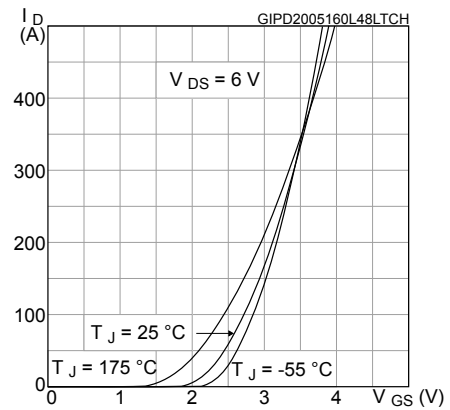


Figure 5. Gate charge vs gate-source voltage

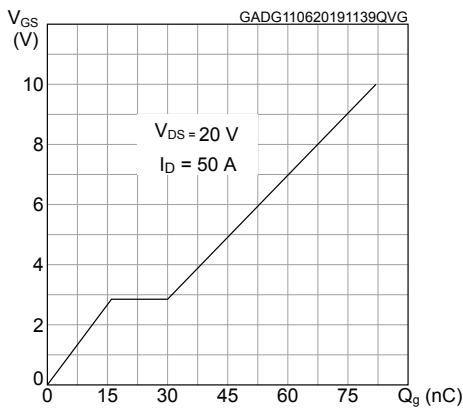


Figure 6. Static drain-source on-resistance

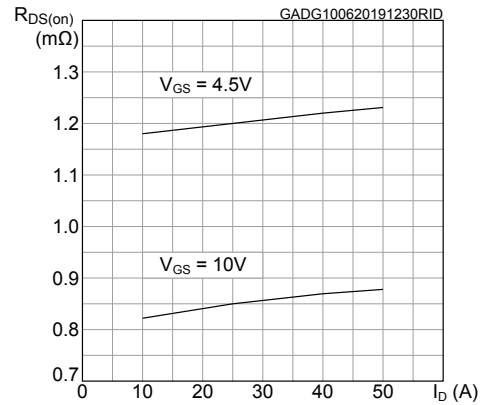


Figure 7. Capacitance variations

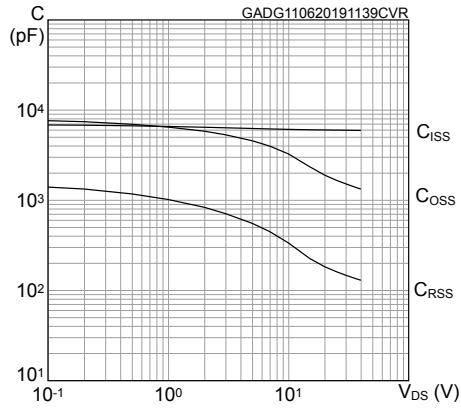


Figure 8. Normalized on-resistance vs temperature

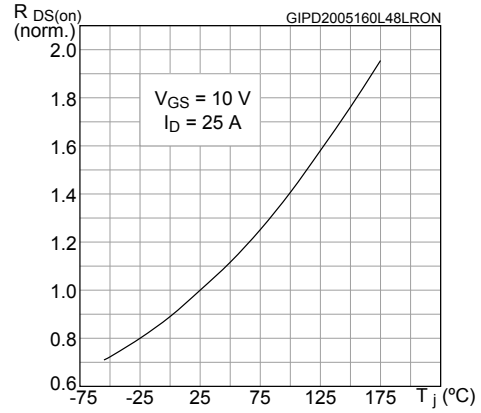


Figure 9. Normalized  $V_{(BR)DSS}$  vs temperature

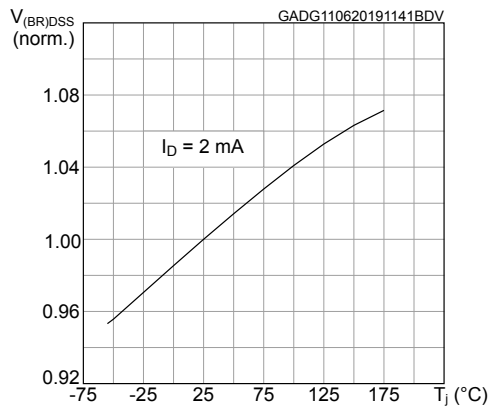


Figure 10. Normalized gate threshold voltage vs temperature

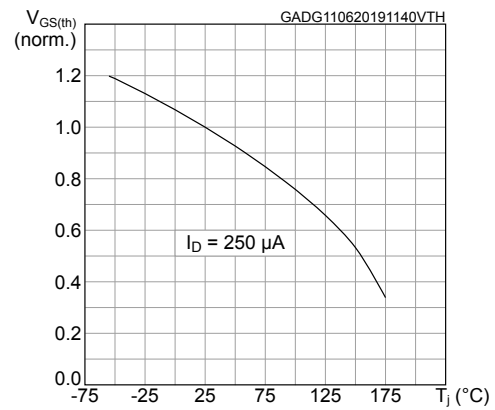
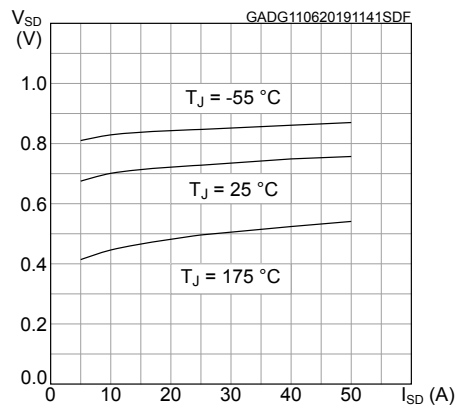
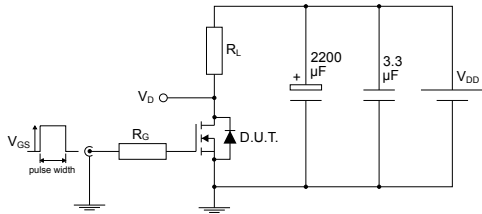


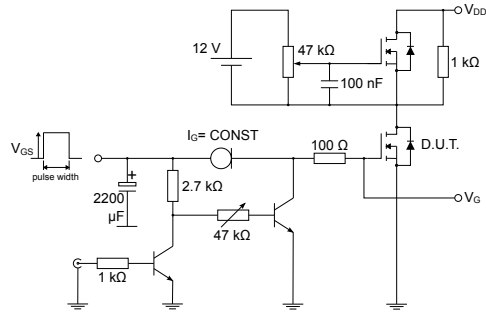
Figure 11. Source-drain diode forward characteristics



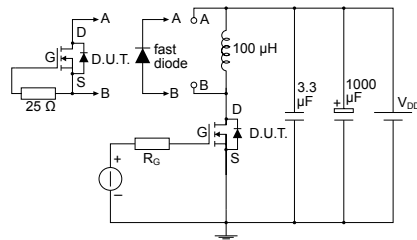
### 3 Test circuits

**Figure 12. Test circuit for resistive load switching times**


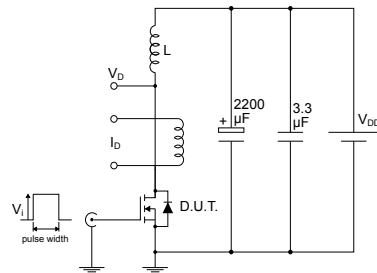
AM01468v1

**Figure 13. Test circuit for gate charge behavior**


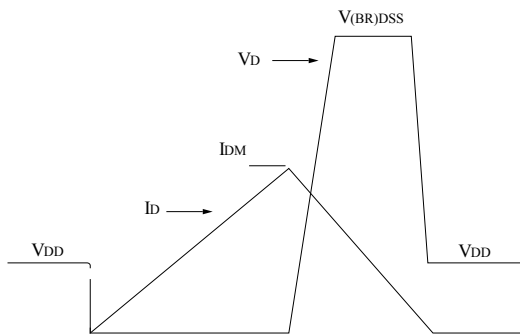
AM01469v1

**Figure 14. Test circuit for inductive load switching and diode recovery times**


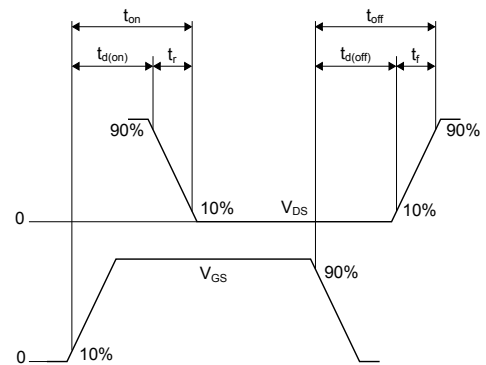
AM01470v1

**Figure 15. Unclamped inductive load test circuit**


AM01471v1

**Figure 16. Unclamped inductive waveform**


AM01472v1

**Figure 17. Switching time waveform**


AM01473v1

## 4 Package information

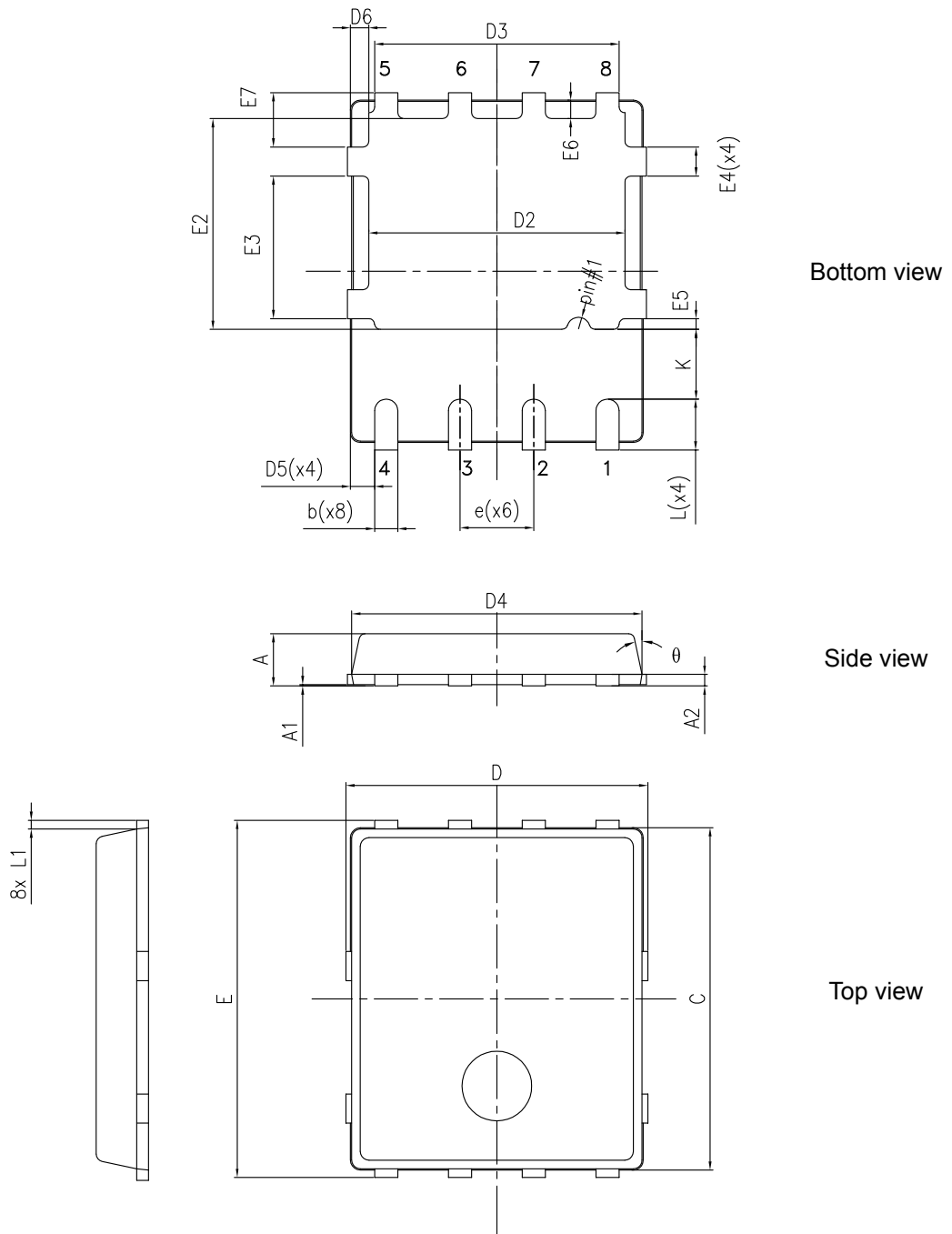
---

In order to meet environmental requirements, ST offers these devices in different grades of **ECOPACK** packages, depending on their level of environmental compliance. ECOPACK specifications, grade definitions and product status are available at: [www.st.com](http://www.st.com). ECOPACK is an ST trademark.



### 4.1 PowerFLAT™ 5x6 type C package information

Figure 18. PowerFLAT™ 5x6 type C package outline

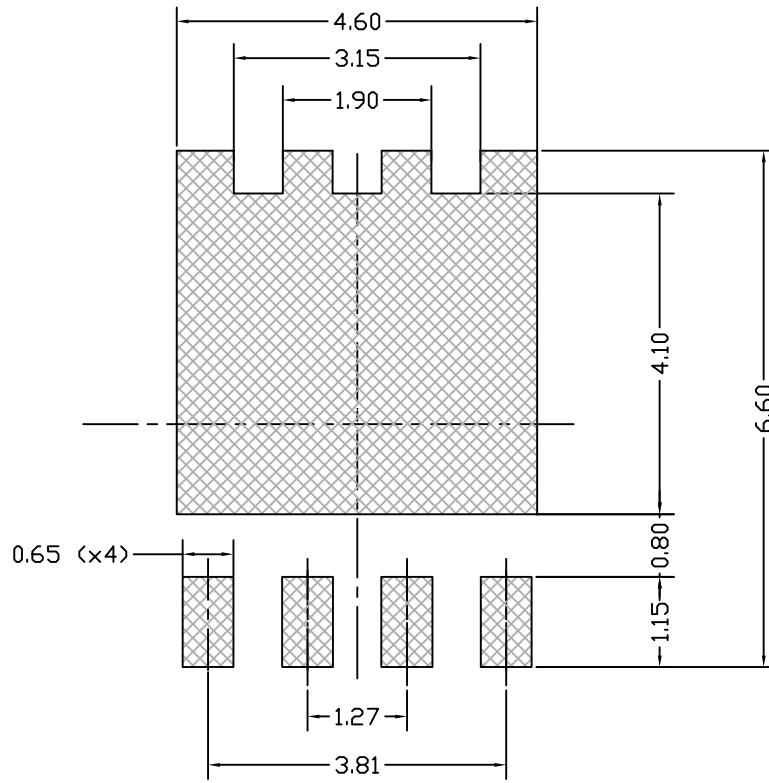


8231817\_typeC\_Rev18

**Table 7. PowerFLAT™ 5x6 type C package mechanical data**

Dim.	mm		
	Min.	Typ.	Max.
A	0.80		1.00
A1	0.02		0.05
A2		0.25	
b	0.30		0.50
C	5.80	6.00	6.20
D	5.00	5.20	5.40
D2	4.15		4.45
D3	4.05	4.20	4.35
D4	4.80	5.00	5.20
D5	0.25	0.40	0.55
D6	0.15	0.30	0.45
e		1.27	
E	5.95	6.15	6.35
E2	3.50		3.70
E3	2.35		2.55
E4	0.40		0.60
E5	0.08		0.28
E6	0.20	0.325	0.45
E7	0.75	0.90	1.05
K	1.05		1.35
L	0.725		1.025
L1	0.05	0.15	0.25
θ	0°		12°

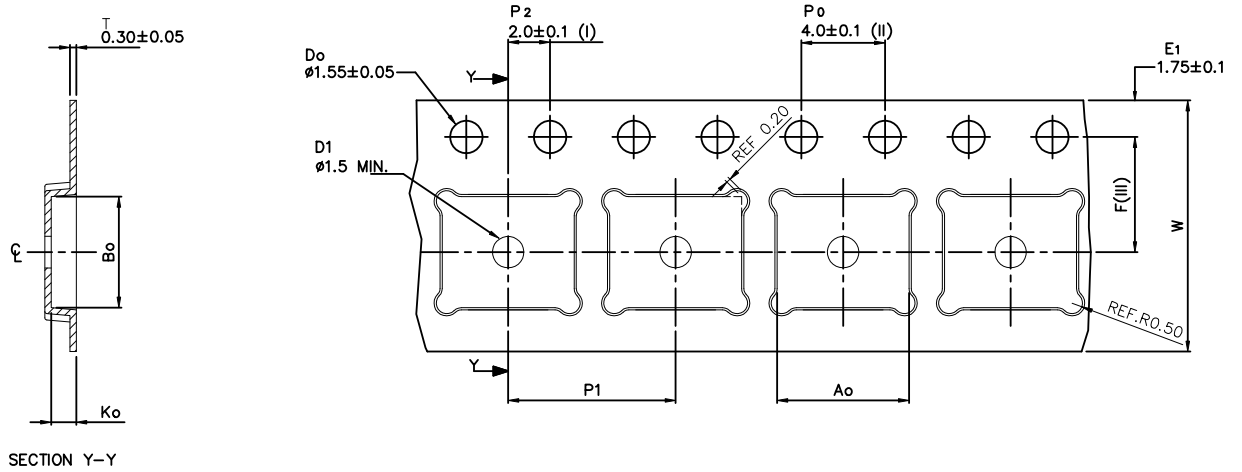
Figure 19. PowerFLAT™ 5x6 recommended footprint (dimensions are in mm)



8231817\_FOOTPRINT\_simp\_Rev\_18

## 4.2 PowerFLAT 5x6 packing information

Figure 20. PowerFLAT 5x6 tape (dimensions are in mm)



Ao	6.30 +/- 0.1
Bo	5.30 +/- 0.1
Ko	1.20 +/- 0.1
F	5.50 +/- 0.1
P1	8.00 +/- 0.1
W	12.00 +/- 0.3

(I) Measured from centreline of sprocket hole to centreline of pocket.

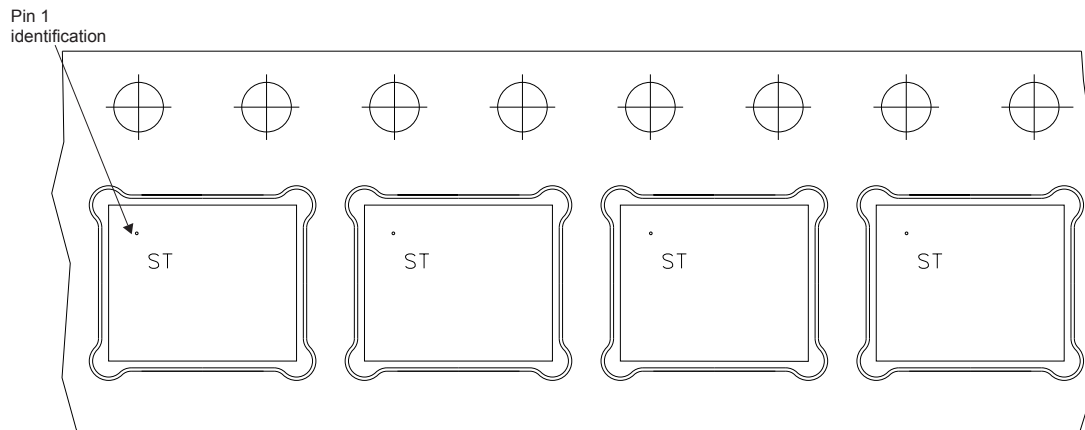
(II) Cumulative tolerance of 10 sprocket holes is  $\pm 0.20$ .

(III) Measured from centreline of sprocket hole to centreline of pocket

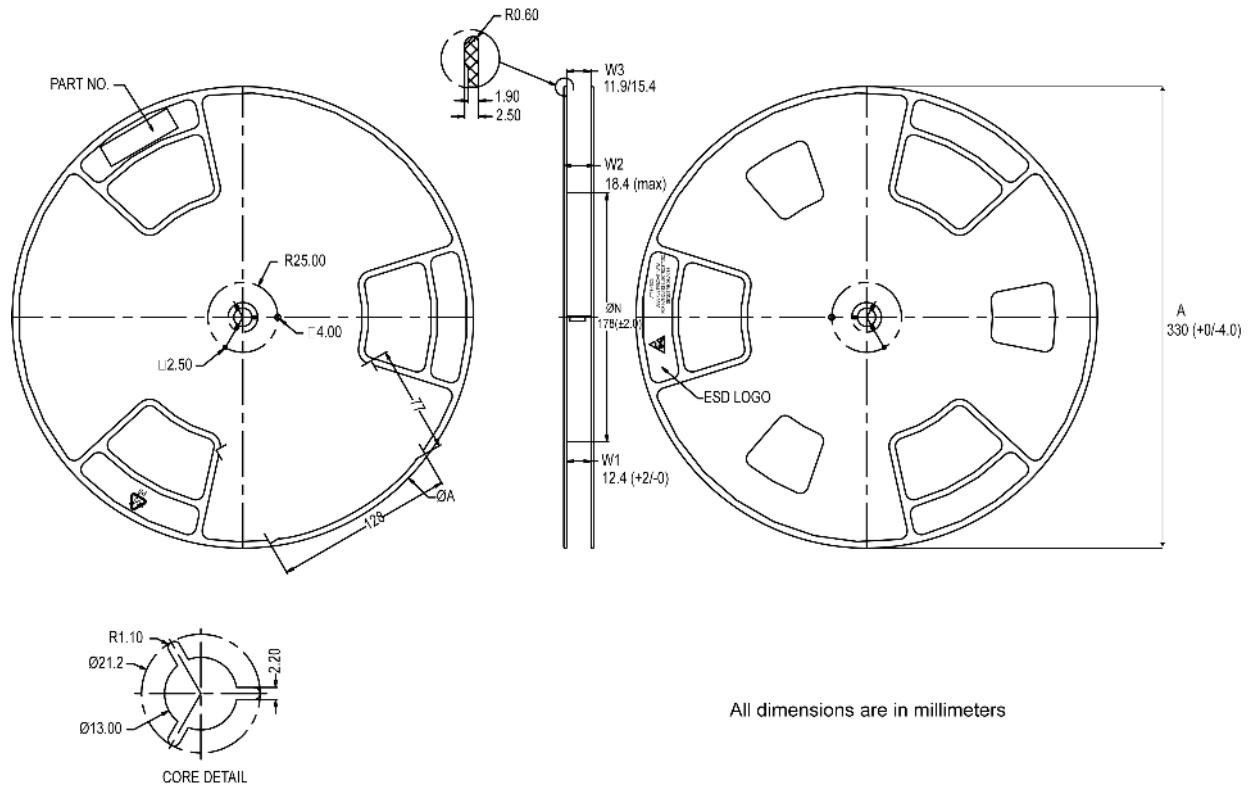
Base and bulk quantity 3000 pcs  
All dimensions are in millimeters

8234350\_Tape\_rev\_C

Figure 21. PowerFLAT 5x6 package orientation in carrier tape



**Figure 22. PowerFLAT 5x6 reel**



8234350\_Reel\_rev\_C

## Revision history

**Table 8. Document revision history**

Date	Revision	Changes
25-Aug-2015	1	First release.
01-Oct-2015	2	Updated section electrical characteristics. Minor text changes.
08-Feb-2016	3	Updated title. Updated <i>Table 2: "Absolute maximum ratings"</i> , <i>Table 5: "Dynamic"</i> and <i>Table 6: "Switching times"</i> . Minor text changes.
13-May-2016	4	Modified: <i>Table 4: "On/off-state"</i> , <i>Table 5: "Dynamic"</i> , <i>Table 6: "Switching times"</i> and <i>Table 7: "Source-drain diode"</i> Updated <i>Section 4: "Package information"</i> Added: <i>Section 2.1: "Electrical characteristics (curves)"</i> Minor text changes
04-Jul-2019	5	Removed maturity status indication from cover page. The document status is production data. Updated <a href="#">Section 1 Electrical ratings</a> , <a href="#">Section 2 Electrical characteristics</a> and <a href="#">Section 2.1 Electrical characteristics (curves)</a> . Minor text changes

**IMPORTANT NOTICE – PLEASE READ CAREFULLY**

STMicroelectronics NV and its subsidiaries (“ST”) reserve the right to make changes, corrections, enhancements, modifications, and improvements to ST products and/or to this document at any time without notice. Purchasers should obtain the latest relevant information on ST products before placing orders. ST products are sold pursuant to ST’s terms and conditions of sale in place at the time of order acknowledgement.

Purchasers are solely responsible for the choice, selection, and use of ST products and ST assumes no liability for application assistance or the design of Purchasers’ products.

No license, express or implied, to any intellectual property right is granted by ST herein.

Resale of ST products with provisions different from the information set forth herein shall void any warranty granted by ST for such product.

ST and the ST logo are trademarks of ST. For additional information about ST trademarks, please refer to [www.st.com/trademarks](http://www.st.com/trademarks). All other product or service names are the property of their respective owners.

Information in this document supersedes and replaces information previously supplied in any prior versions of this document.

© 2019 STMicroelectronics – All rights reserved