

5-160526-9 ✓ ACTIVE

FASTIN-FASTON | FASTIN-FASTON 250

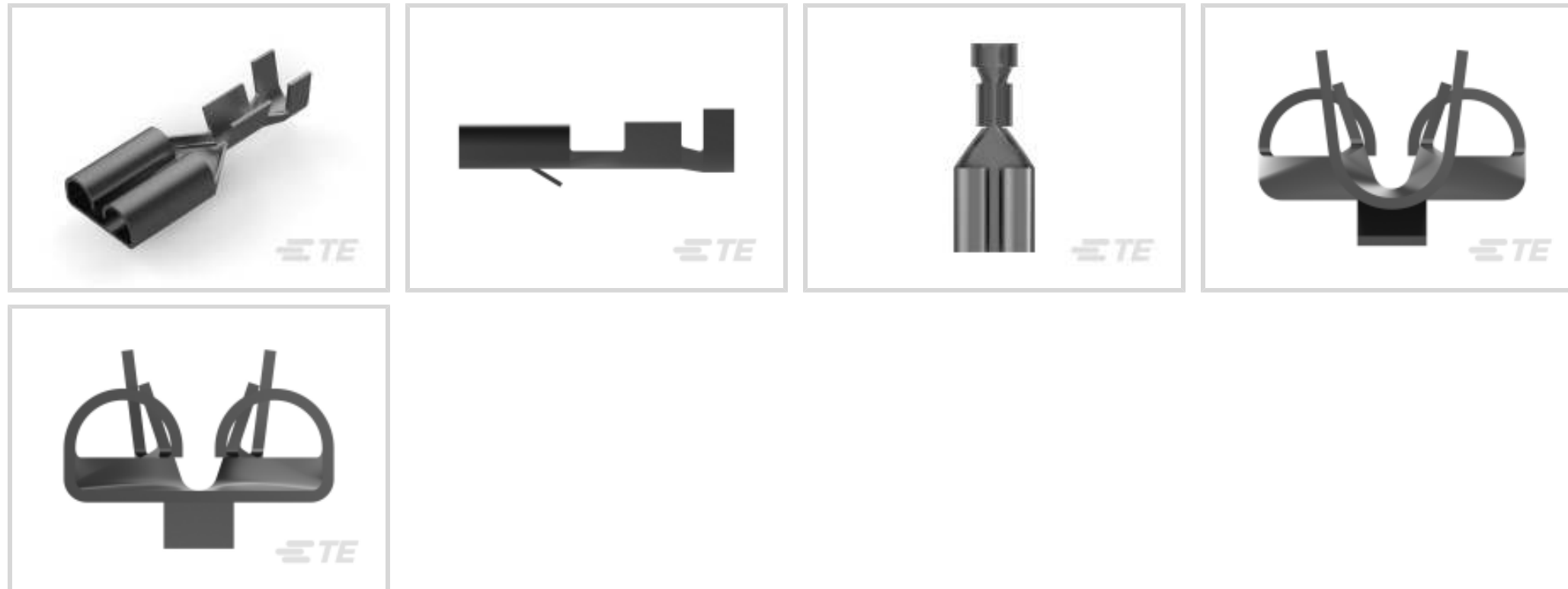
TE Internal #: 5-160526-9

Quick Disconnects, Receptacle, 20 – 15 AWG Wire Size, .51 – 1.65 mm² Wire Size, Mating Tab Width 6.35 mm [.25 in], Straight, FASTIN-FASTON 250

[View on TE.com >](#)



Terminals & Splices > Quick Disconnects



Quick Disconnect Terminal Type: **Receptacle**

Wire Size: .51 – 1.65 mm²

Mating Tab Width: 6.35 mm [.25 in]

Mating Tab Thickness: .81 mm [.032 in]

Features

Product Type Features

| | |
|-----------------|--------|
| Insertion Force | Normal |
|-----------------|--------|

Configuration Features

| | |
|---------------------|--------|
| Connection Capacity | Single |
|---------------------|--------|

| | |
|-----------------------------------|---------------|
| Compatible With Wire & Cable Type | Discrete Wire |
|-----------------------------------|---------------|

Contact Features

| | |
|--------------------------------|------------|
| Quick Disconnect Terminal Type | Receptacle |
|--------------------------------|------------|

| | |
|------------------|------------------|
| Mating Tab Width | 6.35 mm [.25 in] |
|------------------|------------------|

| | |
|----------------------|------------------|
| Mating Tab Thickness | .81 mm [.032 in] |
|----------------------|------------------|

| | |
|----------------------|----------|
| Terminal Orientation | Straight |
|----------------------|----------|

| | |
|-----------------------|-----------------|
| Contact Base Material | Phosphor Bronze |
|-----------------------|-----------------|

| | |
|---------------------------|-----|
| Terminal Plating Material | Tin |
|---------------------------|-----|

| | |
|------------|---------|
| Crimp Type | F-Crimp |
|------------|---------|

| | |
|-------------|------|
| Barrel Type | Open |
|-------------|------|

Termination Features



| | |
|-----------------------|--------------|
| Product Terminates To | Wire & Cable |
|-----------------------|--------------|

Mechanical Attachment

| | |
|----------------------|--------|
| Locking Lance Height | .32 mm |
|----------------------|--------|

| | |
|-------------------------|------|
| Wire Insulation Support | With |
|-------------------------|------|

| | |
|-----------------------|---------------|
| Mating Retention Type | Locking Lance |
|-----------------------|---------------|

Dimensions

| | |
|-----------------------------|-----------------|
| Terminal Material Thickness | .33 mm[.013 in] |
|-----------------------------|-----------------|

| | |
|----------------|------------------|
| Product Length | 19.2 mm[.755 in] |
|----------------|------------------|

| | |
|--------------------------------------|------------------------------|
| Compatible Insulation Diameter Range | 2.31 – 3.3 mm[.091 – .13 in] |
|--------------------------------------|------------------------------|

| | |
|-----------|----------------------------|
| Wire Size | .51 – 1.65 mm ² |
|-----------|----------------------------|

Usage Conditions

| | |
|-------------------|-------------|
| Insulation Option | Uninsulated |
|-------------------|-------------|

| | |
|-----------------------------|----------------------------|
| Operating Temperature Range | -40 – 110 °C[-40 – 230 °F] |
|-----------------------------|----------------------------|

Packaging Features

| | |
|--------------------|------|
| Packaging Quantity | 5000 |
|--------------------|------|

| | |
|------------------|------------|
| Packaging Method | Strip/Reel |
|------------------|------------|

Other

| | |
|-----------------------------|--|
| Terminals & Splices Comment | "According to DIN 46340, Part 3", Chamfered, Without Dimple |
|-----------------------------|--|

Product Compliance

[For compliance documentation, visit the product page on TE.com>](#)

| | |
|------------------------------|-----------|
| EU RoHS Directive 2011/65/EU | Compliant |
|------------------------------|-----------|

| | |
|-----------------------------|-----------|
| EU ELV Directive 2000/53/EC | Compliant |
|-----------------------------|-----------|

| | |
|---|---|
| China RoHS 2 Directive MIIT Order No 32, 2016 | No Restricted Materials Above Threshold |
|---|---|

| | |
|--|--|
| EU REACH Regulation (EC) No. 1907/2006 | Current ECHA Candidate List: JUNE 2023 (235) Candidate List Declared Against: JUL 2021 (219) Does not contain REACH SVHC |
|--|--|

| | |
|-----------------|---|
| Halogen Content | Low Halogen - Br, Cl, F, I < 900 ppm per homogenous material. Also BFR/CFR/PVC Free |
|-----------------|---|

| | |
|---------------------------|--|
| Solder Process Capability | Not applicable for solder process capability |
|---------------------------|--|

Product Compliance Disclaimer

This information is provided based on reasonable inquiry of our suppliers and represents our current actual knowledge based on the information they provided. This information is subject to change. The part numbers that TE has identified as EU RoHS compliant have a maximum concentration of 0.1% by weight in homogenous materials for lead, hexavalent chromium, mercury, PBB, PBDE, DBP, BBP, DEHP, DIBP, and 0.01% for cadmium, or qualify for an exemption to these limits as defined in the Annexes of Directive 2011/65/EU (RoHS2). Finished electrical and electronic equipment products will be CE marked as required by Directive 2011/65/EU. Components may not be CE marked. Additionally, the part numbers that TE has identified as EU ELV compliant have a maximum concentration of 0.1% by weight in homogenous materials for lead, hexavalent chromium, and mercury, and 0.01% for cadmium, or qualify for an exemption to these limits as defined in the Annexes of Directive 2000/53/EC (ELV). Regarding the REACH Regulation, the information TE provides on SVHC in articles for this part number is based on the latest European Chemicals Agency (ECHA) 'Guidance on requirements for substances in articles' posted at this URL: <https://echa.europa.eu/guidance-documents/guidance-on-reach>

Compatible Parts



TE Part # 1-1579007-4
EXTRACTION TOOL



TE Part # 4-1579007-3
EXTRACTION TOOL KIT



TE Part # 1-1904045-2
V23333Z1001A008-EV-100



TE Part # 2-2150334-1
OCEAN_2.0_Applicator-S-090F130F



TE Part # 2-2150334-2
OCEAN_2.0_Applicator-S-090F130F



TE Part # 2-4150121-2
OCEAN-2.0-APPLICATOR-E-090F120OV



TE Part # 2150334-1
OCEAN_2.0_Applicator-S-090F130F



TE Part # 2150334-2
OCEAN_2.0_Applicator-S-090F130F



CRIMPER REPRESENTATION ONLY

TE Part # 7-1633964-2
CRIMPER, INSULATION OV PREMIUM



TE Part # 7-2150334-1
OCEAN_2.0_Applicator-S-090F130F




TE Part # 7-2150334-2
OCEAN_2.0_Applicator-S-090F130F




KIT REPRESENTATION ONLY

TE Part # 7-2150334-7
OCEAN_2.0_SPARE_PART_KIT-090F130F



TE Part # 7-4150121-2
OCEAN-2.0-APPLICATOR-E-090F120OV



KIT REPRESENTATION ONLY

TE Part # 7-4150121-7
OCEAN_2.0_SPARE_PART_KIT-090F130OV



TE Part # 4150121-2
OCEAN-2.0-APPLICATOR-E-090F120OV

Also in the Series | FASTIN-FASTON 250



Crimp Terminal Housings(211)



Insertion & Extraction Tools(2)



PCB Terminals(2)



Quick Disconnects(254)

Customers Also Bought



TE Part #5-160446-5
FF 250 REC 1.0-2.5MM2 TBBR



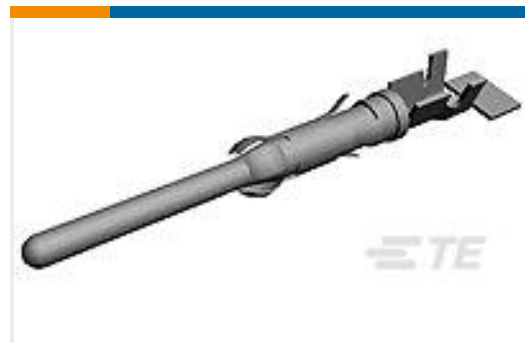
TE Part #2-480706-0
09P UMNL PLUG HSG NATL



TE Part #FC2331-0000-2000-L
FC23 AMPLIFIED 2FT CABLE 2000L



TE Part #2-1904058-7
V23700F0002A408-EV-CBOX



TE Part #926980-1
CI 2 STIFT



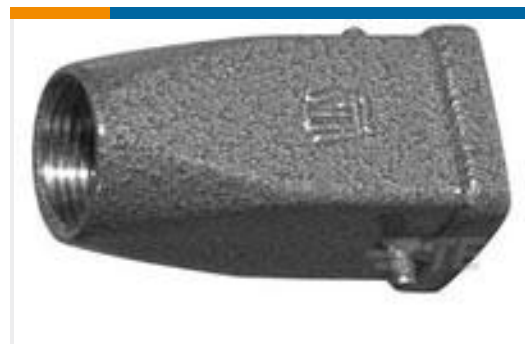
TE Part #1SNK506030R0000
ZS6-OR



TE Part #1SNK906304R0000
JB6-4



TE Part #ASL206-05PN-HE930U
RECEPT.ASSY.PCB. 2 HOLE MNT.
MICRO MK3 SH



TE Part #2-1102101-7
HA-K.3.STO.1.11.Z

Documents

Product Drawings

FF 250 REC 0.5-1.5MM2 TPPB

English

CAD Files

3D PDF

3D



Customer View Model

[ENG_CVM_CVM_5-160526-9_AR.2d_dxf.zip](#)

English

Customer View Model

[ENG_CVM_CVM_5-160526-9_AR.3d_igs.zip](#)

English

Customer View Model

[ENG_CVM_CVM_5-160526-9_AR.3d_stp.zip](#)

English

By downloading the CAD file I accept and agree to the [Terms and Conditions](#) of use.

Product Specifications

[EB**General Application Specification for Open Barrel Terminals](#)

English

[Application Specification](#)

English

Product Environmental Compliance

[Product Compliance](#)

English

[Product Compliance](#)

English