

PRODUCT DATA DRAWING

CAD GENERATED DRAWING	DCN CONTROLLED DOCUMENT	DWG. NO. 1285-6004
-----------------------	-------------------------	-----------------------

MATERIAL :

BODY: STAINLESS STEEL PER AMS-5640
 CONTACT: BERYLLIUM COPPER PER ASTM B196
 INSULATOR: TEFLON PER ASTM D1710

FINISH :

BODY & CONTACT: GOLD PER ASTM B488 OVER NICKEL PER AMS-QQ-N-290

PERFORMANCE :

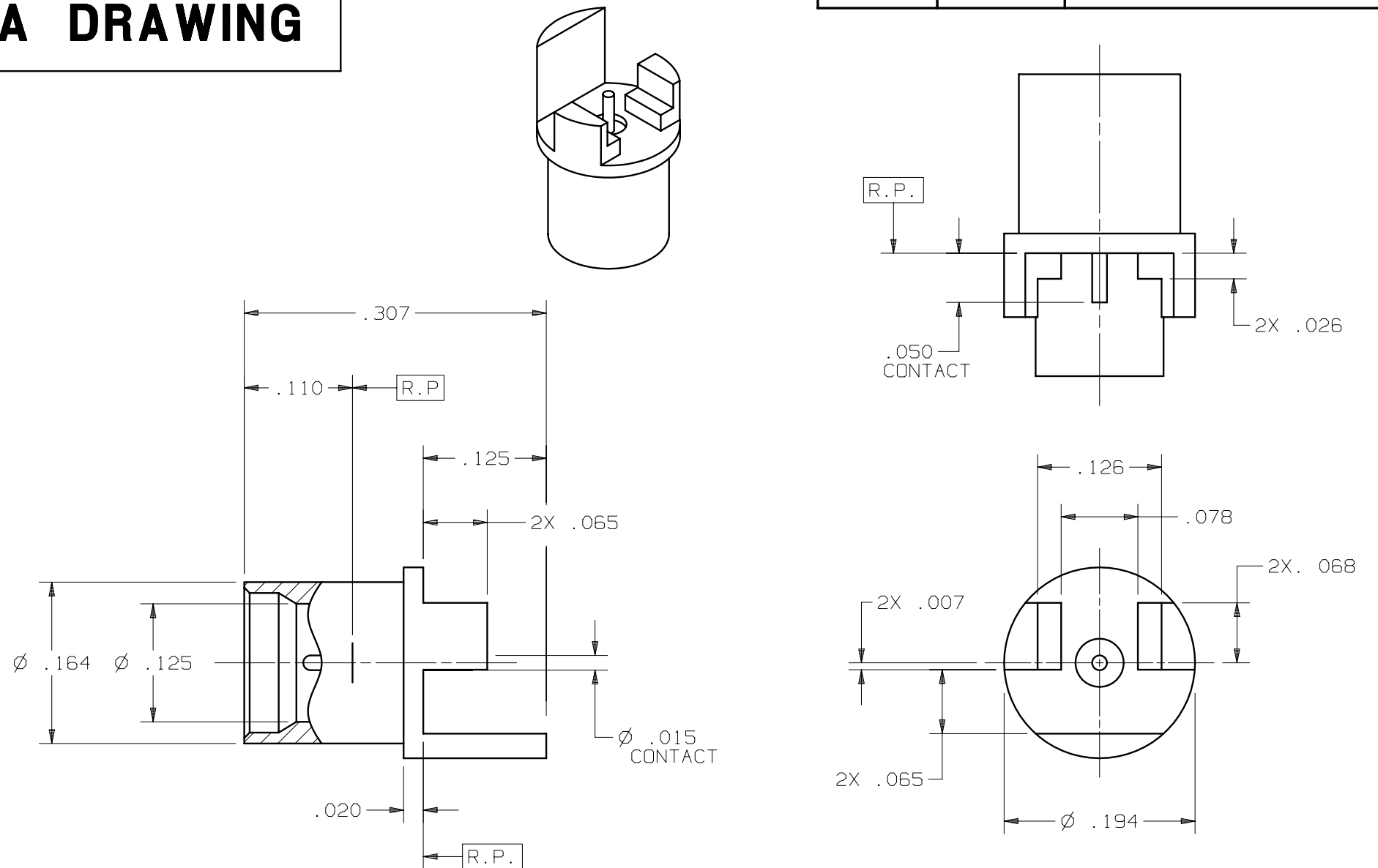
IMPEDANCE: 50 OHMS
 FREQ. RANGE: DC-18.0 GHz
 R.F. INSERTION LOSS: 0.1dB MAX TO 18.0 GHz
 VSWR: 1.15:1 MAX. TO 18.0 GHz

GENERAL :

SMP MALE INTERFACE DIMENSIONS PER MIL-STD-348

NOTES:

- FOR A FOOTPRINT RECOMMENDATION SPECIFIC TO YOUR PCB, PLEASE CONTACT US AT applications@svmicro.com



RECOMMENDED PCB MOUNT

SYM.	DESCRIPTION	DATE	APPR.	UNLESS OTHERWISE SPECIFIED: 1) ALL DIMENSIONS ARE AFTER PLATING. 2) BREAK CORNERS & EDGES .005 R. MAX. 3) CHAM. 1s1 & LAST THDS. 4) SURFACE ROUGHNESS 63 / MIL-STD-10. 5) DIAS. ON COMMON CENTERS TO BE CONCENTRIC WITHIN .005 T.I.R. 6) REMOVE ALL BURRS.	DIMENSIONS ARE IN INCHES TOLERANCES:			SV Microwave, Inc. 2400 Centrepark West Drive, Suite 100 West Palm Beach, FL 33409 TITLE: SMP MALE STRAIGHT PCB EDGE MOUNT (SMOOTH BORE) DWG. NO. 1285-6004	
	-	REL.DCN 31992	08/04		BRT	DECIMALS	FRACTIONAL		ANGULAR
						.X N/A			X° ±1'0"
						.XX N/A	±1/64		X°X' ±15"
					MATERIAL: SEE ABOVE	□" AREA: N/A			
				DRAWN: BRT 08/24/04	FINISH: SEE ABOVE				
				CHECKED: BRT 08/24/04	SIZE B	CAGE NO. 95077	SCALE 7X		
				APPROVED: BRT 08/24/04					