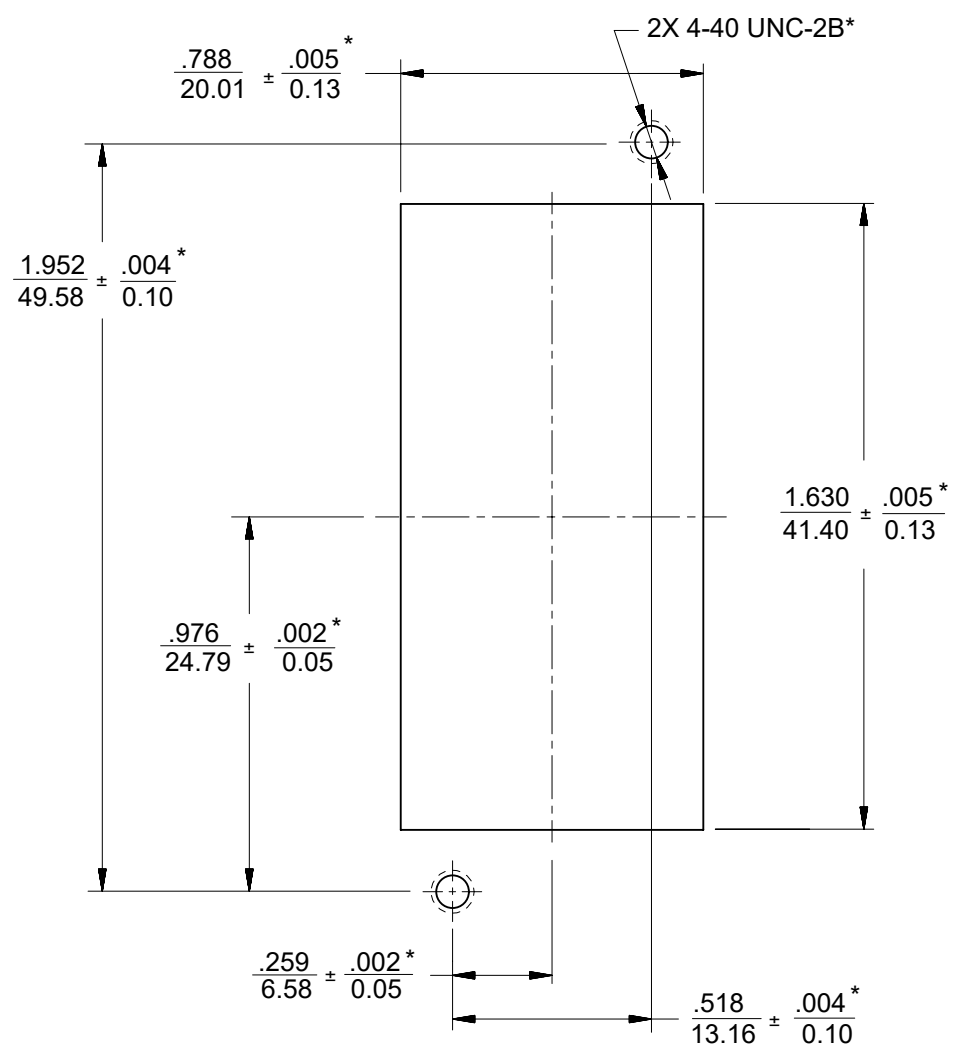
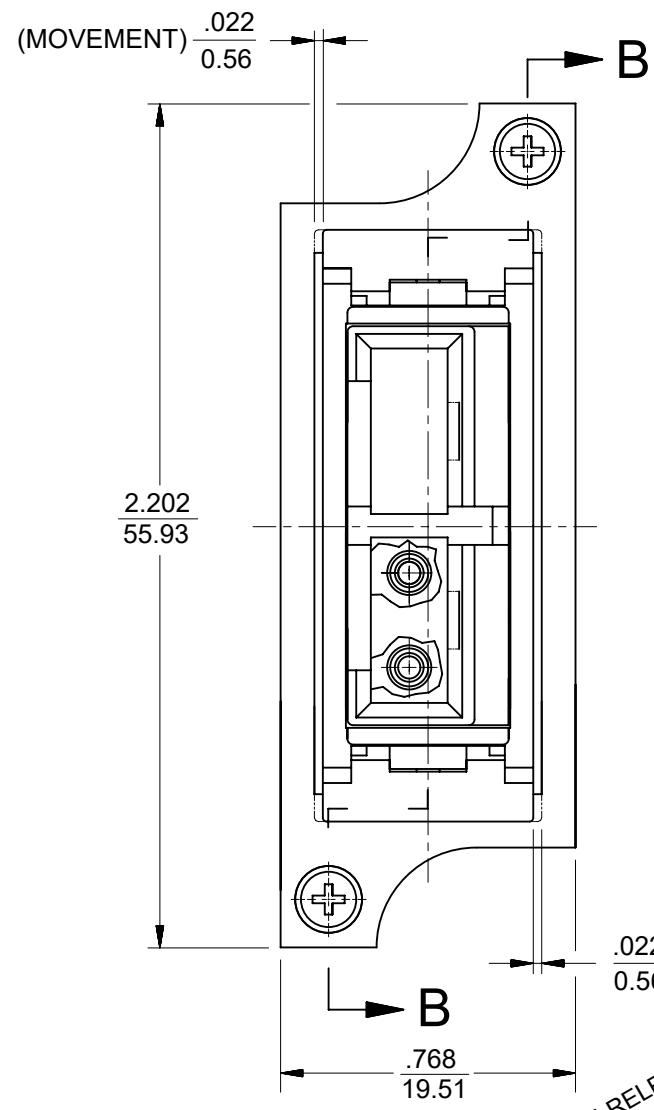
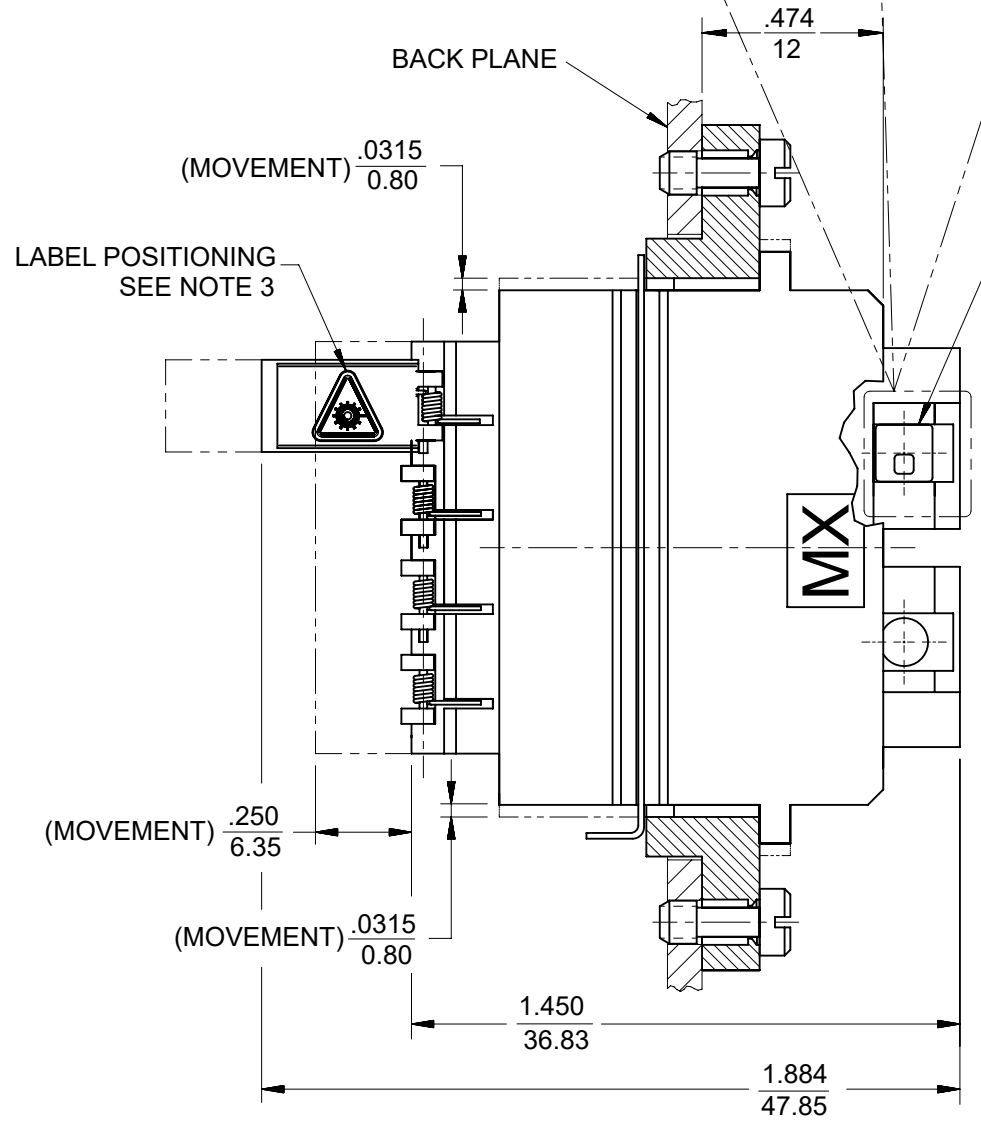
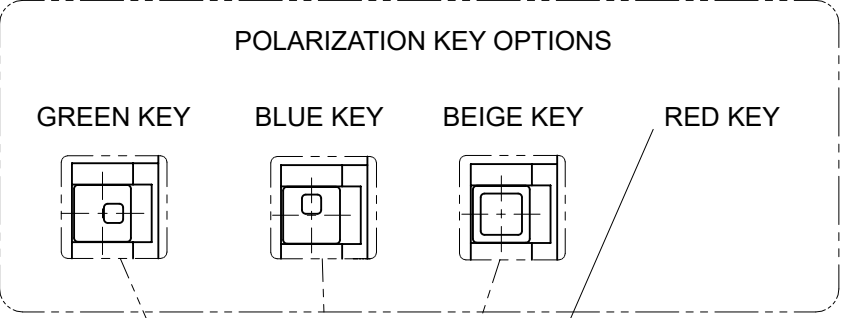


BLC ADAPTER P/N	SPLIT SLEEVE MATERIAL	COLOR
106144-0100	Ph. Bronze	BLACK
106144-1100	Zr	



VIEW A
RECOMMENDED MOUNTING HOLES

PRE-RELEASE
REFERENCE
USE ONLY

- NOTES:
1. ALL DIM. ARE FOR REFERENCE ONLY, EXCEPT WHEN MARKED WITH (*).
 2. POLARIZATION KEYS AND LABELS ARE PACKED UNASSEMBLED WITH ADAPTER ASSEMBLY IN POLY BAG.
 3. ADHESIVE LABELS TO BE POSITIONED ON LC DOORS BY USER. THE ORIENTATION OF THE LABELS SHOULD BE SUCH THAT THE LASER WARNING SYMBOL IS EASILY IDENTIFIED.

THIS DRAWING CONTAINS INFORMATION THAT IS PROPRIETARY TO MOLEX ELECTRONIC TECHNOLOGIES, LLC AND SHOULD NOT BE USED WITHOUT WRITTEN PERMISSION												
DIMENSION UNITS IN/MM		SCALE 2:1		CURRENT REV DESC: REMOVED OBSOLETE PART NUMBER AS PER PCN#510806.				molex				
GENERAL TOLERANCES (UNLESS SPECIFIED)				EC NO: 733771								
				DRWN: SANTHN 2023/01/24				BLC ADAPTER ASSEMBLY (4 POSITION)				
				CHK'D: GGA 2023/02/24				PRODUCT CUSTOMER DRAWING				
				APPR: GGA 2023/02/24				DOCUMENT NUMBER				
				INITIAL REVISION:				SD-106144-XX00		PSD	001	B2
				DRWN: PGIBLIN 2005/10/20				DOCTYPE	DOCPART	REVISION		
				ANGULAR TOL ± 0.5°				MATERIAL NUMBER	CUSTOMER	SHEET NUMBER		
DRAFT WHERE APPLICABLE MUST REMAIN WITHIN DIMENSIONS		THIRD ANGLE PROJECTION		DRAWING		SERIES		SEE TABLE	GENERAL MARKET	1 OF 1		