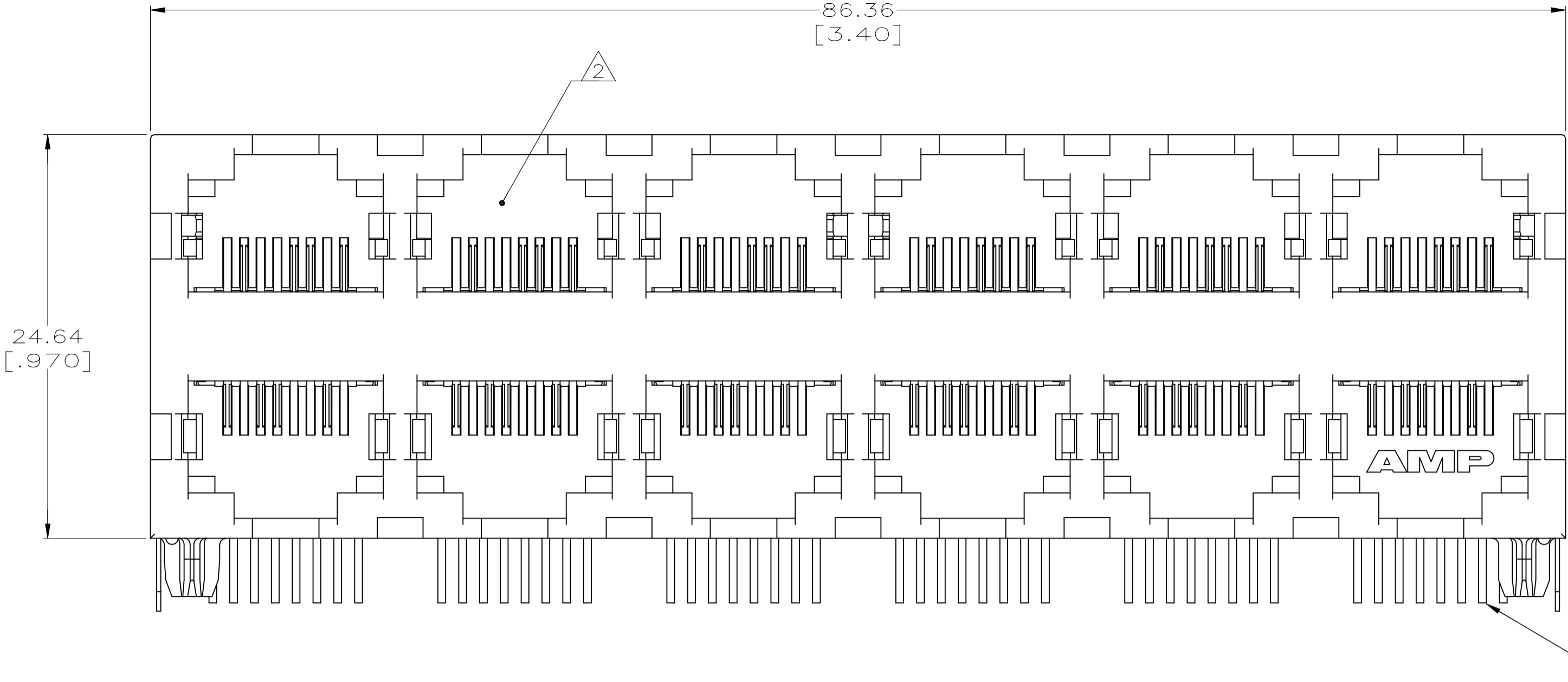
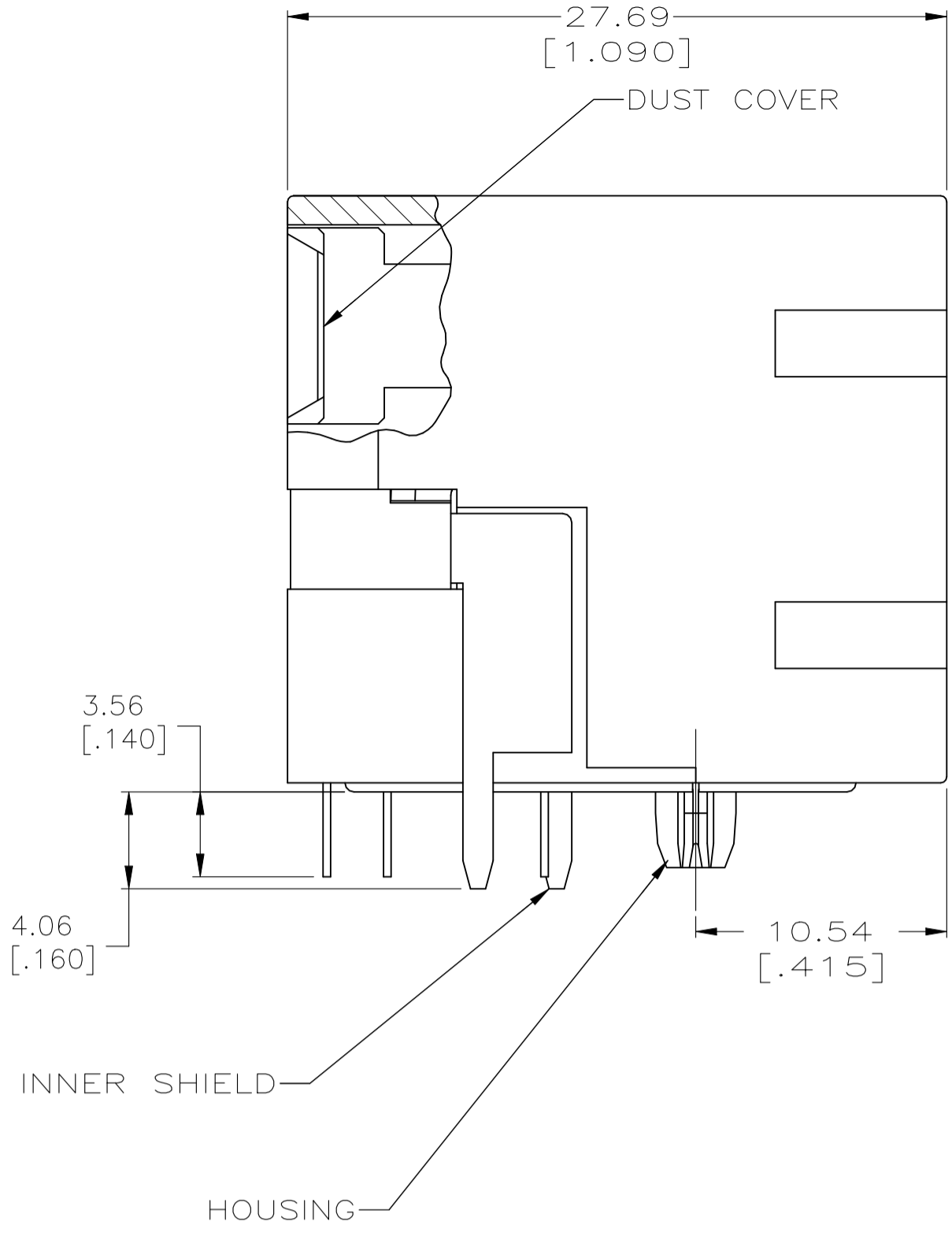
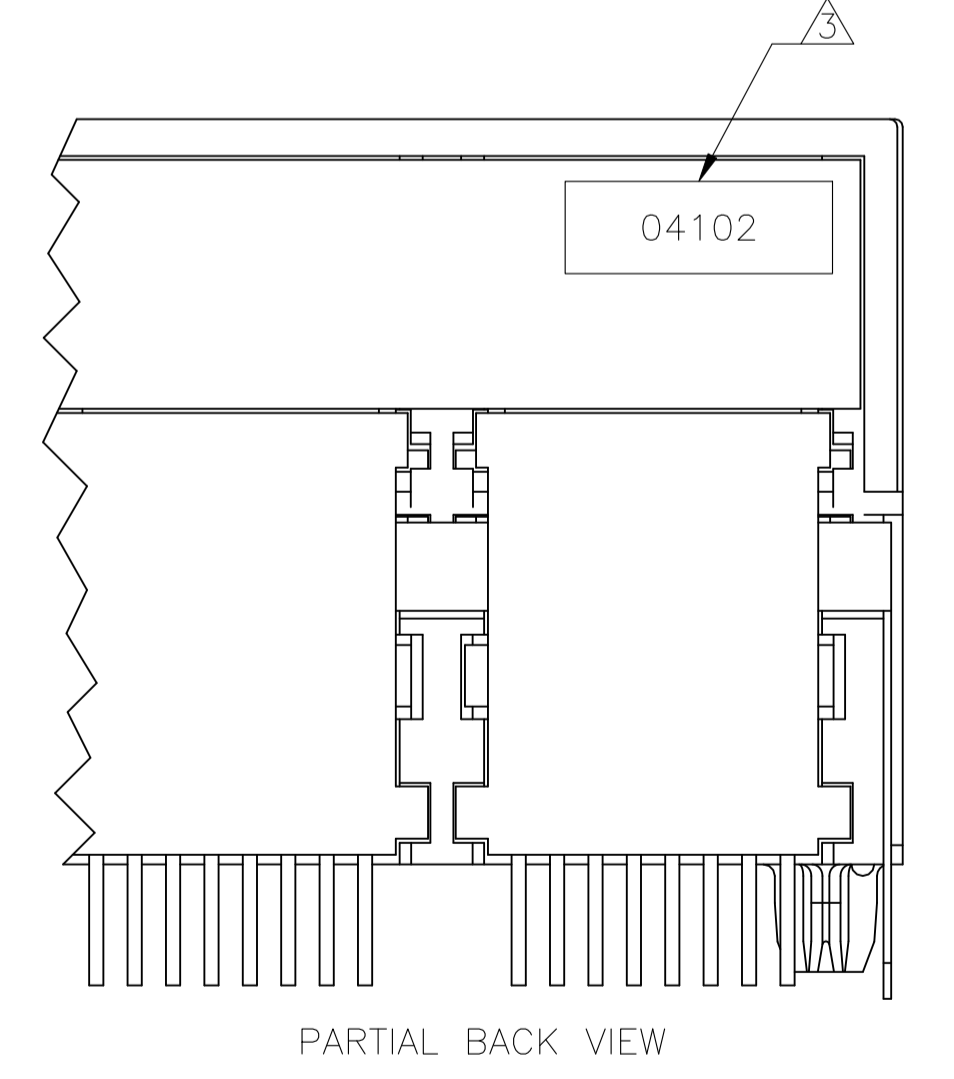
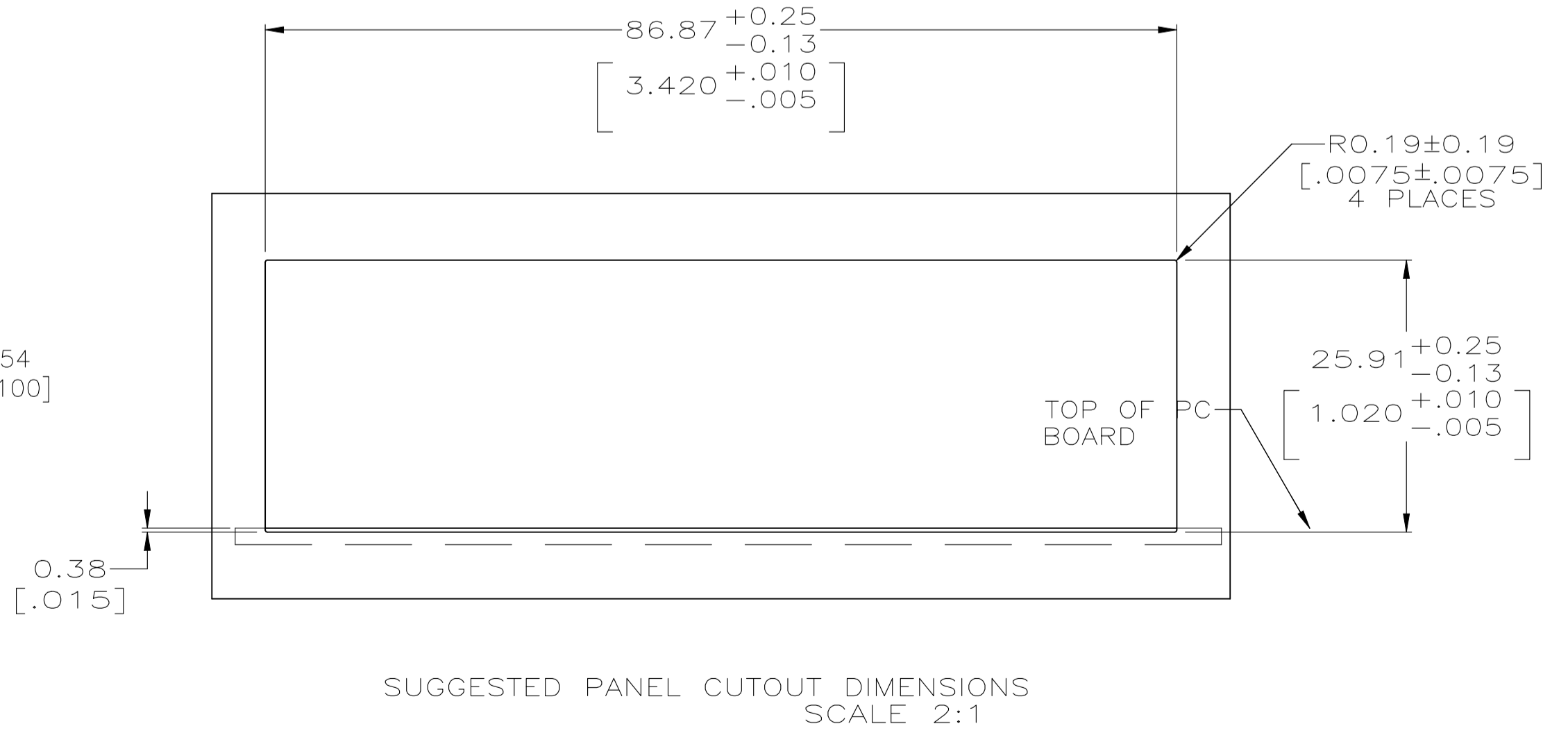
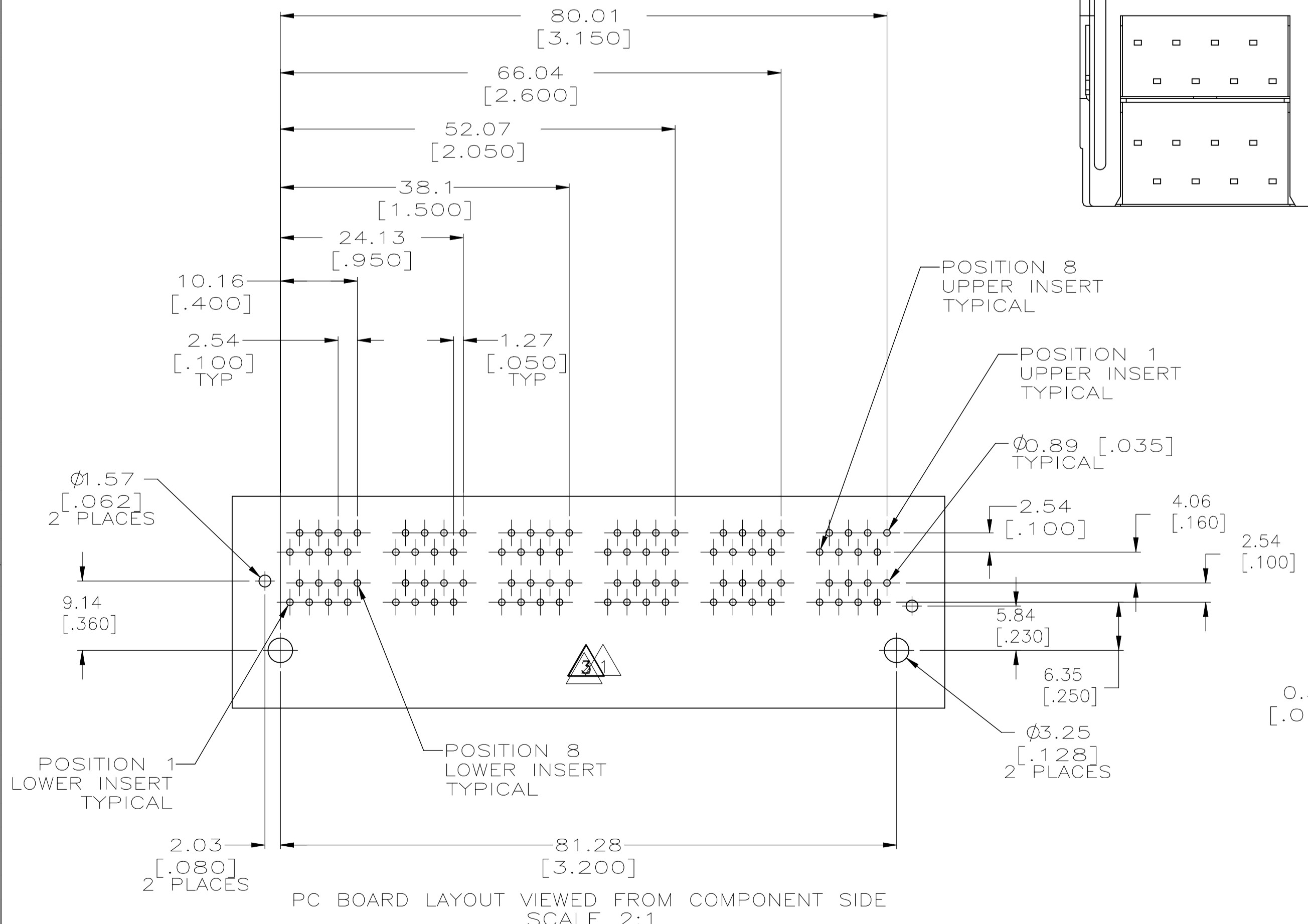
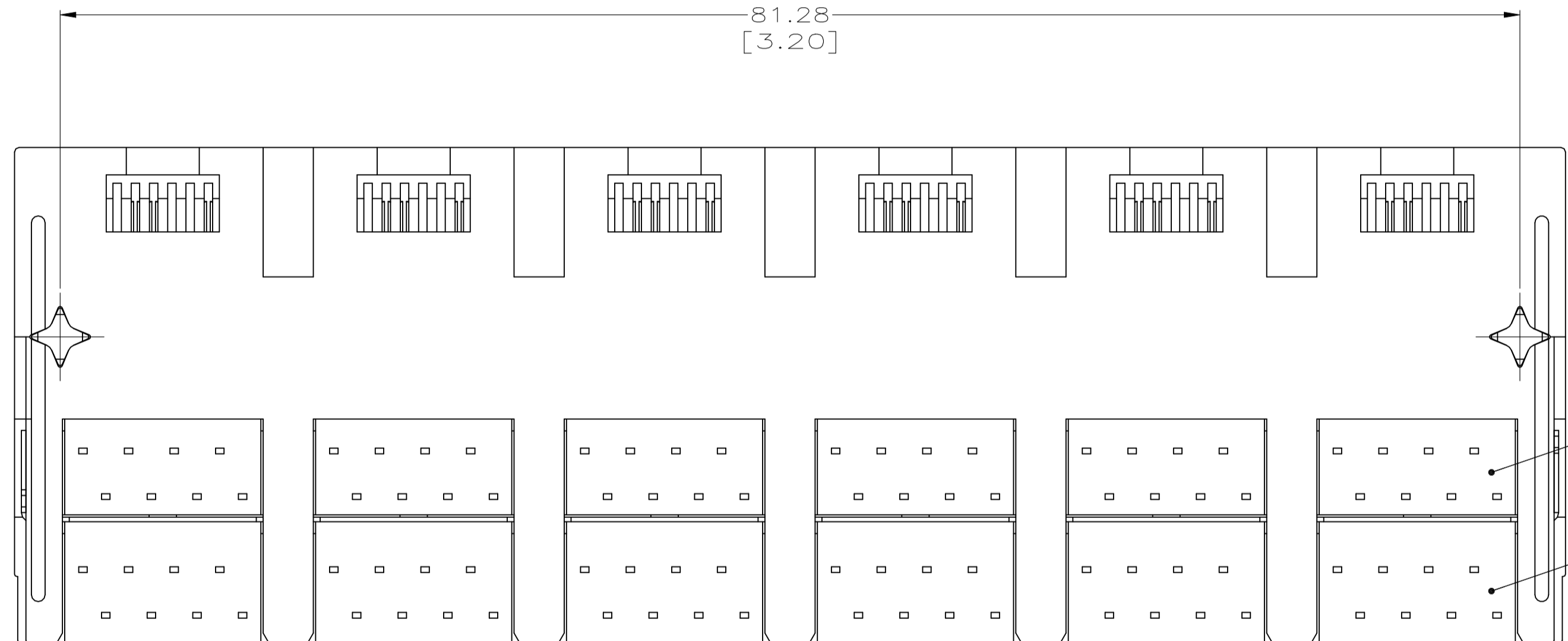


REVISIONS					
REV	DESCRIPTION	DATE	BY	CHK	APPV
A1	REVISED AS PER ECR-23-169440	19APR2023	JK	WH	



- 1 MATERIAL:  
HOUSING - PCT POLYESTER, BLACK, UL94V-0.  
OVERMOLDED TERMINAL ARRAY - PBT, BROWN.  
TERMINALS - 0.33 [.013] THICK PHOS BRONZE PLATED WITH 1.27µm [.000050] MIN THICK HARD GOLD IN LOCALIZED AREA AND 3.81µm [.000150] MIN THICK MATTE TIN IN SOLDER AREA OVER 1.27µm [.000050] MIN THICK NICKEL UNDERPLATE.  
OUTER SHIELD AND INNER SHIELD - 0.25 [.010] THICK COPPER ALLOY PLATED WITH 2.03µm [.000080] MIN BRIGHT TIN OVER 1.27µm [.000050] MIN NICKEL.
- 2 JACK CAVITY CONFORMS TO FCC RULES AND REGULATIONS, PART 68 SUBPART F.
- 3 DATE CODE LOCATED ON REAR OF PART APPROXIMATELY AS SHOWN:  
FIRST 2 DIGITS ARE LAST 2 DIGITS OF YEAR,  
SECOND 2 DIGITS ARE MANUFACTURING WORK WEEK,  
LAST DIGIT IS DAY OF WEEK, WITH SUNDAY = 1.



PC BOARD LAYOUT VIEWED FROM COMPONENT SIDE SCALE 2:1

SUGGESTED PANEL CUTOUT DIMENSIONS SCALE 2:1

PARTIAL BACK VIEW

5569253-1  
PART NUMBER

THIS DRAWING IS A CONTROLLED DOCUMENT.		DWG: R. GRZYBOWSKI	OSNOVOS	TE Connectivity	
DIMENSIONS: mm [INCHES]		CHK: J. WESTMAN	OSNOVOS		
TOLERANCES UNLESS OTHERWISE SPECIFIED:		APPV: S. FLICKINGER	OSNOVOS	NAME: STACKED MODULAR JACK ASSEMBLY, 2 X 6 PORT, 8 POSITION, UNSHIELDED, CATEGORY 5	
0. PLC ± -		PRODUCT SPEC: 108-1163-2		SIZE: 114-2048	
1. PLC ± -		APPLICATION SPEC: 114-2048		RESTRICTED TO: -	
2. PLC ± 0.25(.01)		WEIGHT: 0.000000		SCALE: 4:1	
3. PLC ± 0.13(.005)		CUSTOMER DRAWING		SHEET 1 of 1	
4. PLC ANGLES ± -		DRAWING NO: 00779		REV: A1	
MATERIAL: △	FINISH: △	CAGE CODE: 5569253		SCALE: 4:1	