



Base Station Antenna Ground Plane Converter Kit NMO Mount/N Type Connectors

Antennas Technical Data Sheet

PE51AK1004

Features

- Base Station Ground Plane Kit
- Mobile NMO Antenna to Base Station Conversion
- Directly Mounts to 1.6" to 2.5" Mast Diameter
- High Grade 316 Stainless Steel and Nickel Plated Brass Construction Provides Durability and Resistance to Environmental Corrosion

Applications

- LPWAN/IOT
- Unlicensed IMS band
- Cellular

Description

The Base Station Ground Plane Kit provides for the conversion of mobile 800 and 900 MHz NMO antennas into base station antennas with a type N jack connector. This Product is designed for customers who are looking for a lower cost base station antenna option without sacrificing quality. Additionally, the base station kit is manufactured with high grade 316 stainless steel and nickel plated brass construction, providing durability and resistance to environment corrosion.

Note: NMO Antenna Sold Separately. Mounting Mast not included.

Configuration

Design	Base Station
Band Type	Dual
Connector Type	NMO Mount
Interface 2	N

Electrical Specifications

Description	Minimum	Typical	Maximum	Units
Frequency Band 1		800		MHz
Frequency Band 2		900		MHz
Input VSWR			1.2:1	
Impedance		50		Ohms
Input Power			200	Watts

Mechanical Specifications

Dialectric Insulation	Teflon
Mounting Application	Mast Mount

Size

Overall Length	8 in [203.2 mm]
Width	10.83 in [275.08 mm]
Mounting Mast Diameter	1.6 to 2.5 in [40.64 to 63.50 mm]
Weight	10.09 lbs [4.58 kg]

Click the following link (or enter part number in "SEARCH" on website) to obtain additional part information including price, inventory and certifications: [Base Station Antenna Ground Plane Converter Kit NMO Mount/N Type Connectors PE51AK1004](#)



Base Station Antenna Ground Plane Converter Kit NMO Mount/N Type Connectors

Antennas Technical Data Sheet

PE51AK1004

Connectors

Description	Connector 1	Connector 2	Connector 3
Outer Conductor Material and Plating	Brass, Nickel	Brass, Nickel	
Threads	1-1/8-18 UNEF-2A	5/8-24 UNEF-2A	

Environmental Specifications

Temperature

Operating Range

-40 to +85 deg C

Storage Range

-40 to +85 deg C

Compliance Certifications (see [product page](#) for current document)

Plotted and Other Data

Notes:

Base Station Antenna Ground Plane Converter Kit NMO Mount/N Type Connectors from Pasternack Enterprises has same day shipment for domestic and International orders. Our RF, microwave and millimeter wave products maintain a 99.4% availability and are part of the broadest selection in the industry.

Click the following link (or enter part number in "SEARCH" on website) to obtain additional part information including price, inventory and certifications: [Base Station Antenna Ground Plane Converter Kit NMO Mount/N Type Connectors PE51AK1004](#)

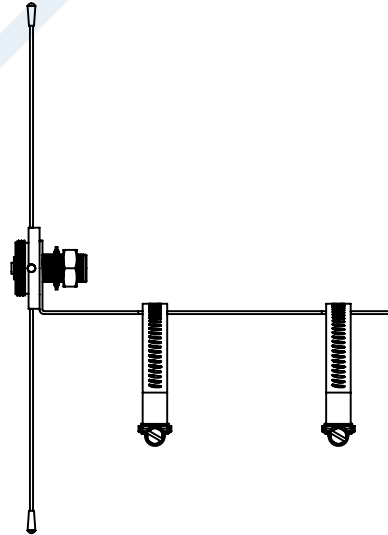
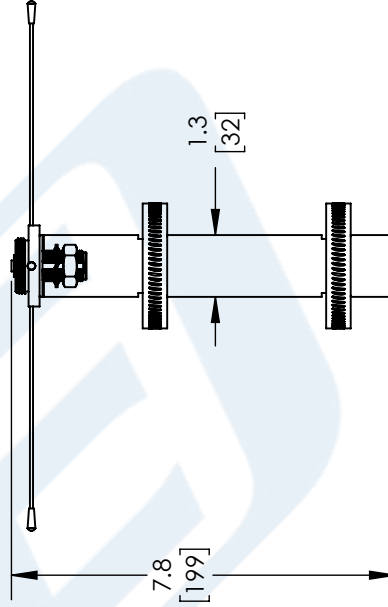
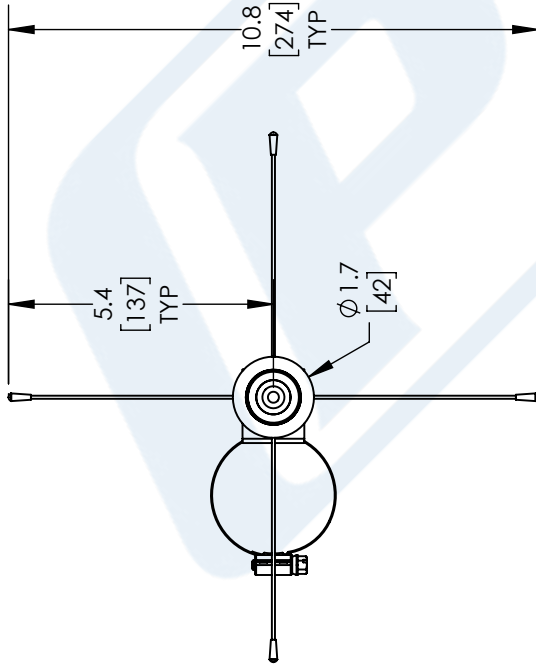
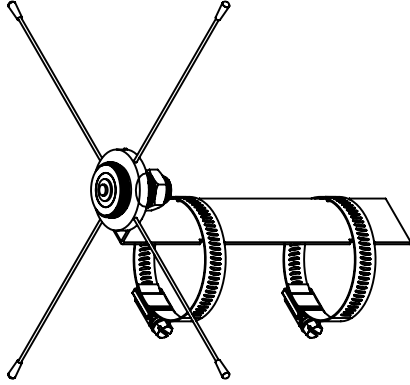
URL: <https://www.pasternack.com/dual-antenna-0-gain-nmo-mount-pe51ak1004-p.aspx>

The information contained in this document is accurate to the best of our knowledge and representative of the part described herein. It may be necessary to make modifications to the part and/or the documentation of the part, in order to implement improvements. Pasternack reserves the right to make such changes as required. Unless otherwise stated, all specifications are nominal. Pasternack does not make any representation or warranty regarding the suitability of the part described herein for any particular purpose, and Pasternack does not assume any liability arising out of the use of any part or documentation.

PE51AK1004 CAD Drawing

Base Station Antenna Ground Plane Converter Kit NMO Mount/N Type Connectors

REVISIONS			
REV.	DESCRIPTION	DATE	APPROVED
A	INITIAL RELEASE	08/07/2019	MMILLER



UNLESS OTHERWISE SPECIFIED
LEADING DIMENSIONS ARE INCHES
DIMENSIONS IN [] ARE MILLIMETERS

TOLERANCES:
X±.2 [5.08] FRACTIONS
XX±.01 [.25] ±1/32
XXX±.005 [0.13] ANGLES ± 1°

ALL DIMENSIONS SHOWN
ARE FOR REFERENCE ONLY.

THIRD-ANGLE PROJECTION



Pasternack Enterprises, Inc.
P. O. Box 16759, Irvine, CA 92623.
Phone: 1.949.261.1920 | 1.866.727.8376
Fax: 1.949.261.7451
www.pasternack.com | e-mail: sales@pasternack.com

SIZE [A] CAGE [53919] DRAWN BY [BPUCHASKI] PART NUMBER [PE51AK1004] REV [A]

THE INFORMATION AND DESIGN IN THIS DOCUMENT IS THE PROPERTY OF PASTERNAK CORPORATION. ALL RIGHTS RESERVED.

SHEET 1 OF 1
SCALE N/A

THESE COMMODITIES, TECHNOLOGY OR SOFTWARE WERE EXPORTED FROM THE UNITED STATES IN ACCORDANCE WITH THE EXPORT ADMINISTRATION REGULATIONS. DIVERSION CONTRARY TO U.S. LAW PROHIBITED.