

PART NAME: KNOB

SCALE: 4:1

DATE: 12/22/08

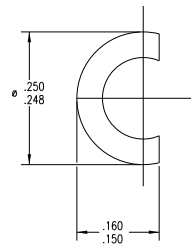
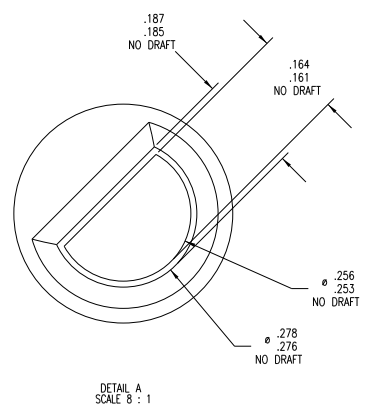
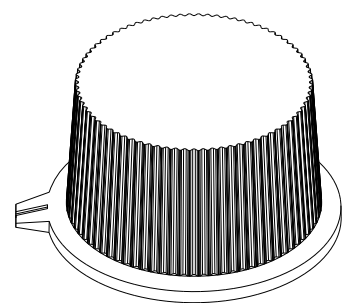
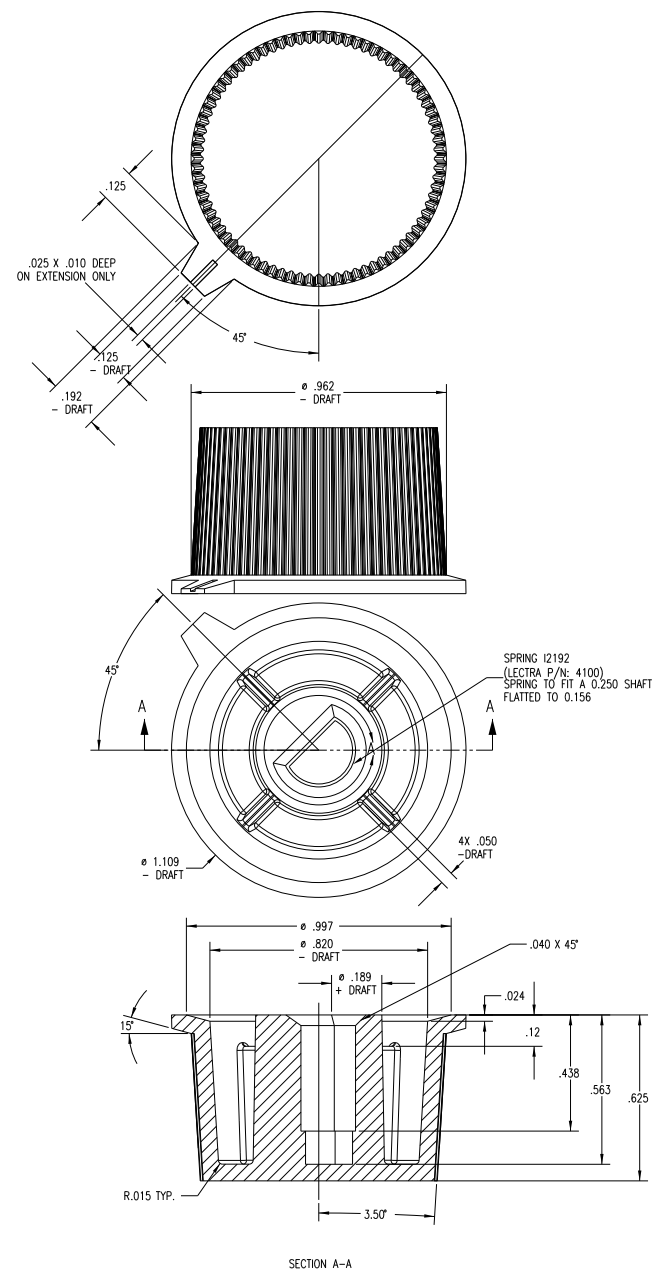
DR. BY: JAM



P/N: 2200-A

THIS DRAWING IS THE PROPERTY OF DAVIES MOLDING COMPANY, IS SUBMITTED SOLELY AS A DESIGN OR ENGINEERING PROJECT WE ACCEPT NO RESPONSIBILITY WHATSOEVER FOR THE PRACTICAL APPLICATION OF THE PIECES MADE TO THIS DESIGN.

| | |
|-----------|---------|
| BASE PART | 2200-02 |
| SPRING | I2192 |



SHAFT DETAIL
KNOB WITH SHAFT CLIP TO RETAIN THERMOSTAT
SHAFT WITH DIMENSIONS AND TOLERANCES AS SHOWN.

MATERIAL # MATERIAL DESCRIPTION
M2813-9999 ABS, TERLURAN GP22 BLACK (AB4)

| | | | | | |
|--|-------------------------|---|-----------------|-----|--------|
| TOLERANCES: UNLESS OTHERWISE SPECIFIED | DO NOT SCALE DRAWING | | | | |
| DECIMALS: X.XXX ± .015 X.XX ± .030 X.X ± .1 | | | | | |
| > < INDICATES AUDIT PARAMETER () INDICATES REFERENCE DIMENSION | ANG. ± 1° | A | ADDED BASE PART | JAM | 4/2/14 |
| CHANGES | | | | | |