

6

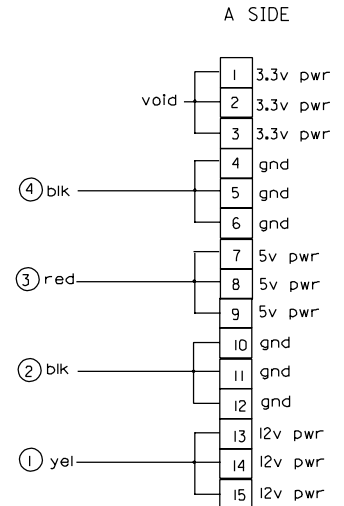
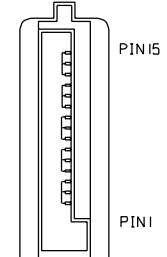
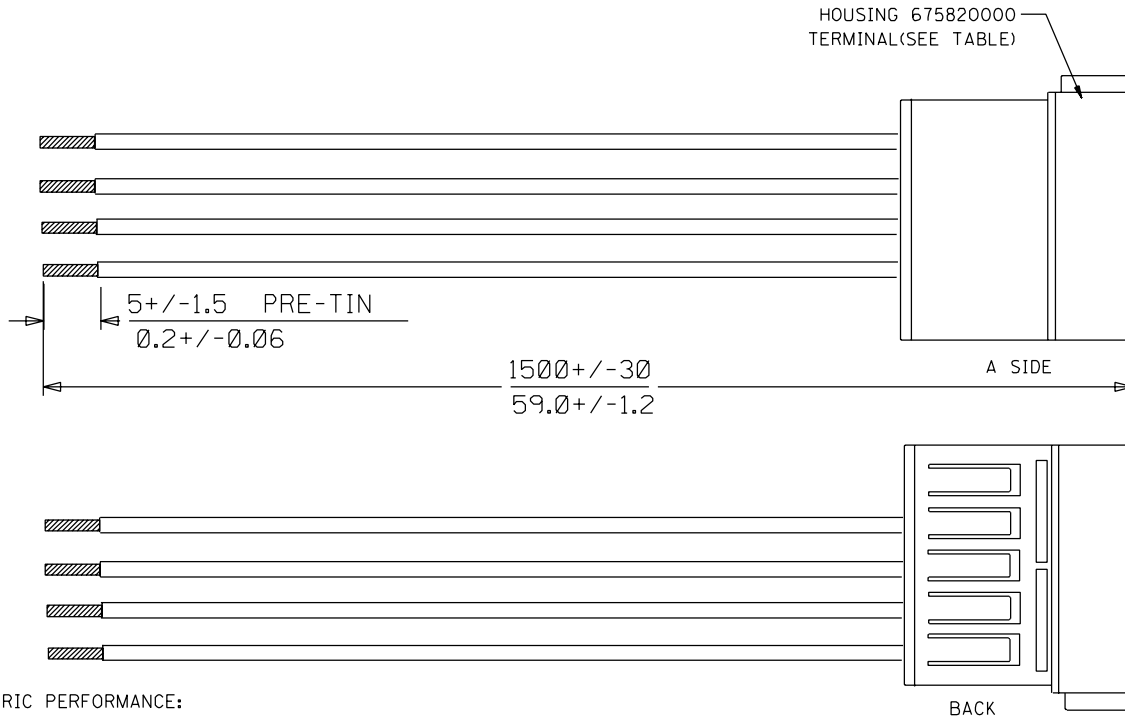
5

4

3

2

1



NOTE: 1. ELECTRIC PERFORMANCE:
 DIELECTRIC STRENGTH: 500 V DC/0.01Sec.
 INSULATION RESISTANCE: 100M OHMS Min.
 CONDUCTIVE RESISTANCE: 2 OHMS Max.
 2. HOUSING 675820000:
 POLYESTER(PBT), UL94V-0(BLACK)

887511411	675810001 30u" Gold-plated
887511410	675810000 GOLD FLASH
MATERIAL NO.	TERMINAL

TABLE

4	UL1007 #18 BLK 887711300
3	UL1007 #18 RED 887711301
2	UL1007 #18 BLK 887711300
1	UL1007 #18 YEL 887711303
Item	WIRE TYPE

CONNECTION DIAGRAM			
DIMENSIONS:		SHT	REV
<input checked="" type="checkbox"/> mm	<input type="checkbox"/> INCH	<input type="checkbox"/> mm	<input type="checkbox"/> ONLY
		REVISE ON CAD ONLY	

EC NO. DRWN: Louis 04/03/23 CHK: APPR:	EC NO. DG2003-0009 DRWN: BENTZ 03/04/07 CHK: BENTZ 03/04/07 APPR: BOCHEN 03/04/07	EC NO. DG2003-0005 DRWN: BENTZ 02/08/08 CHK: BENTZ 02/08/08 APPR: TONY 02/08/08	DESCRIPTION REV
C	B	A	

QUALITY SYMBOLS MAJOR ▼ = 0 CRITICAL ▽ = 0	GENERAL TOLERANCES: (UNLESS SPECIFIED)		SCALE	DESIGN UNITS <input checked="" type="checkbox"/> mm <input type="checkbox"/> INCH	THIRD ANGLE PROJECTION <input checked="" type="checkbox"/> <input type="checkbox"/>
		mm	INCH	DRAWN BY & DATE BENTZ 02/08/08	TITLE: S-ATA POWER to PIGTAIL CABLE ASSEMBLY 1.5M (5V+12V)
	4 PLACES	±0.	±.	CHECKED BY & DATE Tony Wong 02/08/08	MOLEX INCORPORATED
	3 PLACES	±0.	±.	APPROVED BY & DATE Tony Wong 02/08/08	
	2 PLACES	±0.	±.	CAD FILENAME S88755AB.S01	MATERIAL NO. SEE TABLE
1 PLACE	±0.	±.	DRAWING NO. SD-88755-002	SHEET NO. 1 OF 1	
	ANGULAR: ± °		THIS DRAWING CONTAINS INFORMATION THAT IS PROPRIETARY TO MOLEX INCORPORATED AND SHOULD NOT BE USED WITHOUT WRITTEN PERMISSION.		

THIS DRAWING CONTAINS INFORMATION THAT IS PROPRIETARY TO MOLEX INCORPORATED AND SHOULD NOT BE USED WITHOUT WRITTEN PERMISSION.			SIZE A4
--	--	--	------------